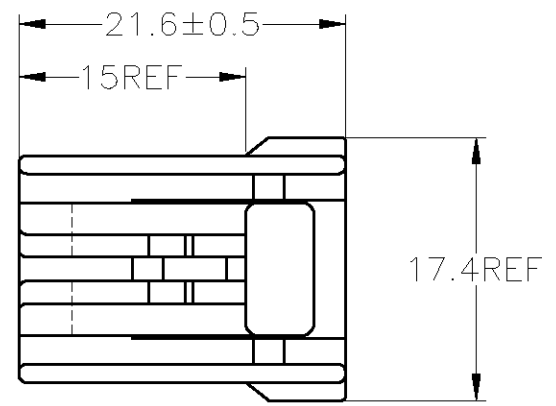
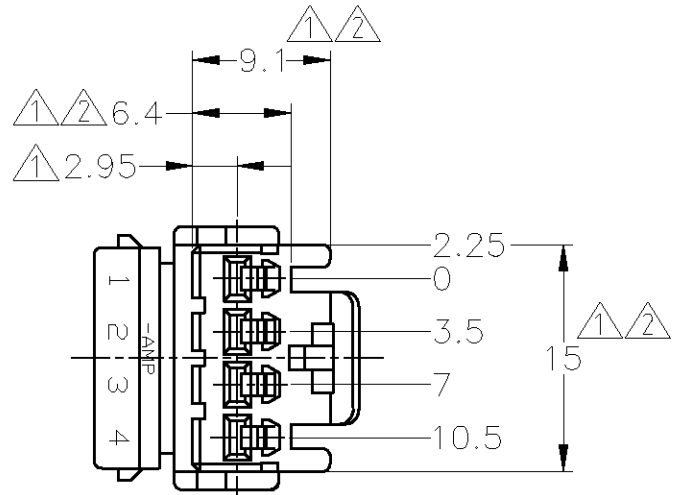


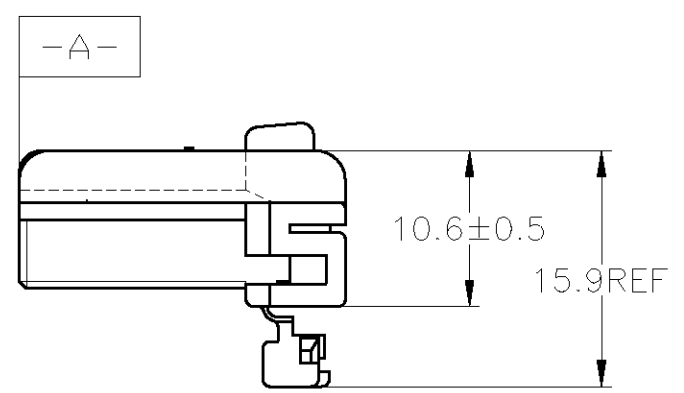
THIS DRAWING IS UNPUBLISHED. RELEASED FOR PUBLICATION  
 © COPYRIGHT - By - ALL RIGHTS RESERVED.

LOC	DIST	REVISIONS					
J	-	P	LTR	DESCRIPTION	DATE	DWN	APVD
		B2		REDRAWN W/CHANGE	ECR-12-021403	13DEC2012	TS KB



- ▲ MUST BE KEPT BETWEEN [-A-] AND 2
- ▲ TO BE MATED WITH THE CAP HOUSING SMOOTHLY
- 3. APPLIED RECEPTACLE CONTACT PART NUMBER; 173630 AND 173631
- 4. APPLIED CAP HOUSING; 174929

- ▲ [-A-] 面より2mmの範囲で測定
- ▲ 相手ハウジングと所定の機能を満足して嵌合できること
- 3. 内装するリセプタクルコンタクト型番173630 及び 173631
- 4. 嵌合相手ハウジング型番; 174929



OBSOLETE	淡灰色 (LIGHT GRAY)	6-174922-6
	黄 (YELLOW)	174922-7
	灰 (GRAY)	174922-6
	青 (BLUE)	174922-5
	緑 (GREEN)	174922-4
	黒 (BLACK)	174922-2
	自然色 (NATURAL)	174922-1
	色 (COLOR)	型番 (PART NUMBER)

THIS DRAWING IS A CONTROLLED DOCUMENT.		DWN T.SHINOHARA 13DEC2012	<b>STE</b> TE Connectivity													
DIMENSIONS: 単位: 耗 mm		CHK K.BETSUI 13DEC2012														
TOLERANCES UNLESS OTHERWISE SPECIFIED: 一般公差		APVD K.BUTSUI 13DEC2012	NAME 名称													
<table border="1"> <tr><td>0 PLC</td><td>± -</td></tr> <tr><td>1 PLC</td><td>± -</td></tr> <tr><td>2 PLC</td><td>± -</td></tr> <tr><td>3 PLC</td><td>± -</td></tr> <tr><td>4 PLC</td><td>± -</td></tr> <tr><td>ANGLES</td><td>± -</td></tr> </table>		0 PLC	± -	1 PLC	± -	2 PLC	± -	3 PLC	± -	4 PLC	± -	ANGLES	± -	PRODUCT SPEC 製品規格 108-5264	070 SERIES MULTI-LOCK CONNECTOR 4POSITION PLUG HOUSING	
0 PLC	± -															
1 PLC	± -															
2 PLC	± -															
3 PLC	± -															
4 PLC	± -															
ANGLES	± -															
MATERIAL 材料 PBT		APPLICATION SPEC 取付適用規格														
FINISH 仕上 -		WEIGHT -	SIZE A3	CAGE CODE 00779	DRAWING NO 番号 C-174922	RESTRICTED TO -										
TOLERANCES UNLESS OTHERWISE SPECIFIED: 一般公差		CUSTOMER DRAWING		SCALE 尺度 2:1	SHEET 1 OF 1	REV B2										
<table border="1"> <tr><td>10±</td><td>±0.2</td></tr> <tr><td>30±</td><td>&gt; 10 : ±0.25</td></tr> <tr><td>100±</td><td>&gt; 30 : ±0.3</td></tr> <tr><td>ANGLE</td><td>±3°</td></tr> </table>		10±	±0.2	30±	> 10 : ±0.25	100±	> 30 : ±0.3	ANGLE	±3°							
10±	±0.2															
30±	> 10 : ±0.25															
100±	> 30 : ±0.3															
ANGLE	±3°															

单击下面可查看定价，库存，交付和生命周期等信息

[>>TE Connectivity\(泰科\)](#)