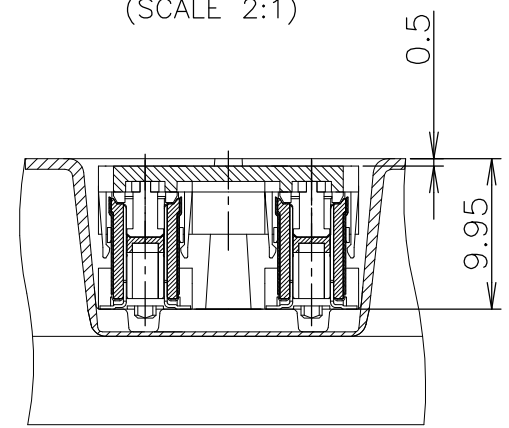
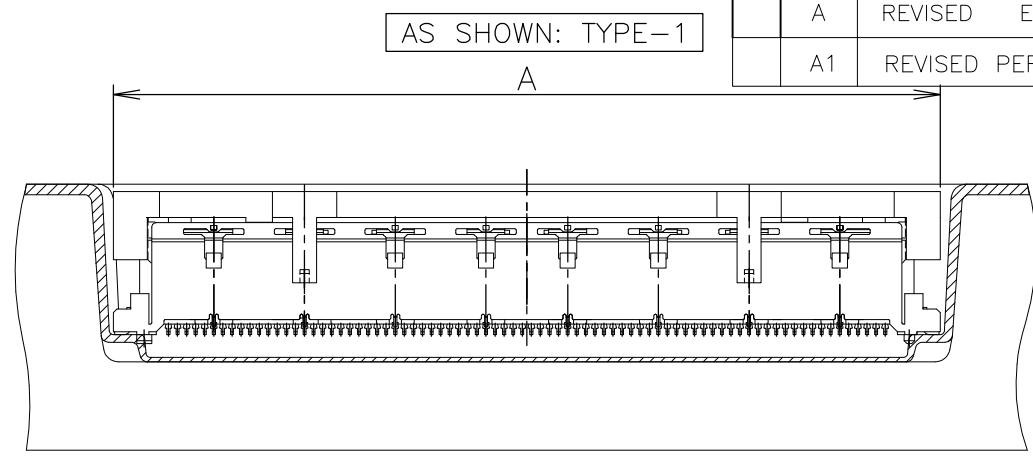
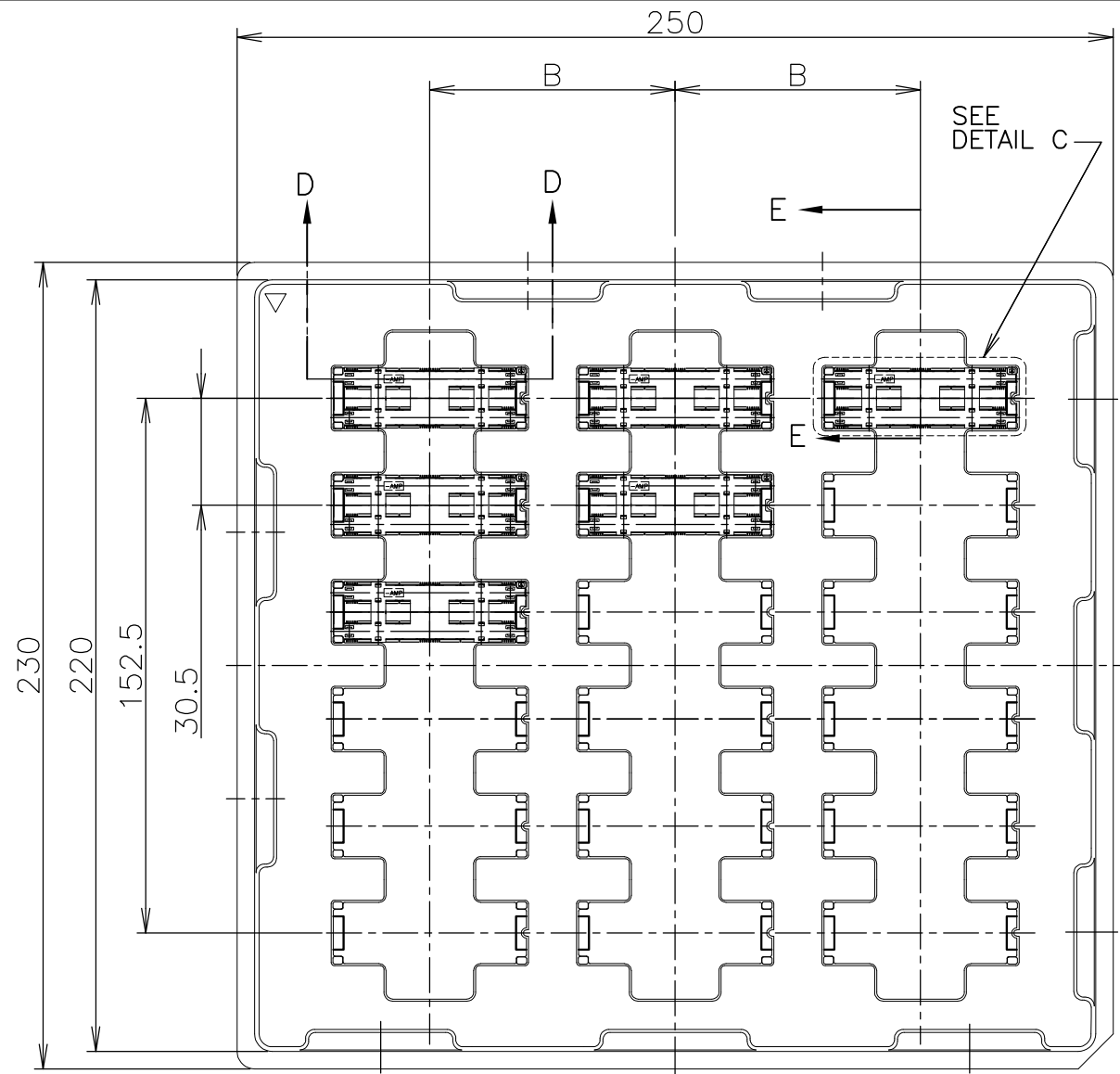


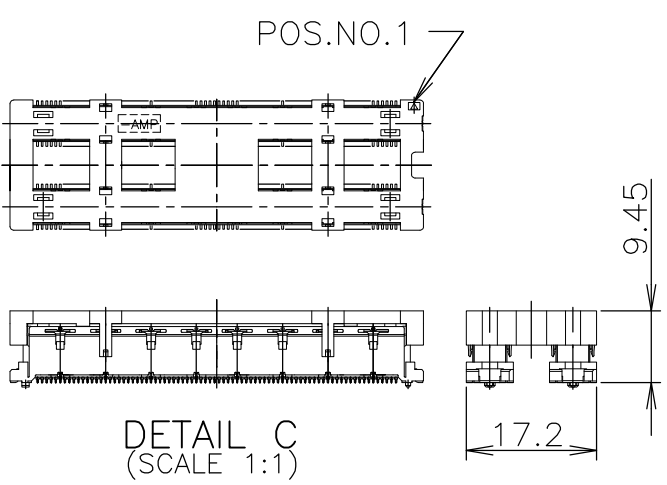
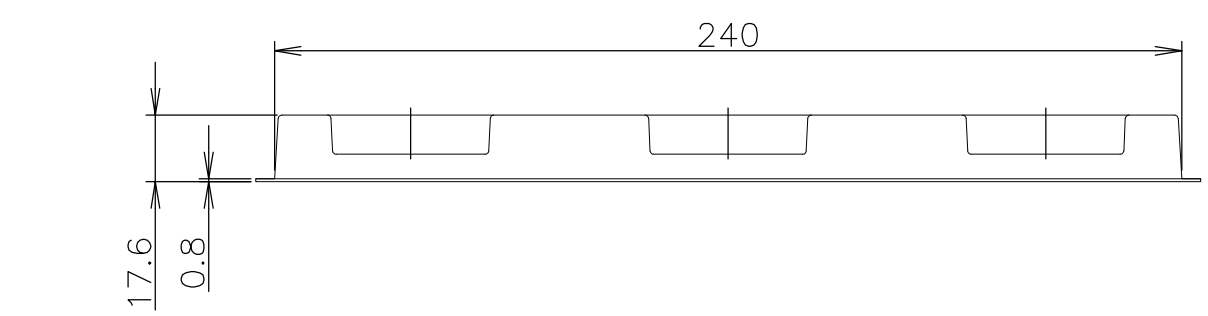
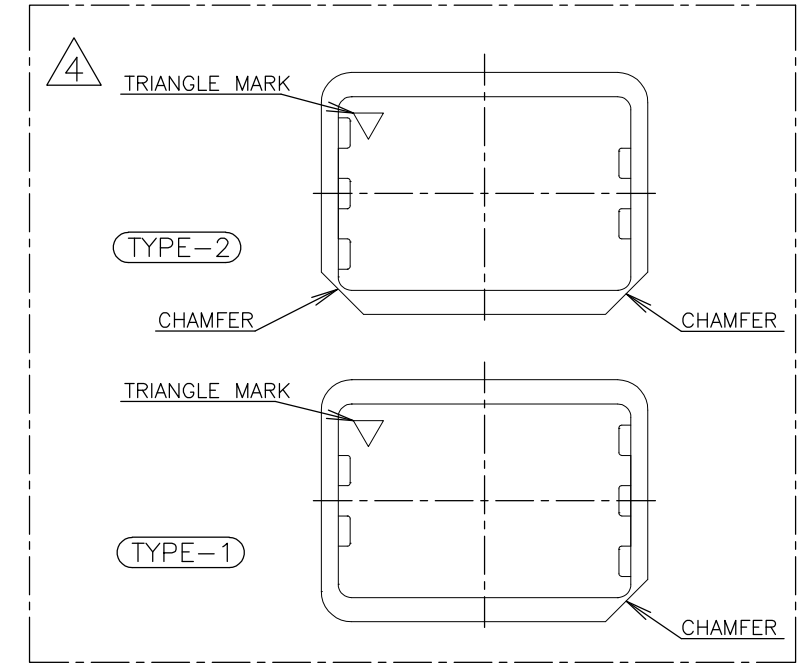
THIS DRAWING IS UNPUBLISHED. RELEASED FOR PUBLICATION NOV, 1998. ALL RIGHTS RESERVED.

© COPYRIGHT 1998 By -

REVISIONS		変更		DATE	DWN	APVD
P	LTR	DESCRIPTION				
	A	REVISED	ECR-08-000339	01FEB08	T.T	T.F
	A1	REVISED PER	ECO-16-002723	02FEB16	B.J	S.Y



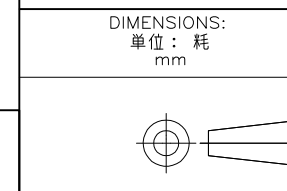
△ TRAY TYPE-1 AND TYPE-2 MUST BE PILED UP BY TURNS.
(REFER TO PACKING SPECIFICATIONS)



GENERAL TOLERANCE
一般公差

10 ≥	±0.2
30 ≥	>10: ±0.25
100 ≥	>30: ±0.3
ANGLES: ±3°	

THIS DRAWING IS A CONTROLLED DOCUMENT.



MATERIAL 材料

TOLERANCES UNLESS OTHERWISE SPECIFIED:
一般公差

0 PLC	± -
1 PLC	± -
2 PLC	± -
3 PLC	± -
4 PLC	± -
ANGLES	± -
FINISH	仕上

Ⓐ OBSOLETE

SEALANT	TOOLING STATUS	ROW	QTY	B	A	POS.	TRAY P/N	PART NO.
AVAILABLE		3	18	70	54.7	320	6-912069-9	6-6318154-1
NOT AVAILABLE		↑	↑	↑	48.7	280	6- -8	6- -0
NOT AVAILABLE		↓	↓	↓	42.7	240	6- -7	5- -9
NOT AVAILABLE		3	18	70	36.7	200	6- -6	5- -8
NON SEALANT		3	18	70	54.7	320	6- -9	1- -1
NON SEALANT		↑	↑	↑	48.7	280	6- -8	1- -0
NON SEALANT		↓	↓	↓	42.7	240	6- -7	- -9
NON SEALANT		3	18	70	36.7	200	6-912069-6	6318154-8

DWN	HAWKING HE	13DEC04
CHK	STEVEN YAO	13DEC04
APVD	I.ENOMOTO	13DEC04
PRODUCT SPEC	製品規格	108-60047
APPLICATION SPEC	取付適用規格	114-5255
WEIGHT		



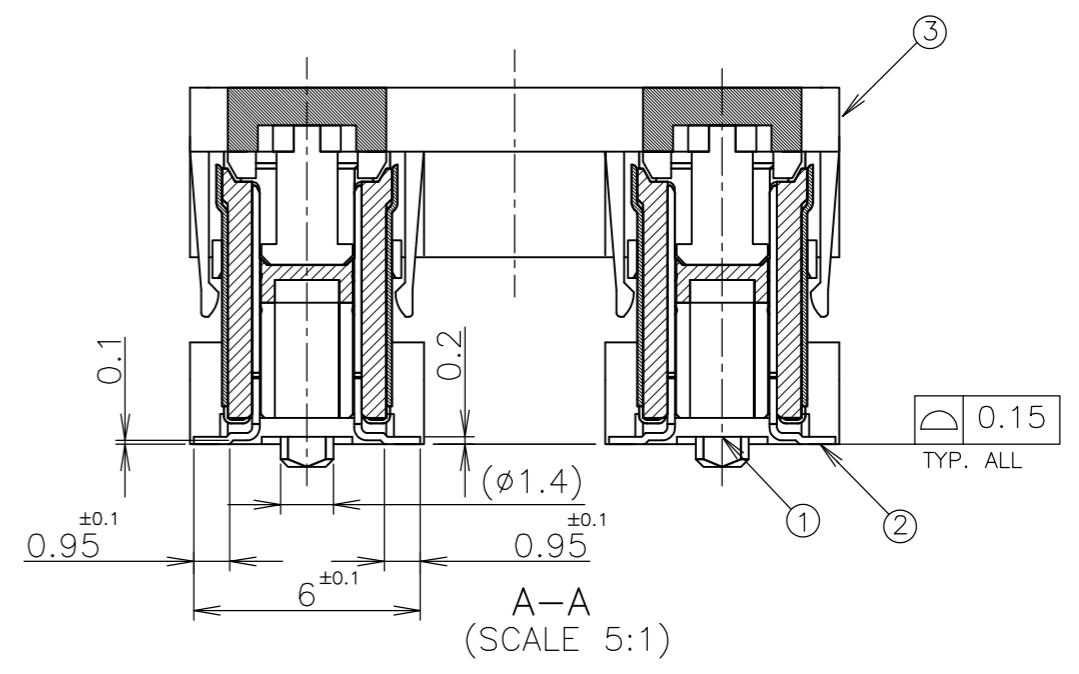
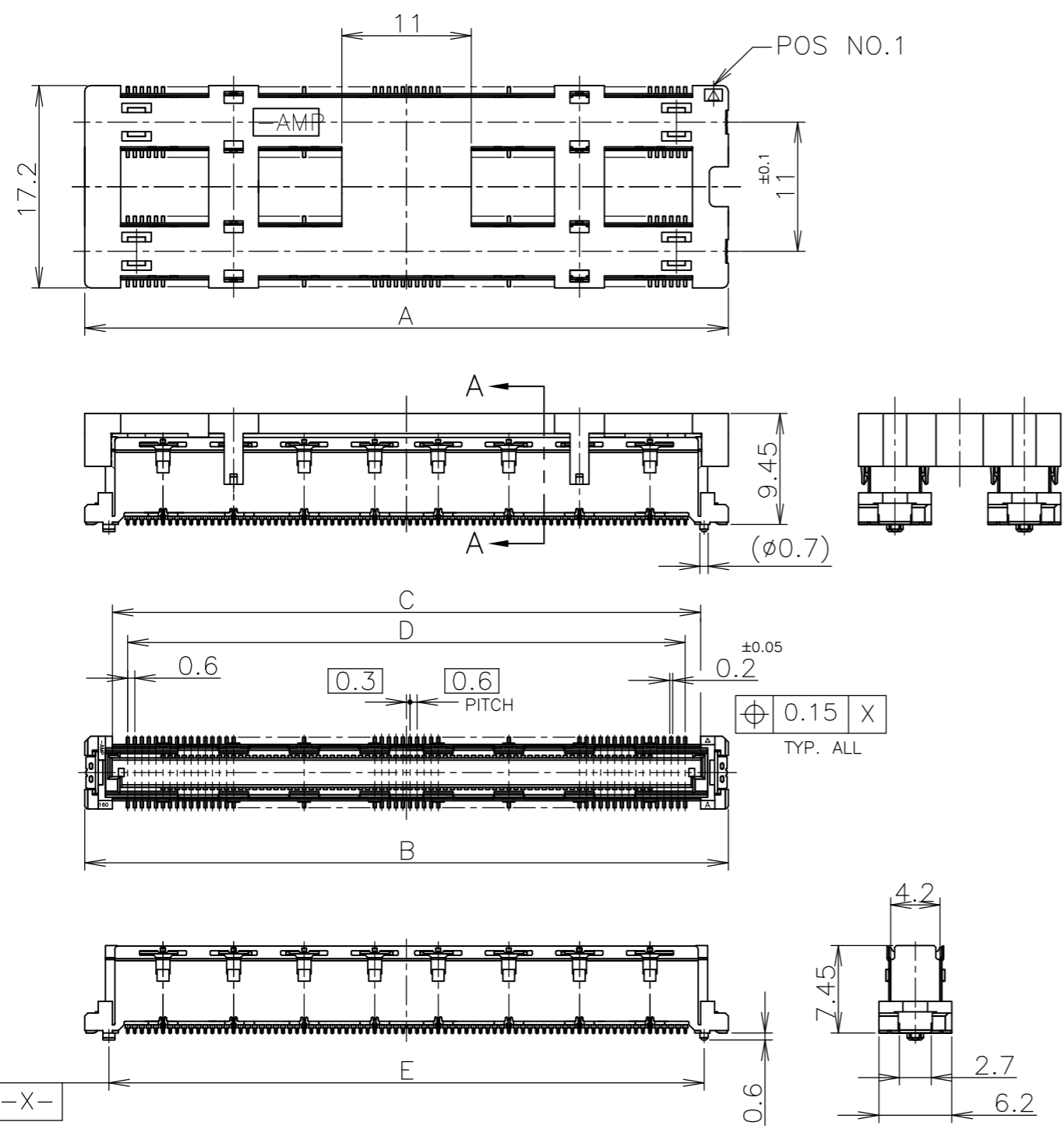
SOFT TRAY ASSY
FH 0.6BTB CONNECTOR
PLUG 8H W/G-PLATE 2ROW TYPE

SIZE	CAGE CODE	DRAWING NO	RESTRICTED TO
A3	00779	G-6318154	

CUSTOMER DRAWING SCALE 1:2 SHEET 1 OF 6 REV A1

THIS DRAWING IS UNPUBLISHED. RELEASED FOR PUBLICATION NOV, 1998.
 © COPYRIGHT 1998 By - ALL RIGHTS RESERVED.

REVISIONS 変更					
P	LTR	DESCRIPTION	DATE	DWN	APVD
-	-	SEE SHEET 1	-	-	-



- ① MATERIAL ; ① HOUSING : HIGH TEMP THERMO PLASTIC UL94V-0 (COLOR : NATURAL)
- ② CONTACT : COPPER ALLOY
- ③ CAP HOUSING : HIGH TEMP THERMO PLASTIC UL94V-0 (COLOR : BLACK)
- ② FINISH ; UNDER PL Ni 0.0013mm MIN ALL OVER.
CONTACT AREA 0.0002 MIN Au PL.
SOLDERING AREA 0.001 MIN TIN PL.
- ③ THIS POSITION IS GROUND CIRCUIT.

AVAILABLE	51.8	50.6	47.4	50	54.7	54.7	320	1-	-1
NOT AVAILABLE	45.8	44.6	41.4	44	48.7	48.7	280	1-	-0
NOT AVAILABLE	39.8	38.6	35.4	38	42.7	42.7	240		-9
NOT AVAILABLE	33.8	32.6	29.4	32	36.7	36.7	200		1318156-8
TOOLING STATUS	F	E	D	C	B	A	POS		CAP P/N

GENERAL TOLERANCE
一般公差

10 \geq : ± 0.2
 30 \geq >10: ± 0.25
 100 \geq >30: ± 0.3
 ANGLES: $\pm 3^\circ$

THIS DRAWING IS A CONTROLLED DOCUMENT.

DIMENSIONS: 单位: 耗 mm

TOLERANCES UNLESS OTHERWISE SPECIFIED: 一般公差

0 PLC	$\pm -$
1 PLC	$\pm -$
2 PLC	$\pm -$
3 PLC	$\pm -$
4 PLC	$\pm -$
ANGLES	$\pm -$

MATERIAL 材料

FINISH 仕上

STE TE Connectivity

NAME 名称

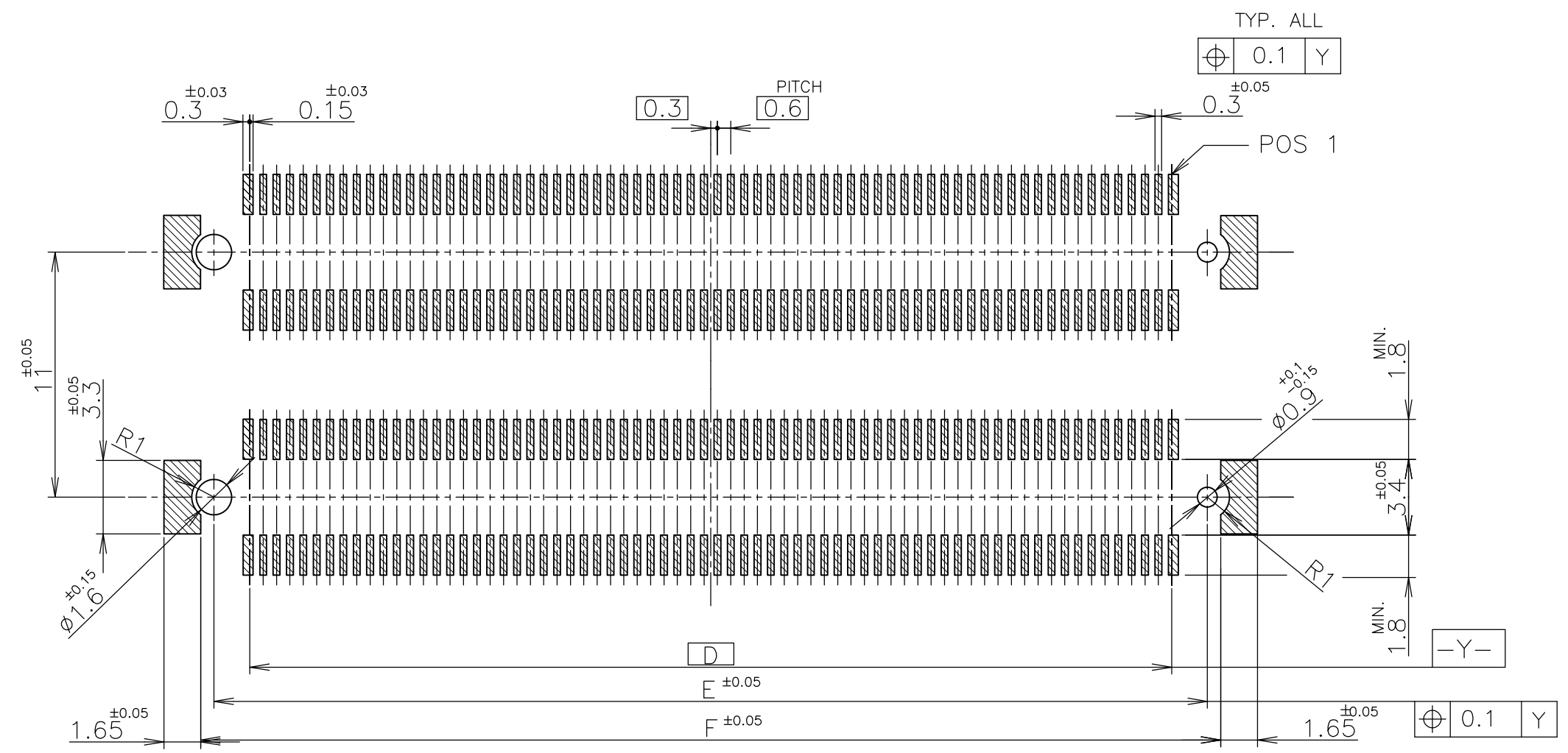
SOFT TRAY ASSY
FH 0.6BTB CONNECTOR
PLUG 8H W/G-PLATE 2ROW TYPE

SIZE A3 CAGE CODE 00779 DRAWING NO. G-6318154 RESTRICTED TO 番号

CUSTOMER DRAWING SCALE 尺度 2:1 SHEET 2 OF 6 REV A1

THIS DRAWING IS UNPUBLISHED. RELEASED FOR PUBLICATION NOV, 1998.
 © COPYRIGHT 1998 By - ALL RIGHTS RESERVED.

REVISIONS 変更				
P	LTR	DESCRIPTION	DATE	APVD
-	-	SEE SHEET 1	-	-



REFERENCE P.C.BOARD LAYOUT

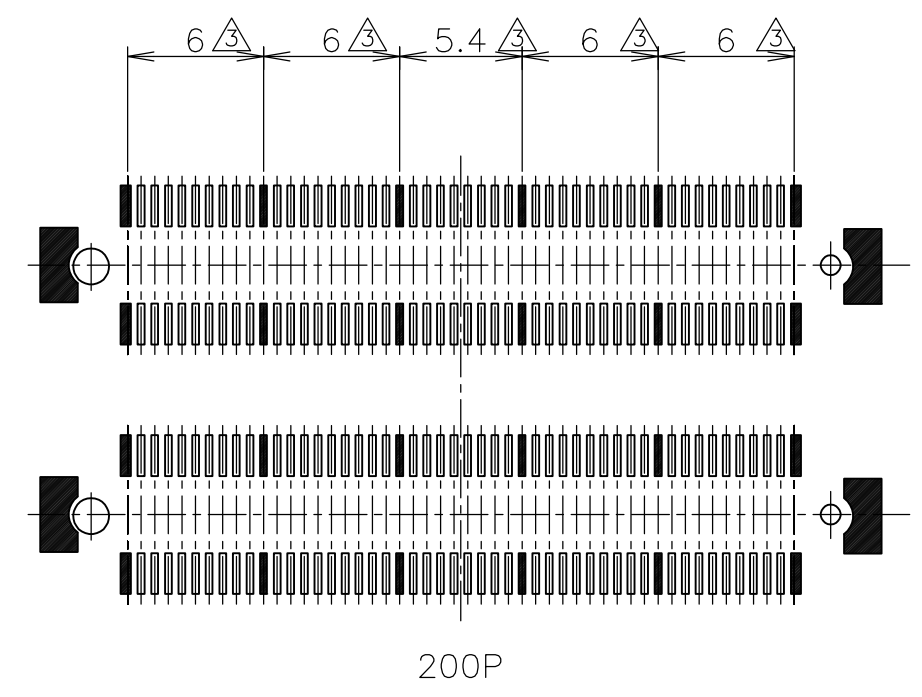
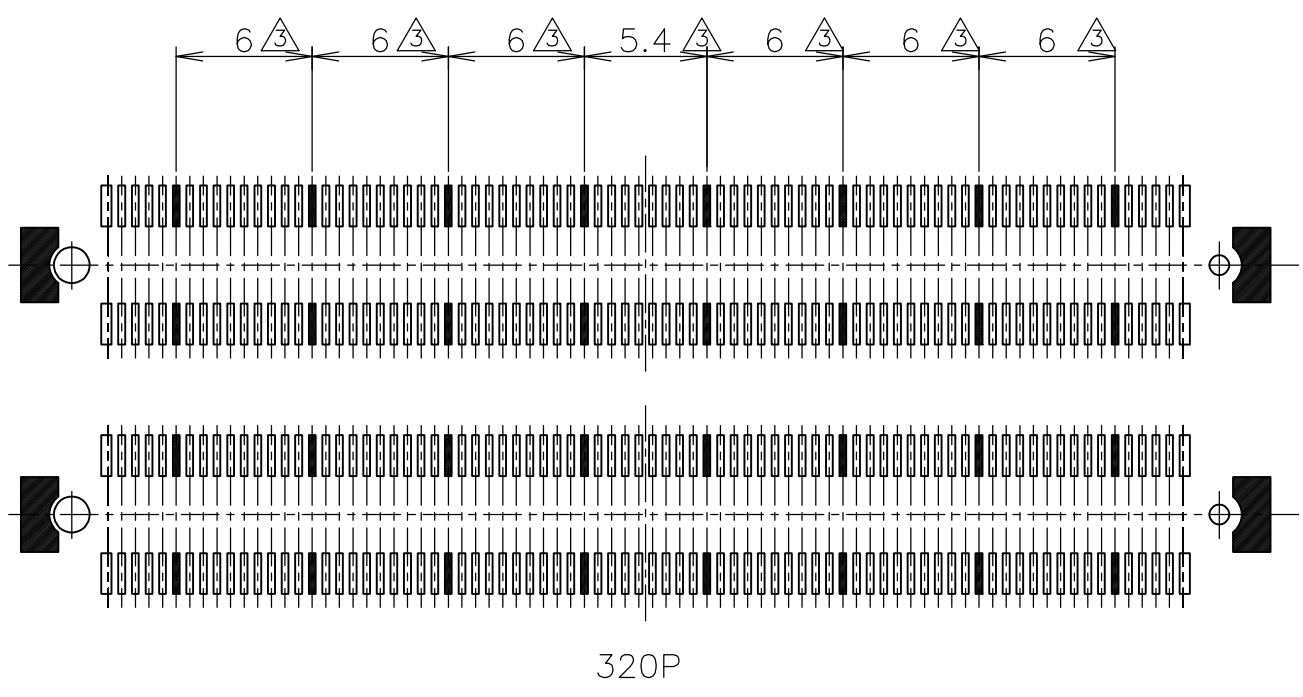
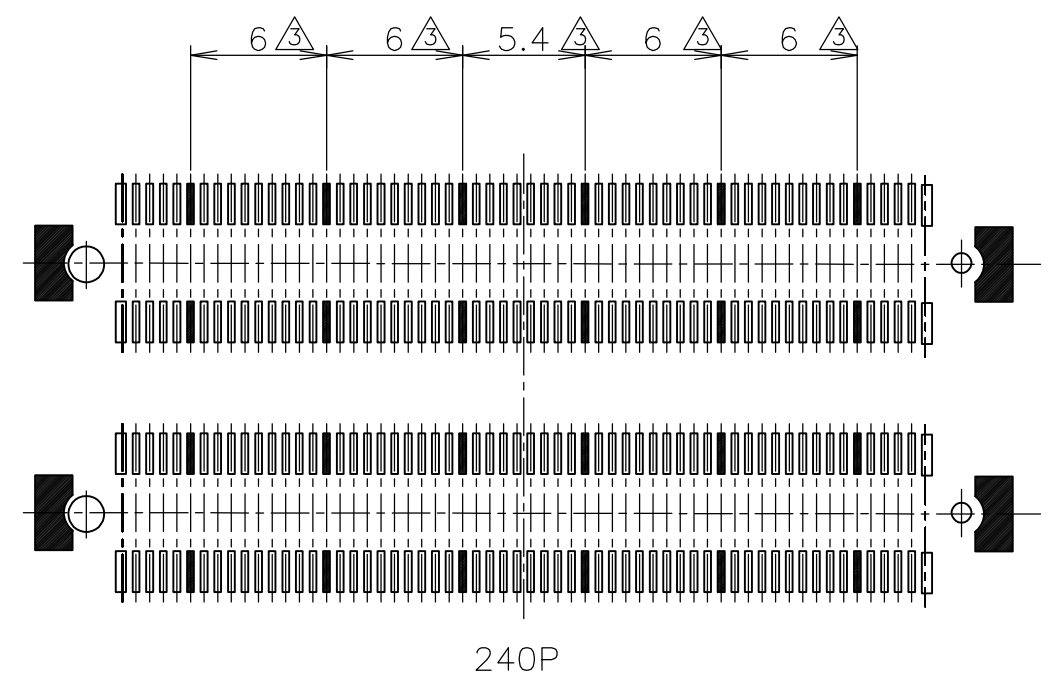
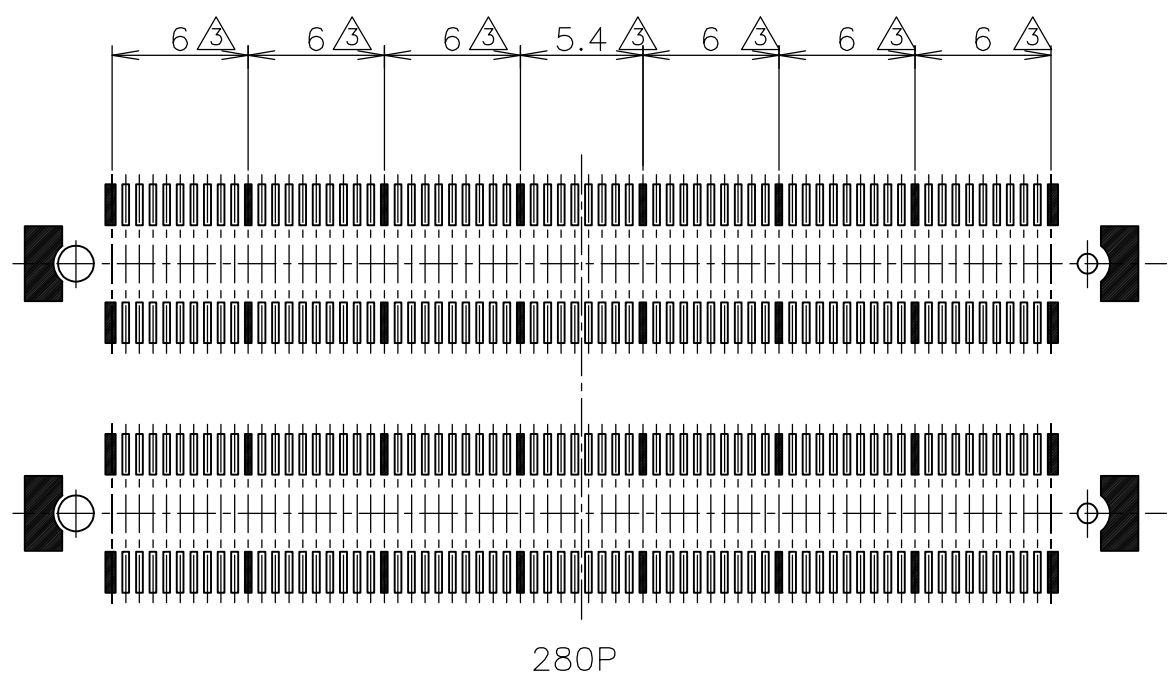
GENERAL TOLERANCE
一般公差

10 ≥ : ±0.2
 30 ≥ >10 : ±0.25
 100 ≥ >30 : ±0.3
 ANGLES : ±3°

THIS DRAWING IS A CONTROLLED DOCUMENT.		DWN	TE Connectivity		
DIMENSIONS: 単位: 耗 mm		CHK			
TOLERANCES UNLESS OTHERWISE SPECIFIED: 一般公差		APVD	NAME 名称		
0 PLC ± - 1 PLC ± - 2 PLC ± - 3 PLC ± - 4 PLC ± - ANGLES ± -		PRODUCT SPEC 製品規格	SOFT TRAY ASSY		
MATERIAL 材料		APPLICATION SPEC 取付適用規格	FH 0.6BTB CONNECTOR		
FINISH 仕上		WEIGHT	PLUG 8H W/G-PLATE 2ROW TYPE		
CUSTOMER DRAWING		SIZE	CAGE CODE	DRAWING NO 番号	RESTRICTED TO
SCALE 尺度 4:1		A3	00779	G-6318154	
SHEET 3 OF 6		REV A1			

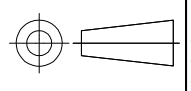
THIS DRAWING IS UNPUBLISHED. RELEASED FOR PUBLICATION NOV , 1998.
 © COPYRIGHT 1998 By - ALL RIGHTS RESERVED.

P		LTR	REVISIONS 変更	DATE	DWN	APVD
		-	DESCRIPTION SEE SHEET 1	-	-	-

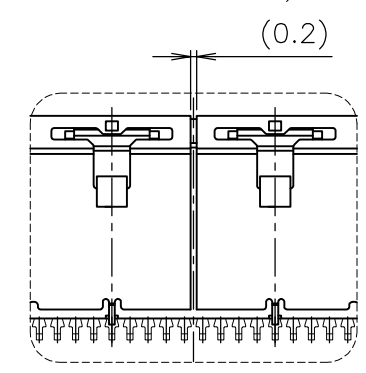
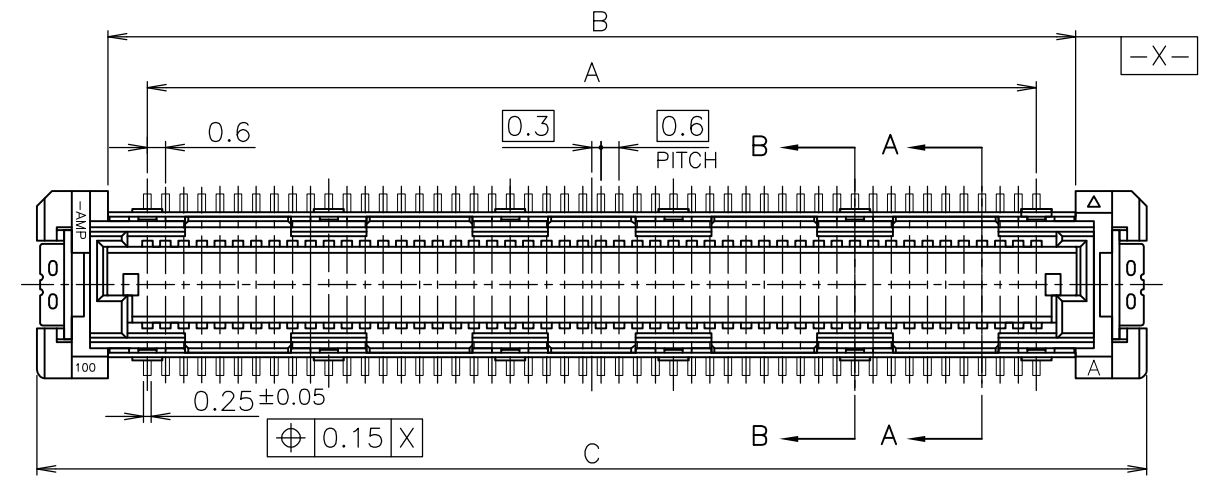


GENERAL TOLERANCE
一般公差

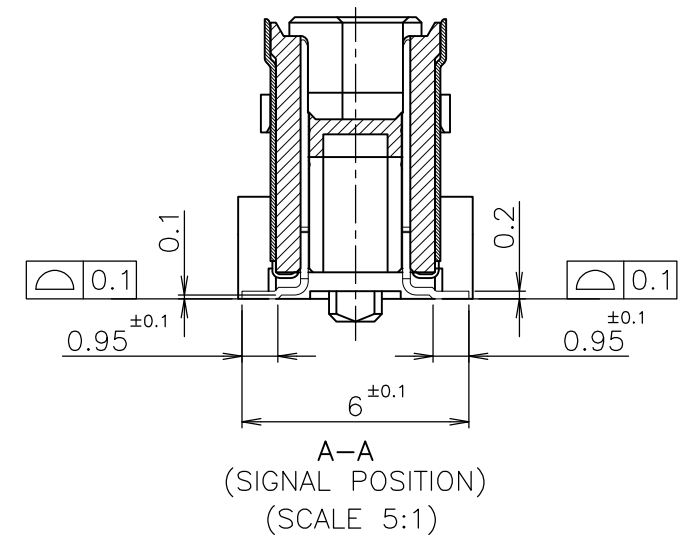
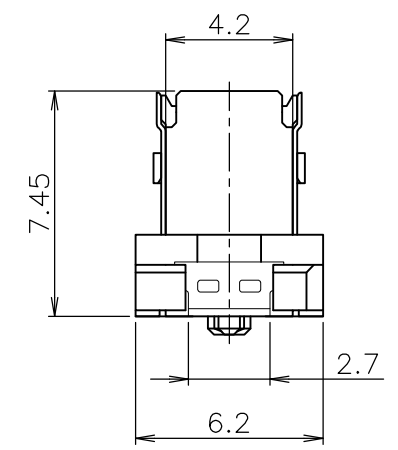
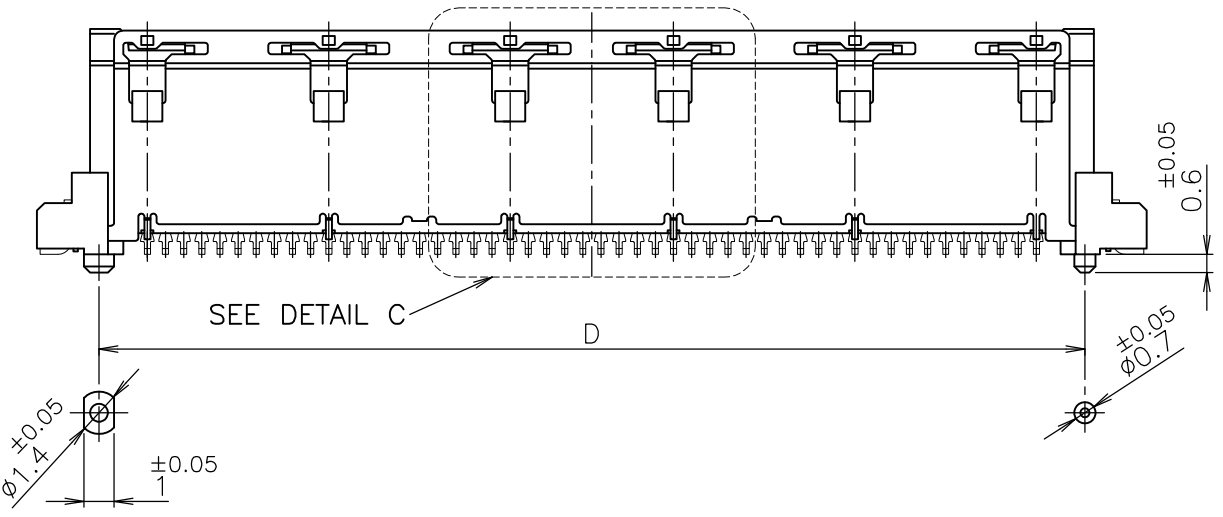
10 ≥ ±0.2
 30 ≥ >10: ±0.25
 100 ≥ >30: ±0.3
 ANGLES: ±3°

THIS DRAWING IS A CONTROLLED DOCUMENT.		DWN		STE TE Connectivity	
DIMENSIONS: 单位: 耗 mm		CHK			
		APVD		NAME 名称	
		TOLERANCES UNLESS OTHERWISE SPECIFIED: 一般公差		PRODUCT SPEC 製品規格	
MATERIAL 材料		FINISH 仕上		APPLICATION SPEC 取付適用規格	
0 PLC ±- 1 PLC ±- 2 PLC ±- 3 PLC ±- 4 PLC ±- ANGLES ±-		WEIGHT		SOFT TRAY ASSY FH 0.6BTB CONNECTOR PLUG 8H W/G-PLATE 2ROW TYPE	
CUSTOMER DRAWING		SIZE A3	CAGE CODE 00779	DRAWING NO 番号 G-6318154	RESTRICTED TO
		SCALE 尺度 3:1	SHEET 4 OF 6	REV A1	

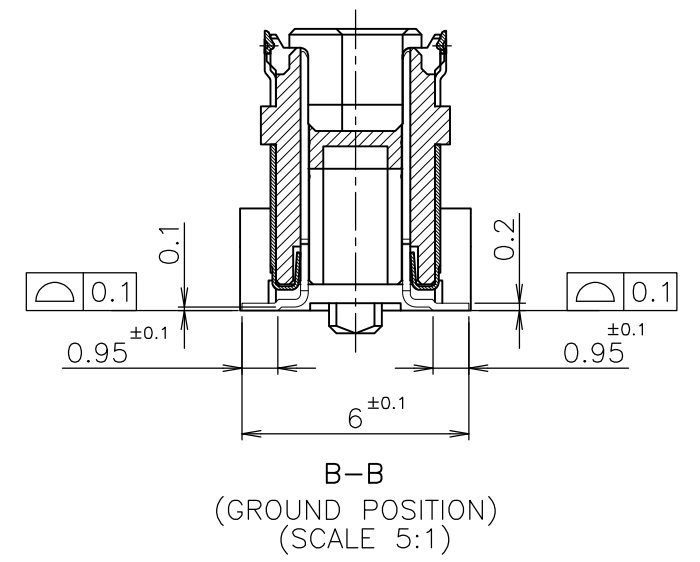
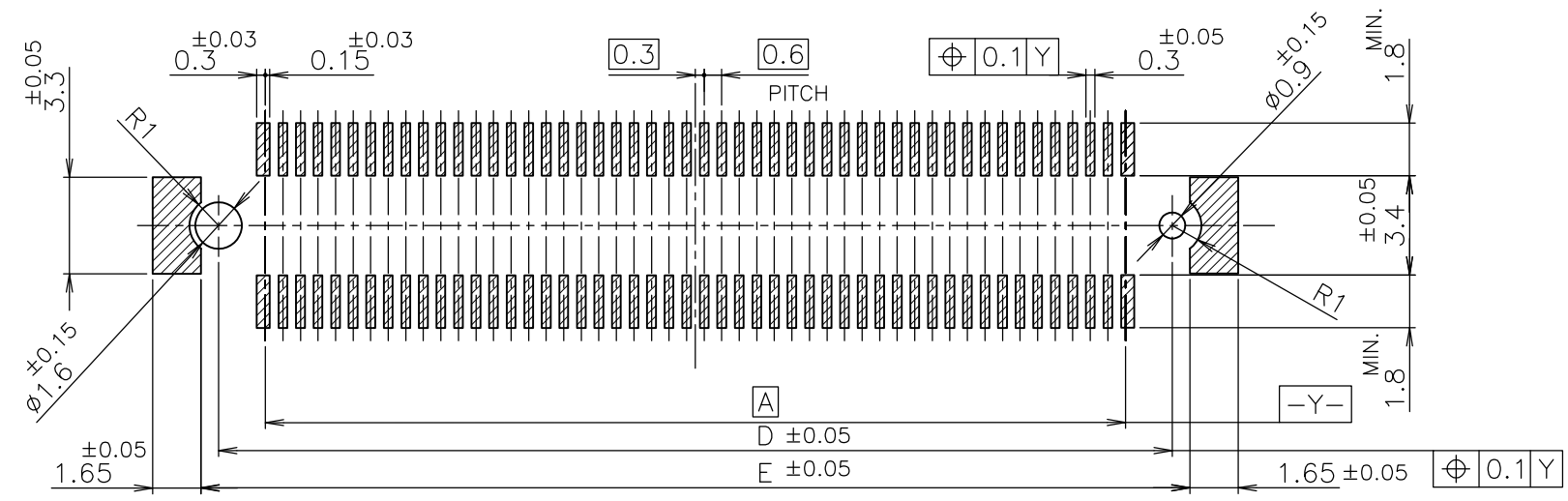
REVISIONS 変更					
P	LTR	DESCRIPTION	DATE	DWN	APVD
-	-	SEE SHEET 1	-	-	-



DETAIL C
180P~240P ONLY



A-A
(SIGNAL POSITION)
(SCALE 5:1)



B-B
(GROUND POSITION)
(SCALE 5:1)

REFERENCE P.C.BOARD LAYOUT

AVAILABLE	51.8	50.6	54.7	50	47.4	160
AVAILABLE	45.8	44.6	48.7	44	41.4	140
NOT AVAILABLE	39.8	38.6	42.7	38	35.4	120
NOT AVAILABLE	33.8	32.6	36.7	32	29.4	100
TOOLING STATUS	E	D	C	B	A	POS

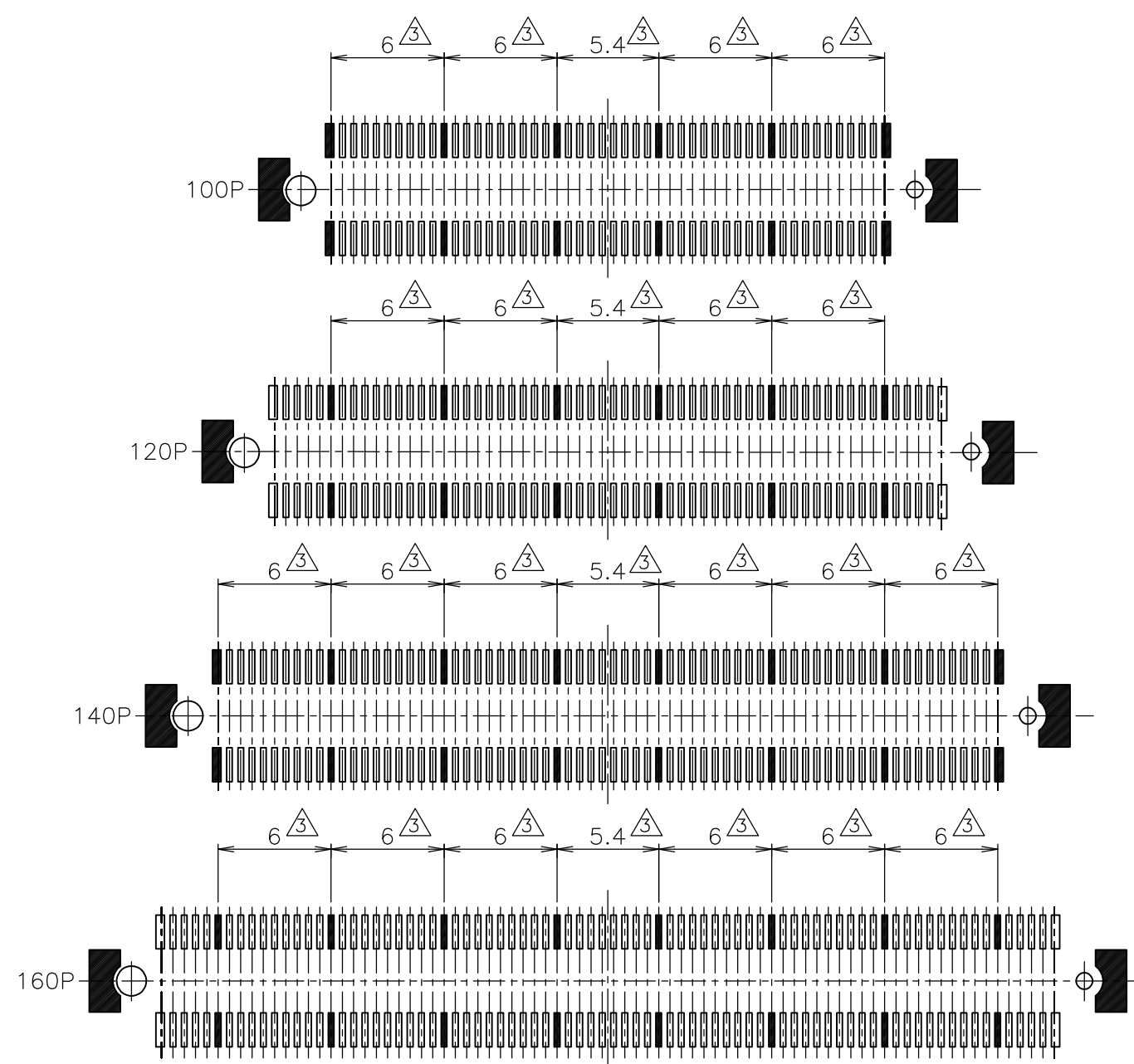
GENERAL TOLERANCE
一般公差

10 ≥ ±0.2
30 ≥ >10: ±0.25
100 ≥ >30: ±0.3
ANGLES: ±3°

THIS DRAWING IS A CONTROLLED DOCUMENT.		DWN	TE Connectivity			
DIMENSIONS: 単位: 耗 mm		CHK				
TOLERANCES UNLESS OTHERWISE SPECIFIED: 一般公差		APVD	NAME 名称			
0 PLC ± - 1 PLC ± - 2 PLC ± - 3 PLC ± - 4 PLC ± - ANGLES ± -		PRODUCT SPEC 製品規格	SOFT TRAY ASSY FH 0.6BTB CONNECTOR PLUG 8H W/G-PLATE 2ROW TYPE			
MATERIAL 材料		APPLICATION SPEC 取付適用規格	SIZE	CAGE CODE	DRAWING NO 番号	RESTRICTED TO
FINISH 仕上		WEIGHT	A3	00779	G-6318154	
CUSTOMER DRAWING			SCALE 尺度	SHEET	REV	
			4:1	5 OF 6	A1	

THIS DRAWING IS UNPUBLISHED. RELEASED FOR PUBLICATION NOV, 1998.
 © COPYRIGHT 1998 By - ALL RIGHTS RESERVED.

REVISIONS 変更				
P	LTR	DESCRIPTION	DATE	APVD
-	-	SEE SHEET 1	-	-



GENERAL TOLERANCE
一般公差

10[≥]: ±0.2
 30[≥]: >10: ±0.25
 100[≥]: >30: ±0.3
 ANGLES: ±3°

THIS DRAWING IS A CONTROLLED DOCUMENT.	
DIMENSIONS: 単位: 耗 mm	TOLERANCES UNLESS OTHERWISE SPECIFIED: 一般公差
	0 PLC ± - 1 PLC ± - 2 PLC ± - 3 PLC ± - 4 PLC ± - ANGLES ± -
MATERIAL 材料	FINISH 仕上

DWN
CHK
APVD
PRODUCT SPEC 製品規格
APPLICATION SPEC 取付適用規格
WEIGHT
CUSTOMER DRAWING

TE Connectivity			
NAME 名称 SOFT TRAY ASSY FH 0.6BTB CONNECTOR PLUG 8H W/G-PLATE 2ROW TYPE			
SIZE	CAGE CODE	DRAWING NO 番号	RESTRICTED TO
A3	00779	G-6318154	
SCALE 尺度 3:1		SHEET 6 OF 6	REV A1

单击下面可查看定价，库存，交付和生命周期等信息

[>>TE Connectivity\(泰科\)](#)