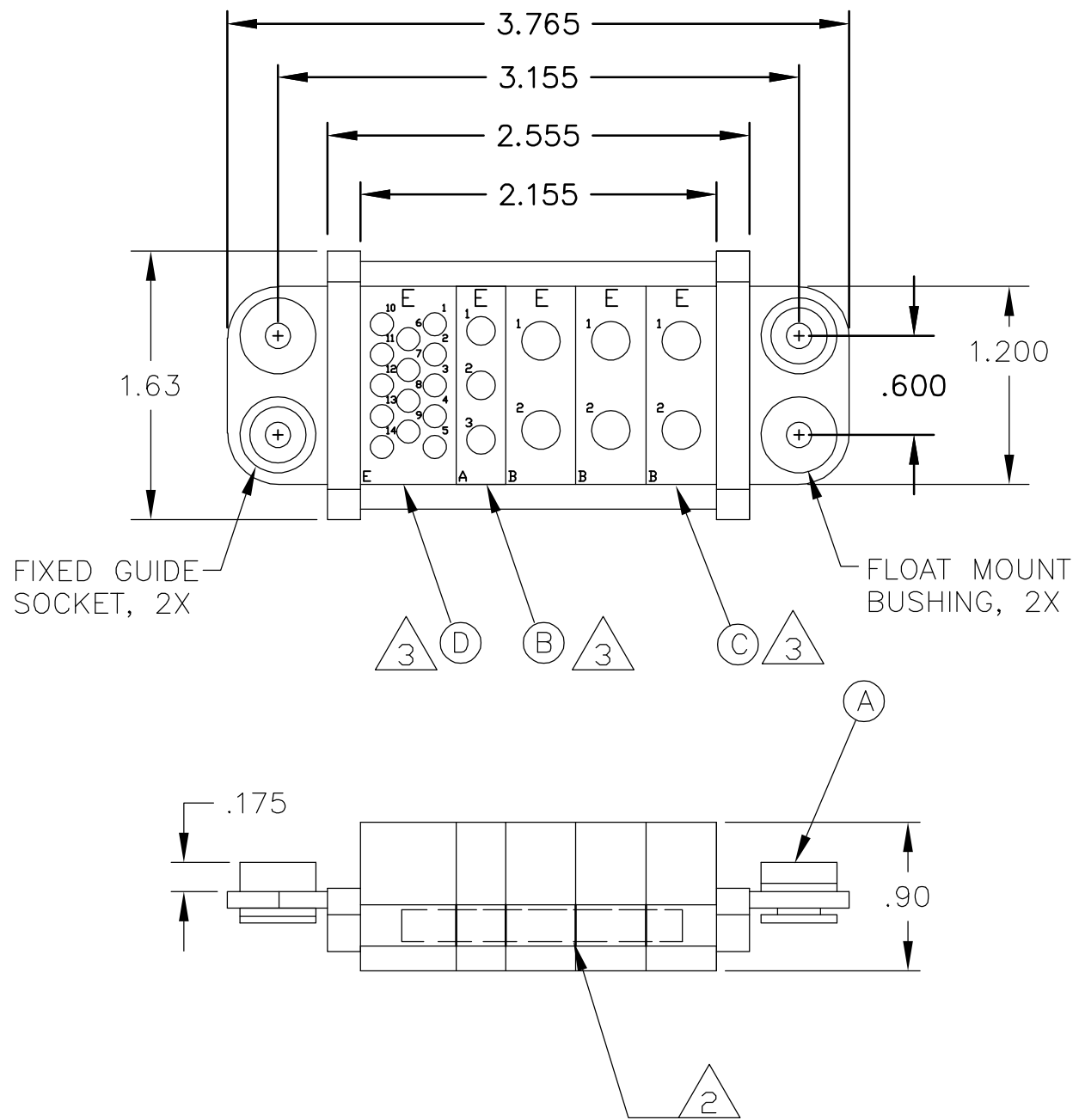


THIS DRAWING IS UNPUBLISHED. RELEASED FOR PUBLICATION  
 © COPYRIGHT - BY TYCO ELECTRONICS CORPORATION. ALL RIGHTS RESERVED.

LOC	DIST	REVISIONS					
GP	00	P	LTR	DESCRIPTION	DATE	DWN	APVD
			A	NEW RELEASE	8MAR07	RG	DO



1. PART NUMBER CHANGES AND/OR DESIGN CHANGES AFFECTING ITEM INTERCHANGEABILITY REQUIRE PRIOR TYCO APPROVAL AND AUTHORIZATION BY REVISION TO THIS DRAWING.

2. ITEMS PROVIDED TO THIS SPECIFICATION TO BE PERMANENTLY IDENTIFIED PER THE FOLLOWING IDENTIFIER:

YEAR    WEEK     
 TYCO PART NUMBER DATE CODE (e.g. 0212)  
 XXXXXXXX-X XXXX

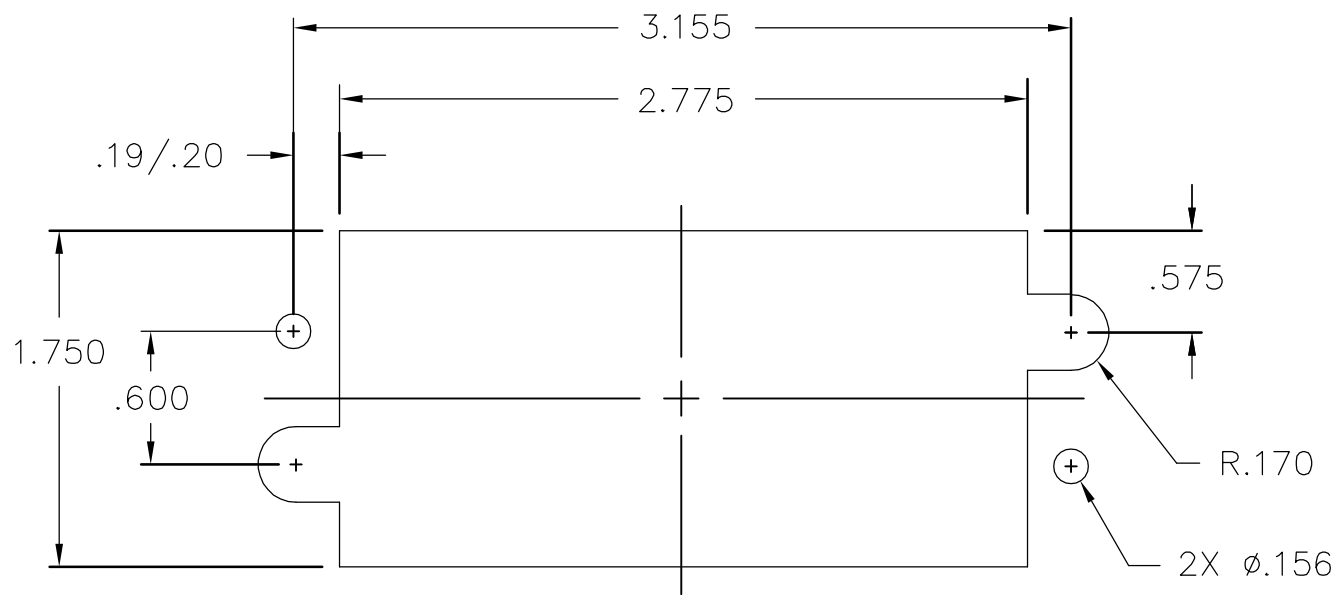
3. MODULES NOTED ARE CRIMP REMOVABLE STYLE. THIS ASSEMBLY DOES NOT INCLUDE SOCKET CONTACTS. PROPER CONTACT ORDERING AND SELECTION SHALL BE THE RESPONSIBILITY OF THE CUSTOMER.

1	1648470-1	MODULE E	D
3	1648467-1	MODULE B	C
1	1648466-1	MODULE A	B
2	6648252-1	END CAP, GUIDE SOCKET, FLOAT	A
-1	PART NUMBER	DESCRIPTION	ITEM

THIS DRAWING IS A CONTROLLED DOCUMENT.		DWN R.GRZYBOWSKI 08MAR2007	Tyco Electronics Corporation Harrisburg, PA 17105-3608	
DIMENSIONS: INCHES		CHK D.ORRIS 8FEB07	NAME S.FLICKINGER 8FEB07	
TOLERANCES UNLESS OTHERWISE SPECIFIED:		PRODUCT SPEC		
0 PLC ± - 1 PLC ± - 2 PLC ± .02 3 PLC ± .010 4 PLC ± - ANGLES ± 5		APPLICATION SPEC		
MATERIAL		WEIGHT	SIZE A3	CAGE CODE 00779
			DRAWING NO C=6646122	
		CUSTOMER DRAWING		RESTRICTED TO
		SCALE 1:1	SHEET 1 OF 2	REV A

THIS DRAWING IS UNPUBLISHED. RELEASED FOR PUBLICATION  
 © COPYRIGHT - BY TYCO ELECTRONICS CORPORATION. ALL RIGHTS RESERVED.

LOC	DIST	REVISIONS			
P	LTR	DESCRIPTION	DATE	DWN	APVD
GP	00	SEE SHEET 1	-	-	-



SOCKET PANEL MOUNT CUTOUT  
 SCALE: NONE

THIS DRAWING IS A CONTROLLED DOCUMENT.		DWN R.GRZYBOWSKI 08MAR2007	Tyco Electronics Corporation Harrisburg, PA 17105-3608		
DIMENSIONS: INCHES		CHK D.ORRIS 8FEB07	NAME		
		APVD S.FLICKINGER 8FEB07	SOCKET CONNECTOR DOMINO W/ PANEL CUT-OUT		
TOLERANCES UNLESS OTHERWISE SPECIFIED:		PRODUCT SPEC	RESTRICTED TO		
0 PLC ± - 1 PLC ± - 2 PLC ± .02 3 PLC ± .010 4 PLC ± - ANGLES ± 5		APPLICATION SPEC	SIZE A3	CAGE CODE 00779	DRAWING NO G-6646122
MATERIAL		WEIGHT	SCALE 1:1 SHEET 2 OF 2 REV A		
-		-	CUSTOMER DRAWING		

单击下面可查看定价，库存，交付和生命周期等信息

[>>TE Connectivity\(泰科\)](#)