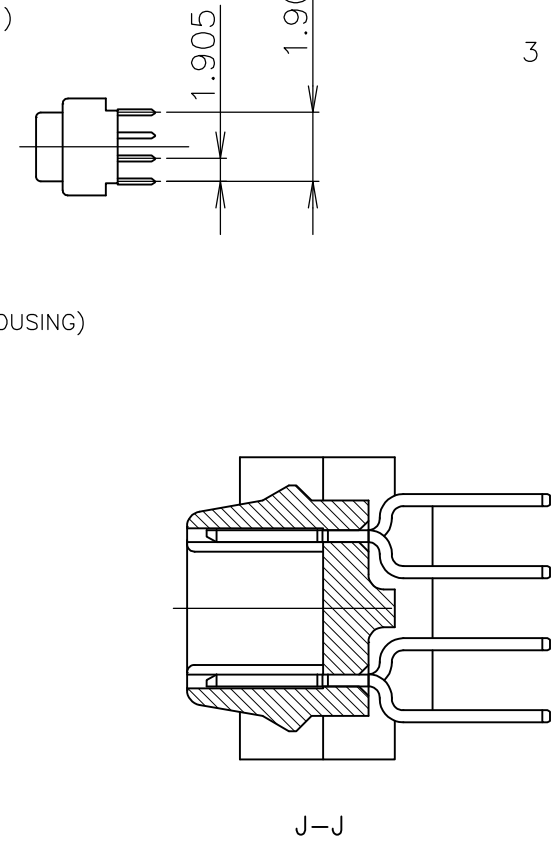
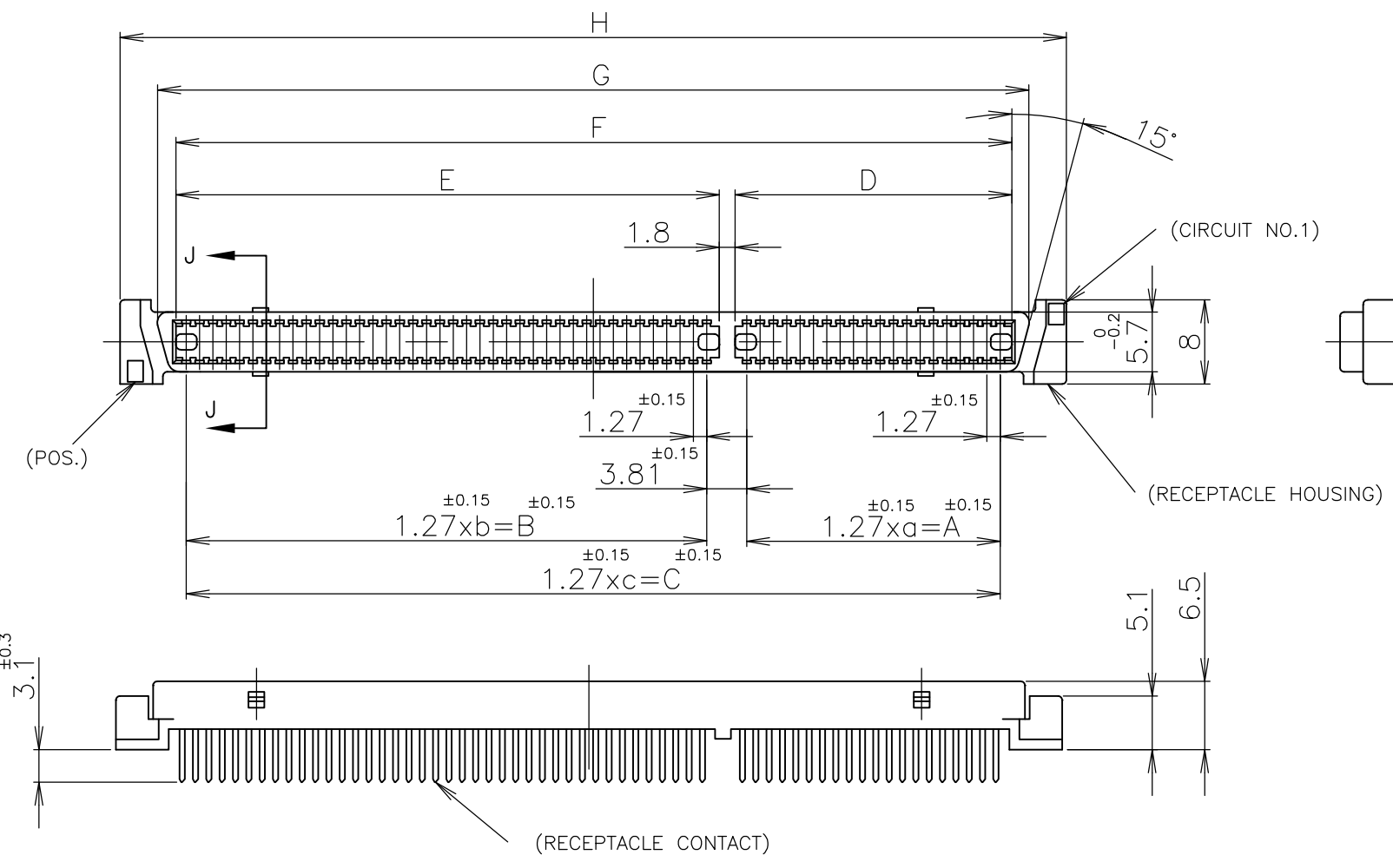
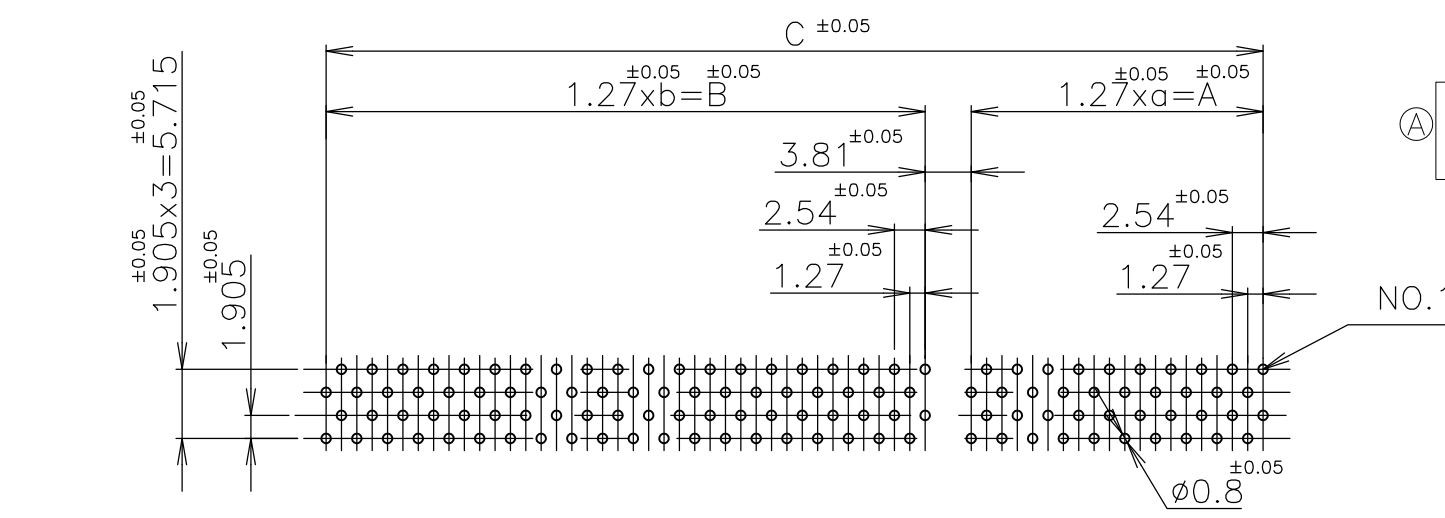


THIS DRAWING IS UNPUBLISHED. RELEASED FOR PUBLICATION FEB , 1995.  
 © COPYRIGHT 1995 By - ALL RIGHTS RESERVED.

LOC	DIST	REVISIONS					
J		P	LTR	DESCRIPTION	DATE	DWN	APVD
		A		REVISED ECR-12-013341	26MAR13	K.M	E.T



- ① MATERIAL: HOUSING: GLASS FILLED 66 NYLON (UL 94V-0) BLACK.  
CONTACT: PHOSPHOR-BRONZE
- ② FINISH: CONTACT: 0.0003 MIN. Au CONTACT AREA, 0.001 MIN. TIN AT TINE, OVER Ni
- ③ THESE PRODUCTS WERE COATED BY ANTI-FLUX MIGRATION AGENT.



POS.	a	A	b	B	c	C	D	E	F	G	H	P/N
180	39	49.53	49	62.23	—	115.57	51.53	64.23	117.57	120.66	128.19	▲ -8
160	29	36.83	49	62.23	—	102.87	38.83	64.23	104.87	107.96	115.49	-7
140	29	36.83	39	49.53	—	90.17	38.83	51.53	92.17	95.26	102.79	-6
120	19	24.13	39	49.53	—	77.47	26.13	51.53	79.47	82.56	90.09	-5
100	—	—	—	—	49	62.23	—	—	64.23	67.32	74.85	-4
80	—	—	—	—	39	49.53	—	—	51.53	54.62	62.15	-3
60	—	—	—	—	29	36.83	—	—	38.83	41.92	49.45	-2
40	—	—	—	—	19	24.13	—	—	26.13	29.22	36.75	5917629-1

P.C. BOARD LAYOUT (CONNECTOR MOUNT SIDE)

LEAD FREE

THIS DRAWING IS A CONTROLLED DOCUMENT.

DIMENSIONS: 单位: 耗 mm	TOLERANCES UNLESS OTHERWISE SPECIFIED: 一般公差	DWN ROY HAO 21SEP04	TE Connectivity																																		
<table border="1"> <tr><td>0 PLC</td><td>± 0.2</td></tr> <tr><td>1 PLC</td><td>± 0.2</td></tr> <tr><td>2 PLC</td><td>± 0.2</td></tr> <tr><td>3 PLC</td><td>± 0.2</td></tr> <tr><td>4 PLC</td><td>± 0.2</td></tr> <tr><td>ANGLES</td><td>± 3'</td></tr> </table>	0 PLC	± 0.2		1 PLC	± 0.2	2 PLC	± 0.2	3 PLC	± 0.2	4 PLC	± 0.2	ANGLES	± 3'	<table border="1"> <tr><td>FINISH 仕上</td><td>②</td></tr> </table>	FINISH 仕上	②	<table border="1"> <tr><td>CHK STEVEN YAO 21SEP04</td></tr> <tr><td>APVD I.ENOMOTO 21SEP04</td></tr> <tr><td>PRODUCT SPEC 製品規格</td></tr> <tr><td>APPLICATION SPEC 取付適用規格</td></tr> <tr><td>WEIGHT</td></tr> </table>	CHK STEVEN YAO 21SEP04	APVD I.ENOMOTO 21SEP04	PRODUCT SPEC 製品規格	APPLICATION SPEC 取付適用規格	WEIGHT	<table border="1"> <tr><td>NAME 名称</td><td colspan="2">AMP FH CONNECTOR RECEPTACLE (VERTICAL)</td></tr> <tr><td></td><td colspan="2">9mm STACKING</td></tr> <tr><td>SIZE</td><td>CAGE CODE</td><td>DRAWING NO 番号</td></tr> <tr><td>A3</td><td>00779</td><td>G-5917629</td></tr> <tr><td colspan="3">RESTRICTED TO</td></tr> </table>	NAME 名称	AMP FH CONNECTOR RECEPTACLE (VERTICAL)			9mm STACKING		SIZE	CAGE CODE	DRAWING NO 番号	A3	00779	G-5917629	RESTRICTED TO	
0 PLC	± 0.2																																				
1 PLC	± 0.2																																				
2 PLC	± 0.2																																				
3 PLC	± 0.2																																				
4 PLC	± 0.2																																				
ANGLES	± 3'																																				
FINISH 仕上	②																																				
CHK STEVEN YAO 21SEP04																																					
APVD I.ENOMOTO 21SEP04																																					
PRODUCT SPEC 製品規格																																					
APPLICATION SPEC 取付適用規格																																					
WEIGHT																																					
NAME 名称	AMP FH CONNECTOR RECEPTACLE (VERTICAL)																																				
	9mm STACKING																																				
SIZE	CAGE CODE	DRAWING NO 番号																																			
A3	00779	G-5917629																																			
RESTRICTED TO																																					
MATERIAL 材料	①	CUSTOMER DRAWING	<table border="1"> <tr><td>SCALE 尺度</td><td>NTS</td></tr> <tr><td>SHEET</td><td>1 OF 1</td></tr> <tr><td>REV</td><td>A</td></tr> </table>	SCALE 尺度	NTS	SHEET	1 OF 1	REV	A																												
SCALE 尺度	NTS																																				
SHEET	1 OF 1																																				
REV	A																																				

单击下面可查看定价，库存，交付和生命周期等信息

[>>TE Connectivity\(泰科\)](#)