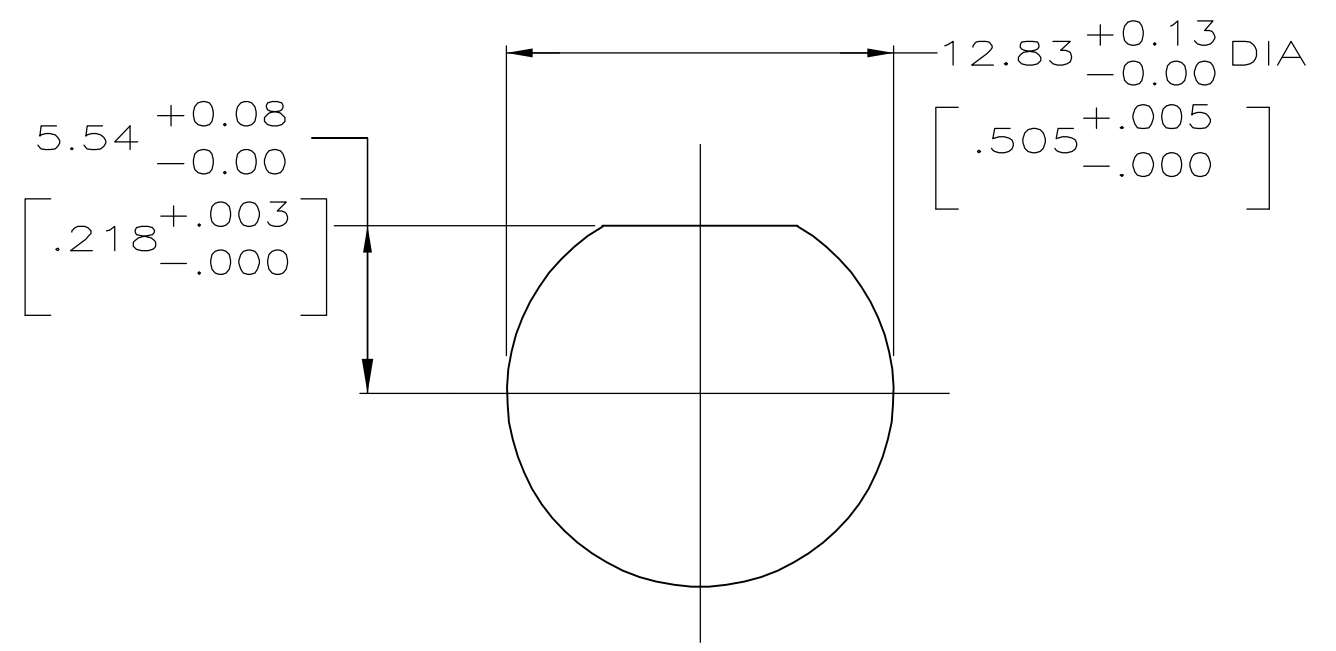
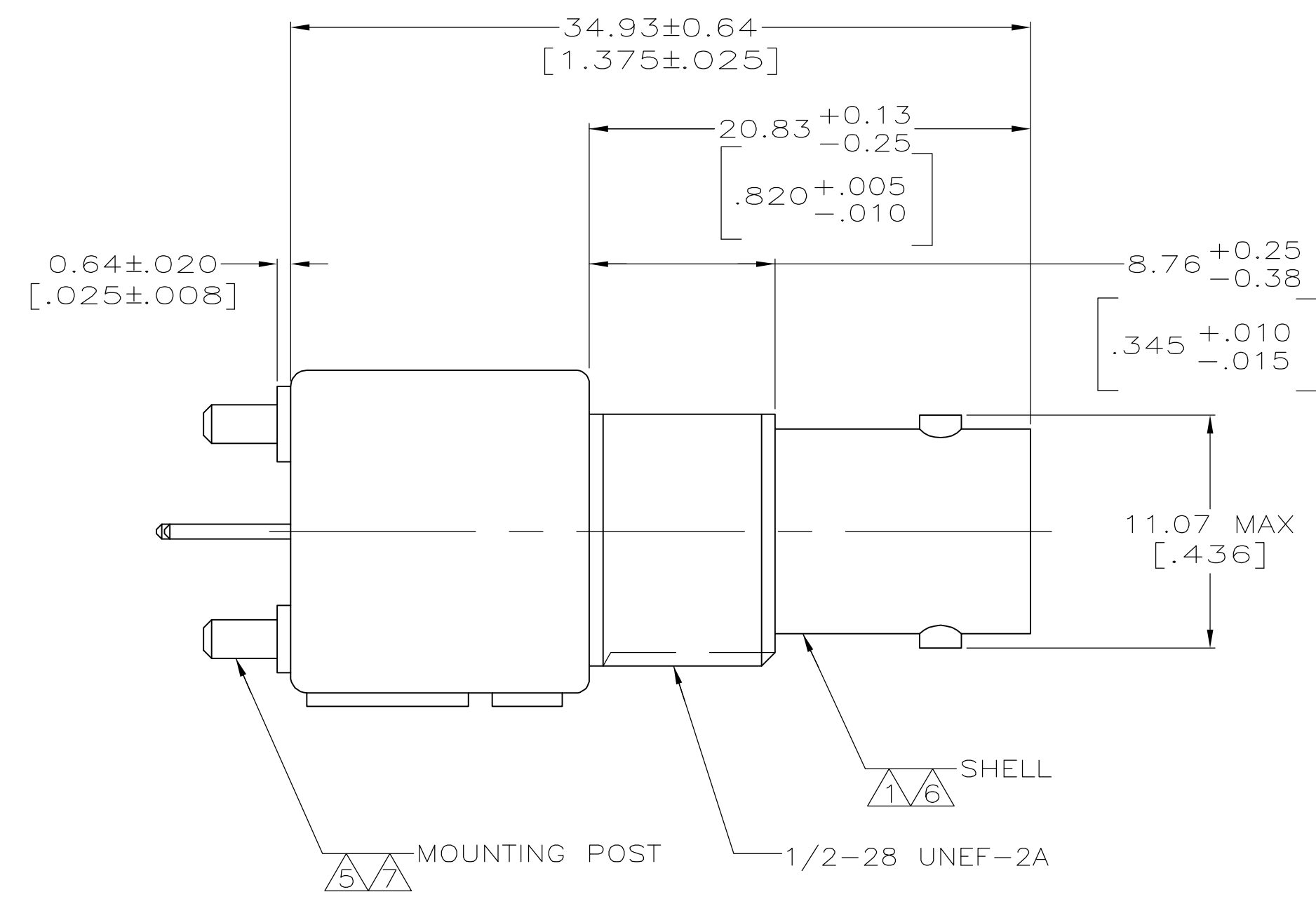
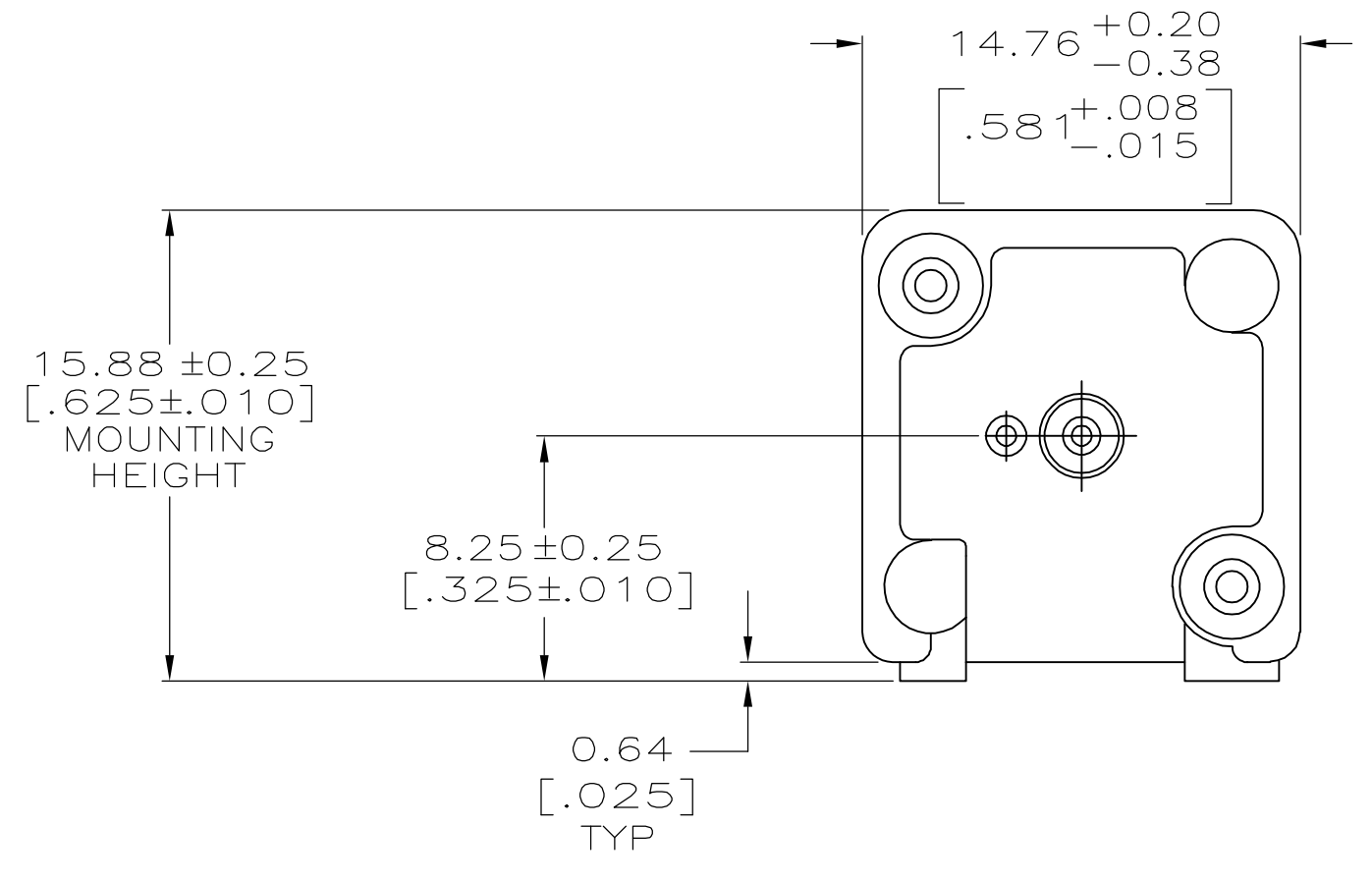
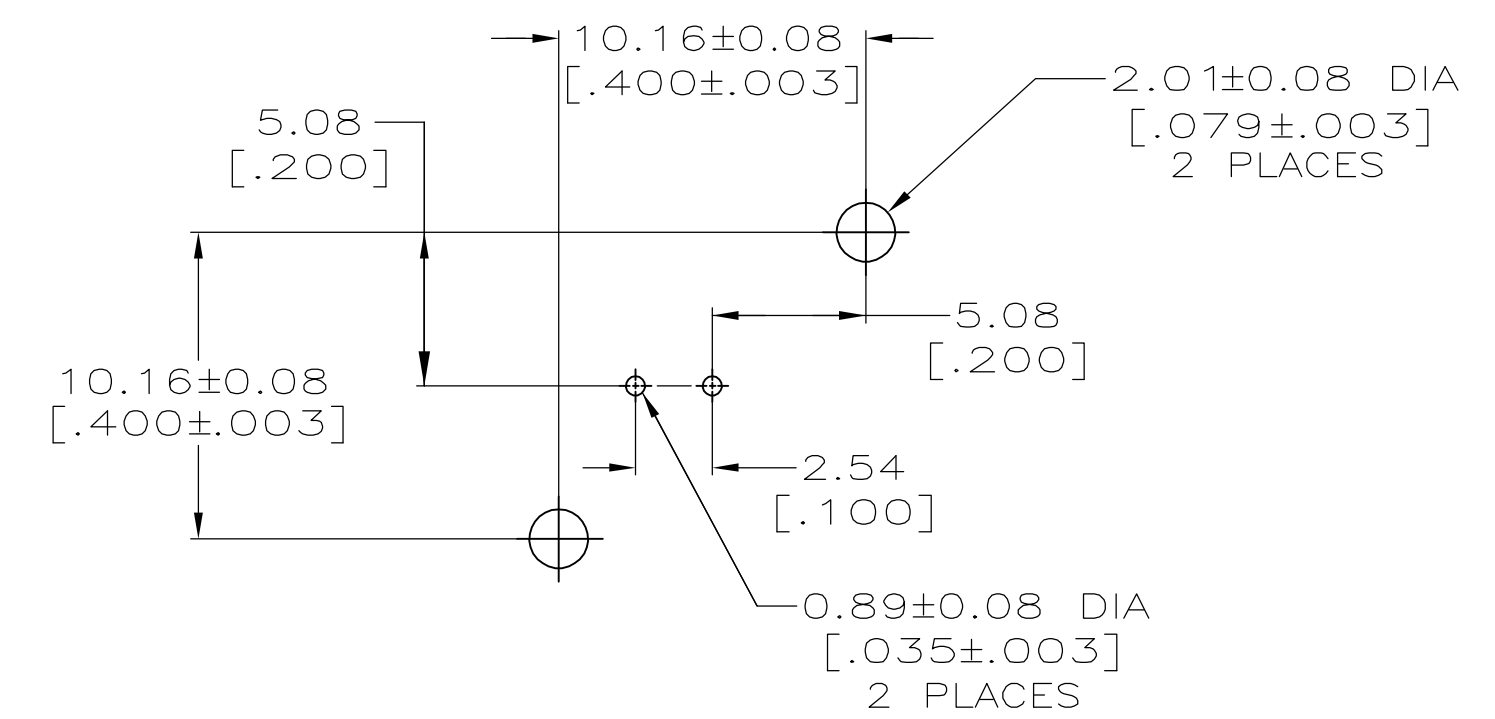


- 1 ZINC PER QQ-Z-363.
- 2 POLYMETHYLPENTENE PER ASTM-D-1238.
- 3 PHOSPHOR BRONZE PER QQ-B-750.
- 4 BRASS PER ASTM-B-453.
- 5 BRASS PER ASTM-B-16.
- 6 NICKEL PLATE PER QQ-N-290, 3.81 μm [.000150] MINIMUM THICK.
- 7 TIN PLATE PER ASTM-B-545, 3.81 μm [.000150] MINIMUM THICK.
- 8. SEE INSTRUCTION SHEET 408-2769.



RECOMMENDED PANEL CUTOUT



PCB CONFIGURATION

5227671-1
PART NUMBER

THIS DRAWING IS A CONTROLLED DOCUMENT.		DWN L VARELA - 20APR2005	Tyco Electronics Corporation Harrisburg, Pa 17105-3608	
DIMENSIONS: mm [INCHES]		CHK J. HAVENER	APPROVED J. LIPPERT	
TOLERANCES UNLESS OTHERWISE SPECIFIED:		NAME		
0 PLC ± -	1 PLC ± -	JACK, VERTICAL, PCB, 50 OHM, SERIES BNC		
2 PLC ± 0.05 [.002]	3 PLC ± -	PRODUCT SPEC 108-12078		
4 PLC ± -	ANGLES ± -	APPLICATION SPEC		
MATERIAL SEE NOTES 1-5		FINISH SEE NOTES 6-8	SIZE A1	CAGE CODE 00779
CUSTOMER DRAWING		DRAWING NO 5227671	RESTRICTED TO	SCALE 4:1
		WEIGHT	SHEET 1 OF 1	REV A

单击下面可查看定价，库存，交付和生命周期等信息

[>>TE Connectivity\(泰科\)](#)