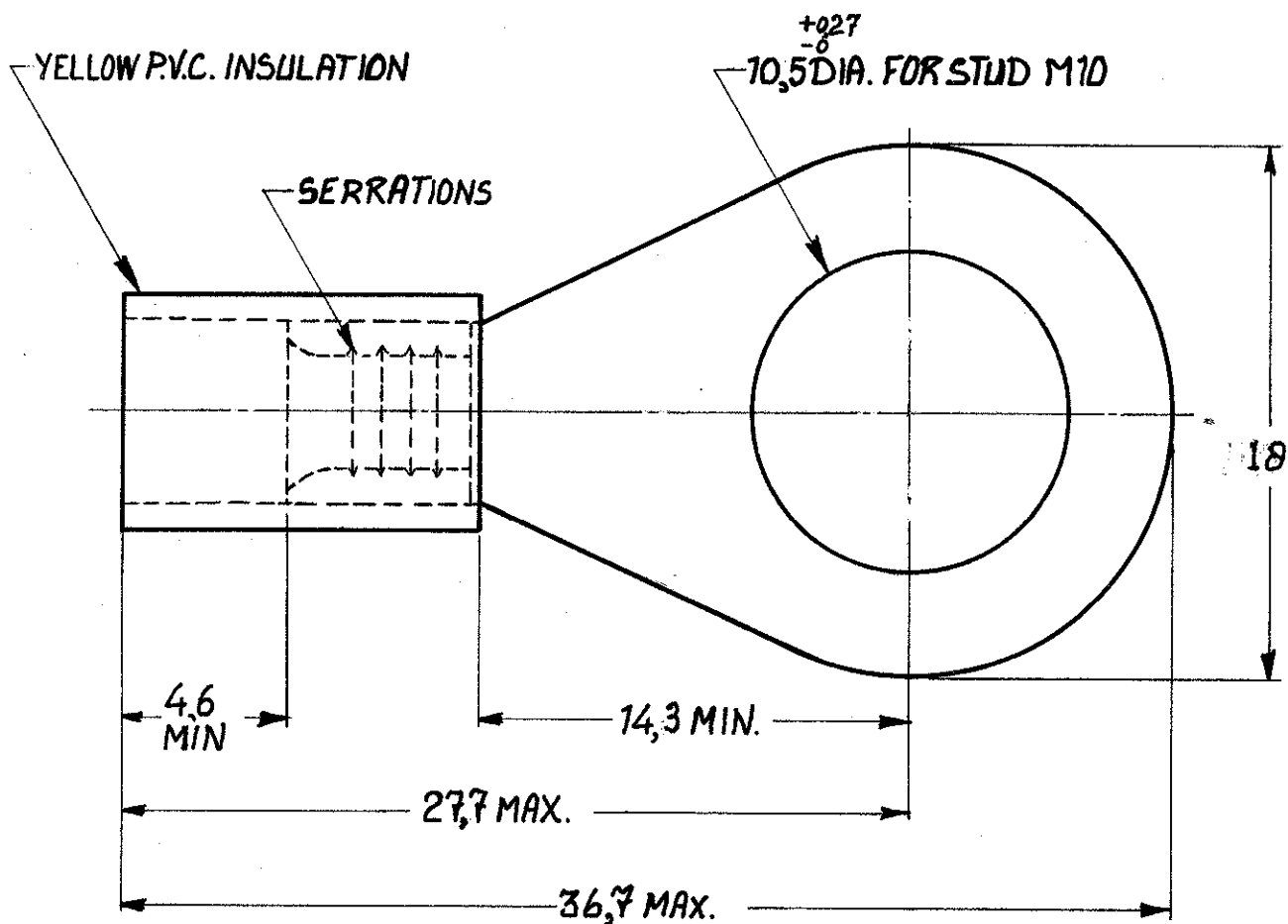


NUMBER C-165416-E



TONGUE MATERIAL THICKNESS: 10

CUSTOMER COPY FOR REFERENCE ONLY

©1970 BY AMP-HOLLAND N.V. ALL RIGHTS RESERVED A-MP PRODUCTS COVERED BY PATENTS AND/OR PATENTS PENDING.



AMP-HOLLAND N.V.
s-HERTOGENBOSCH
HOLLAND

WIRE-RANGE 4-6 mm ²	INSUL.-RANGE 5.6 DIA. MAX.	TYPE PLASTI-GRIP	DIN
-----------------------------------	-------------------------------	---------------------	-----

SCALE 4:1	LOC H	SIZE A	NO C-165416-E	REV 0
--------------	----------	-----------	------------------	----------

NAME INSI II ATFD RINGTONGUE for stud M10

165416	COPPER	TIN
ORDER NO.	MATERIAL	PLATING
DR R. Dimer 3/11-70	DATE	DE
CHK	DATE	APR 16/11-70

REV B 30-8-85
DIMENSIONS IN M.M. DO NOT SCALE PRINT

单击下面可查看定价，库存，交付和生命周期等信息

[>>TE Connectivity\(泰科\)](#)