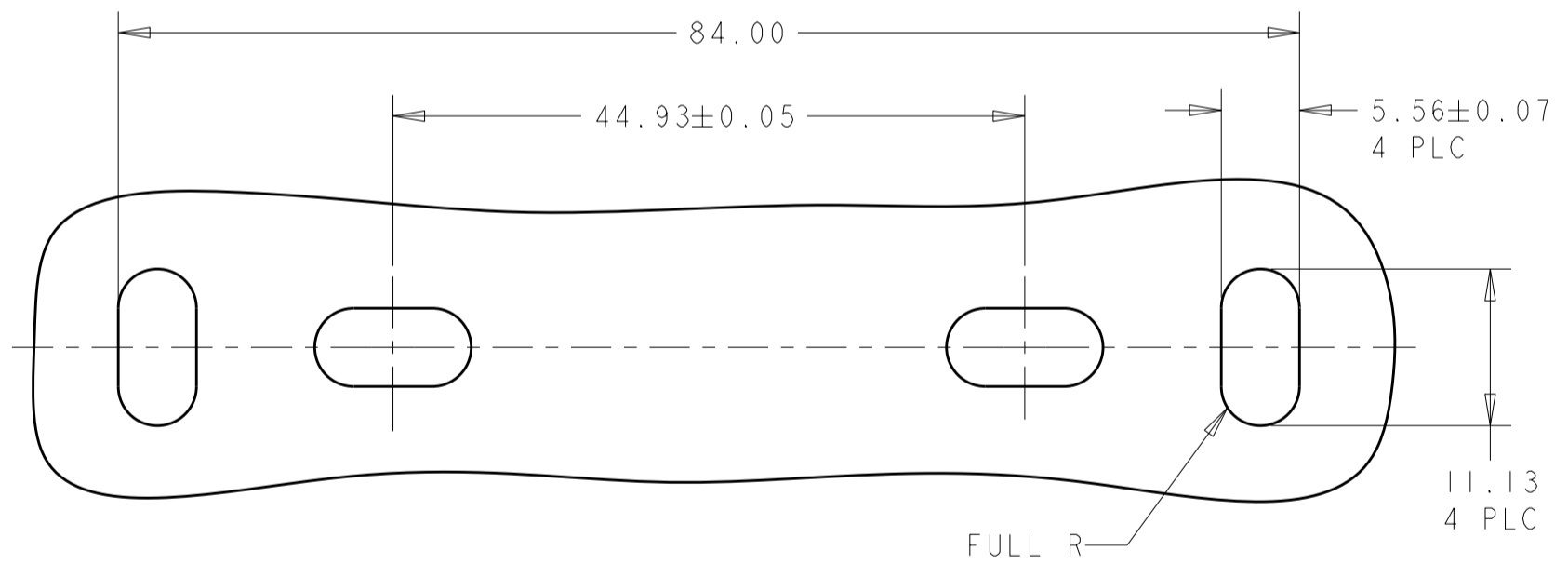
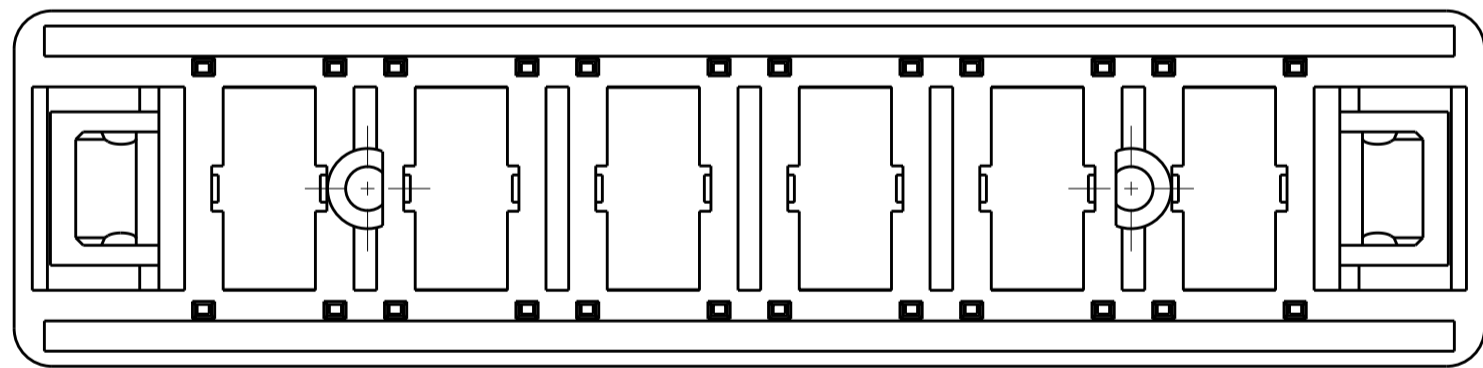
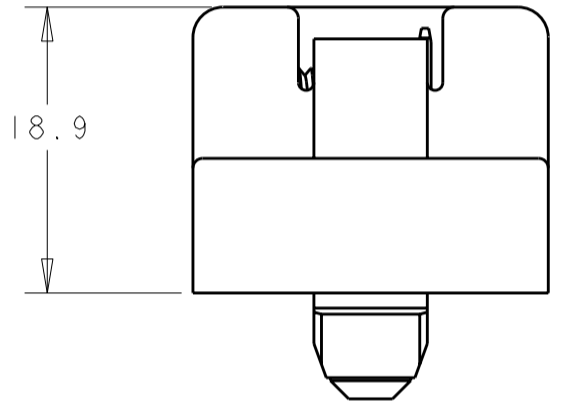
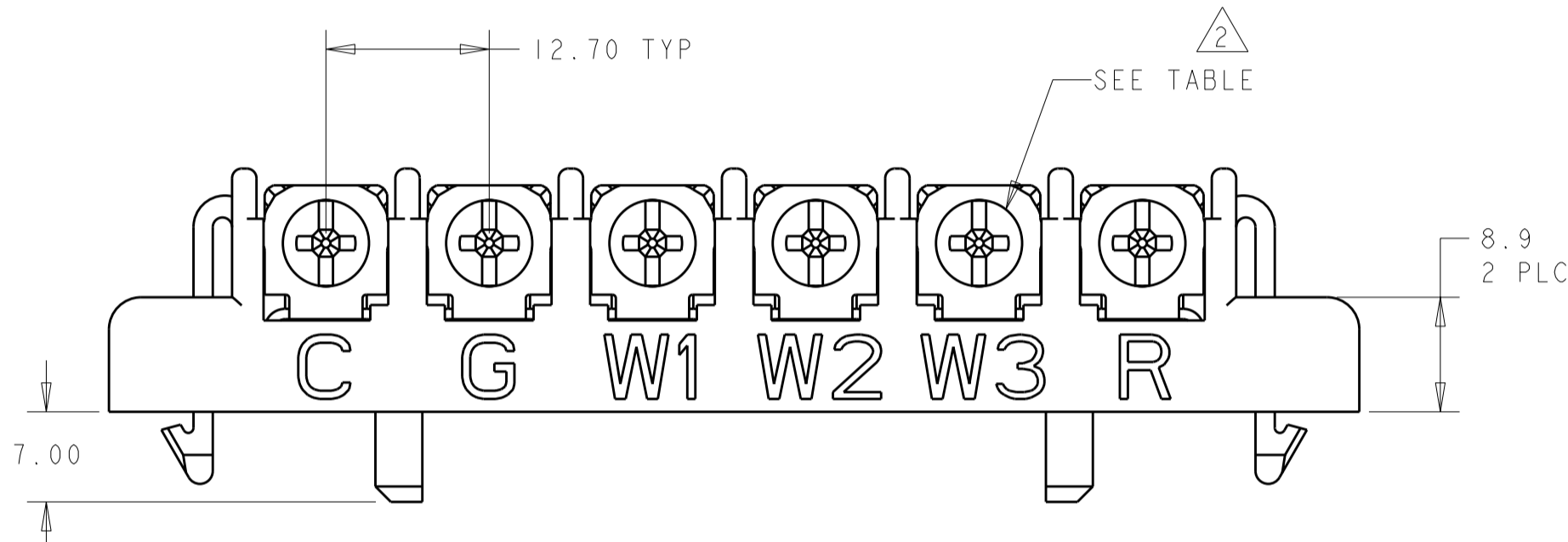
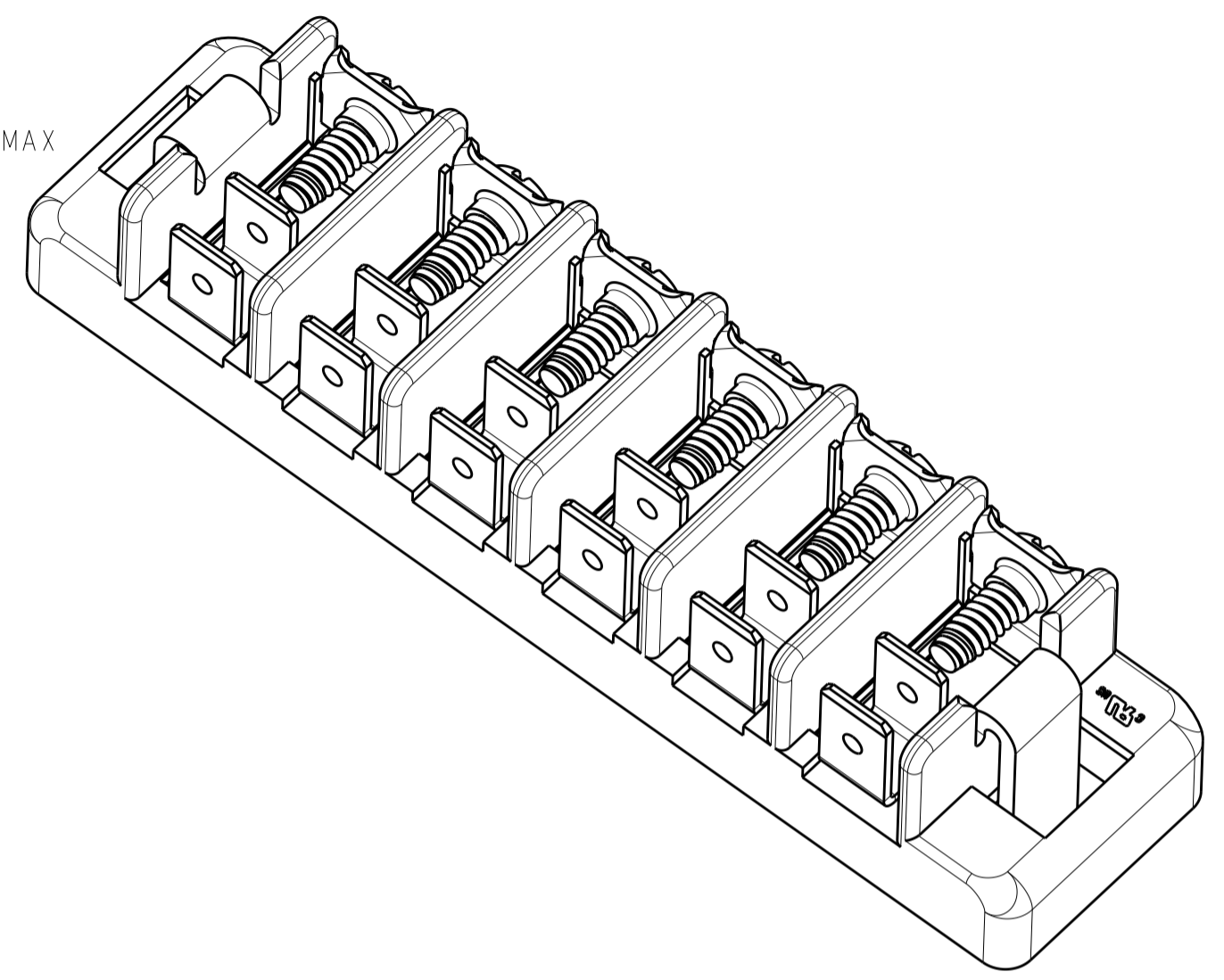
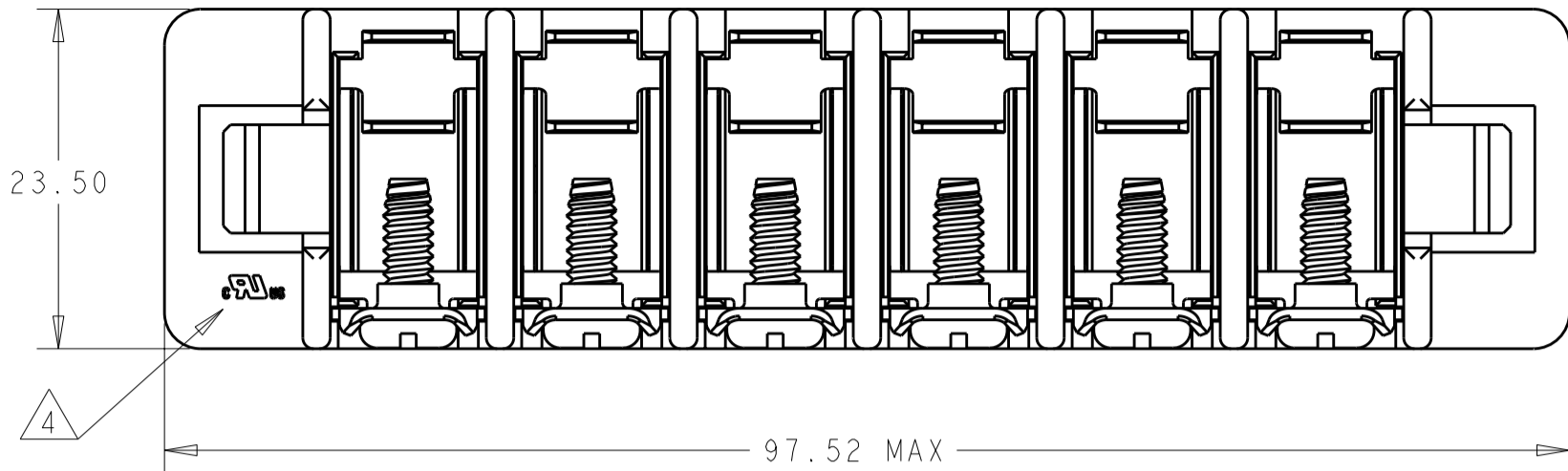


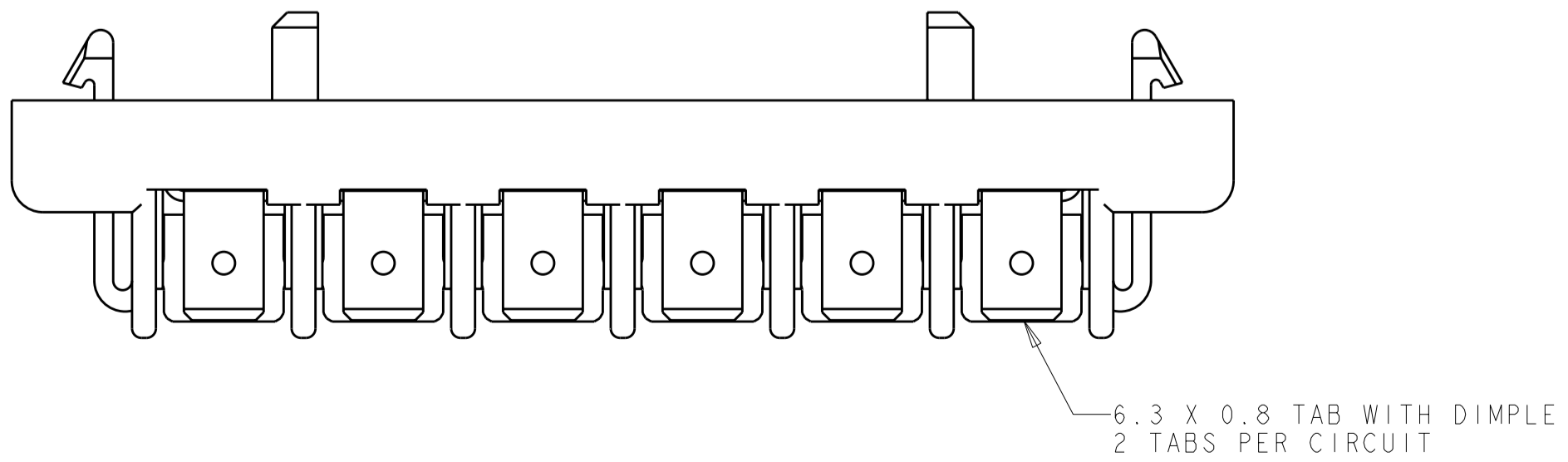
THIS DRAWING IS UNPUBLISHED. RELEASED FOR PUBLICATION 20  
 © COPYRIGHT 20 BY TYCO ELECTRONICS CORPORATION. ALL RIGHTS RESERVED.

- 1 MATERIAL: HOUSING: HIGH TEMP NYLON  
 COLOR: BLACK  
 CONTACT: BRASS  
 SCREW: STEEL, ZINC PLATED
- 2 RECOMMENDED TIGHTENING TORQUE: 12 IN-LB
- 3 PANEL BURR SIDE TO BE OPPOSITE OF CONNECTOR MOUNTING SURFACE
- 4 UL AND CSA APPROVED, FILE E60677.
- 5 RECOMMENDED TIGHTENING TORQUE: 20 IN-LB MAX
- 6 PRELIMINARY PART

LOC	DIST	REVISIONS			
P	LTR	DESCRIPTION	DATE	DWN	APVD
FT	0				
	A2	REVISED PER ECO-10-011897	09JUN2010	HMR	CR



RECOMMENDED PANEL CUTOUT  
 PANEL THICKNESS: 0.86 - 1.06  
 SCALE 2:1



5	8-32	6	1-1811495-6
2	6-32 BINDING		1811495-6
	SCREW TYPE		PART NO

<small>THIS DRAWING IS A CONTROLLED DOCUMENT FOR TYCO ELECTRONICS CORPORATION. IT IS SUBJECT TO CHANGE AND THE CONTROLLING ENGINEERING ORGANIZATION SHOULD BE CONTACTED FOR THE LATEST REVISION.</small>		DWN 08NOV2004 W.G. LENKER CHK 08NOV04 S. DUESTERHOEFF APVD - PRODUCT SPEC - APPLICATION SPEC - WEIGHT - CUSTOMER DRAWING	Tyco Electronics Harrisburg, PA 17105-3608 NAME <b>TERMINAL STRIP                  6 POSITION</b> SIZE CAGE CODE DRAWING NO A200779 C-1811495 RESTRICTED TO - SCALE 2:1 SHEET 1 OF 1 REV A2
DIMENSIONS: mm 	TOLERANCES UNLESS OTHERWISE SPECIFIED: 0 PLC ±- 1 PLC ±0.2 2 PLC ±0.15 3 PLC ±- 4 PLC ±- ANGLES ±5° FINISH	MATERIAL 1	

单击下面可查看定价，库存，交付和生命周期等信息

[>>TE Connectivity\(泰科\)](#)