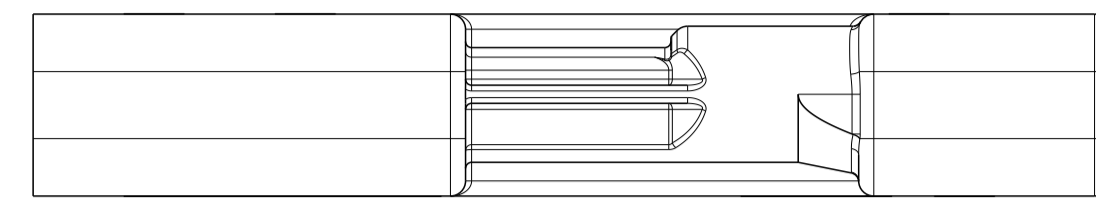
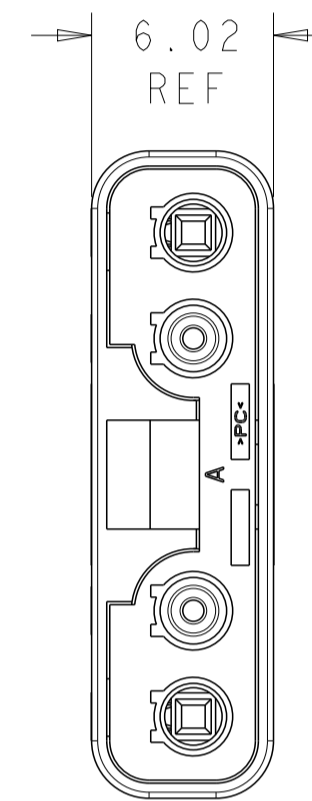
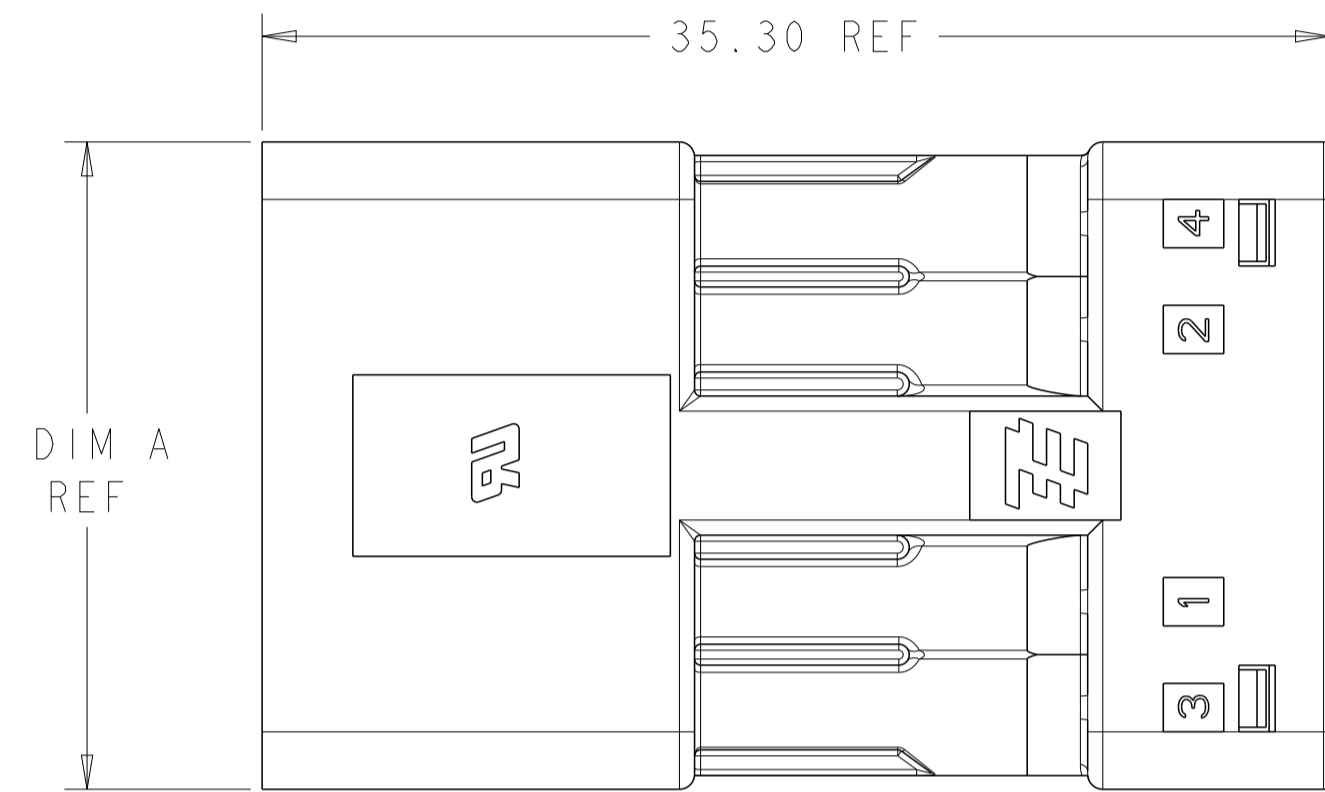
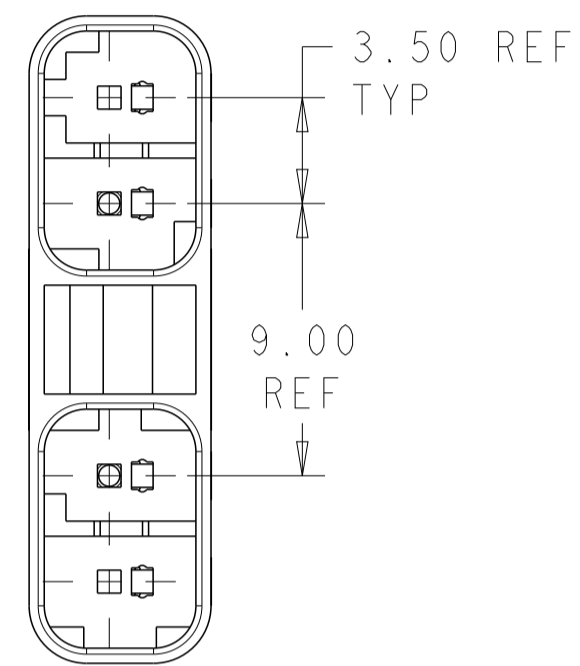


LOC		DIST		REVISIONS			
P	LTN	DESCRIPTION	DATE	DMN	APVD		
A1		REVISED PER ECO-11-004820	11MAR2011	RK	HMR		
A2		REVISED PER ECR-12-017779	19OCT2012	RS	DD		

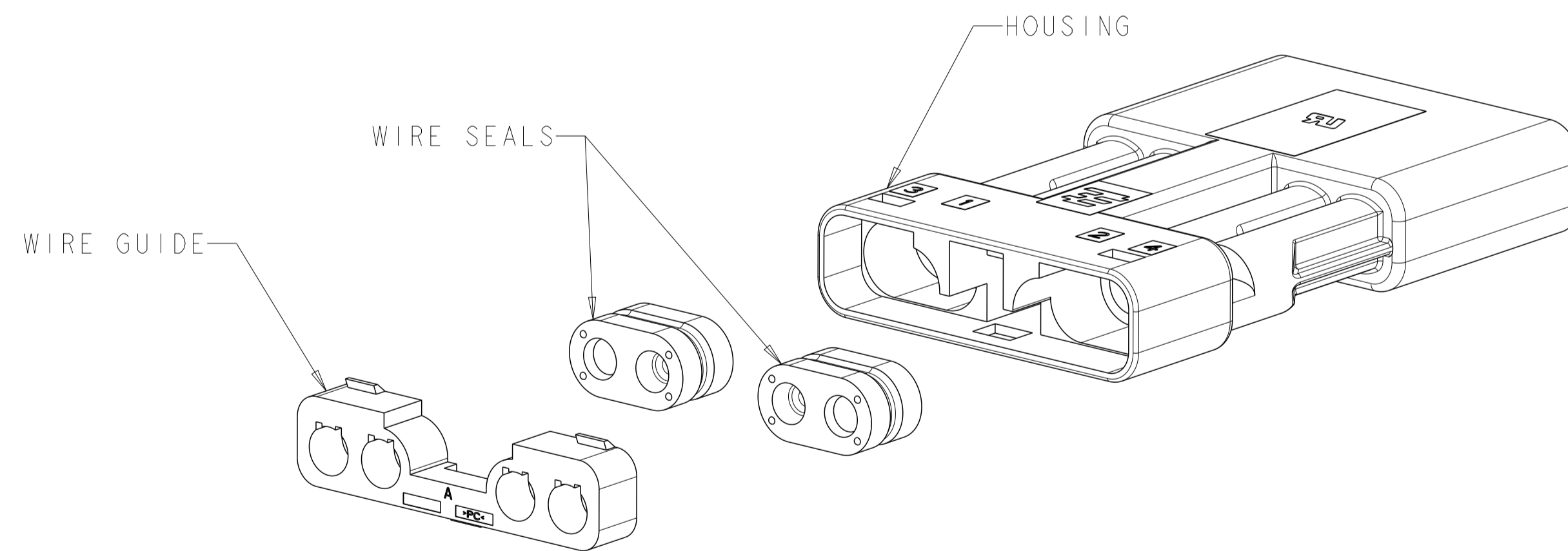
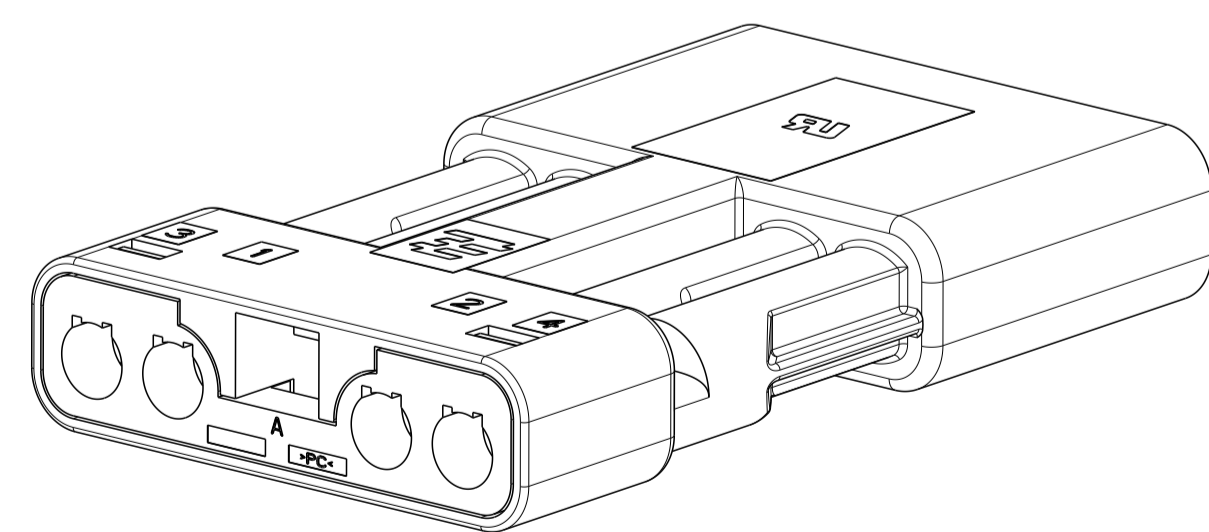
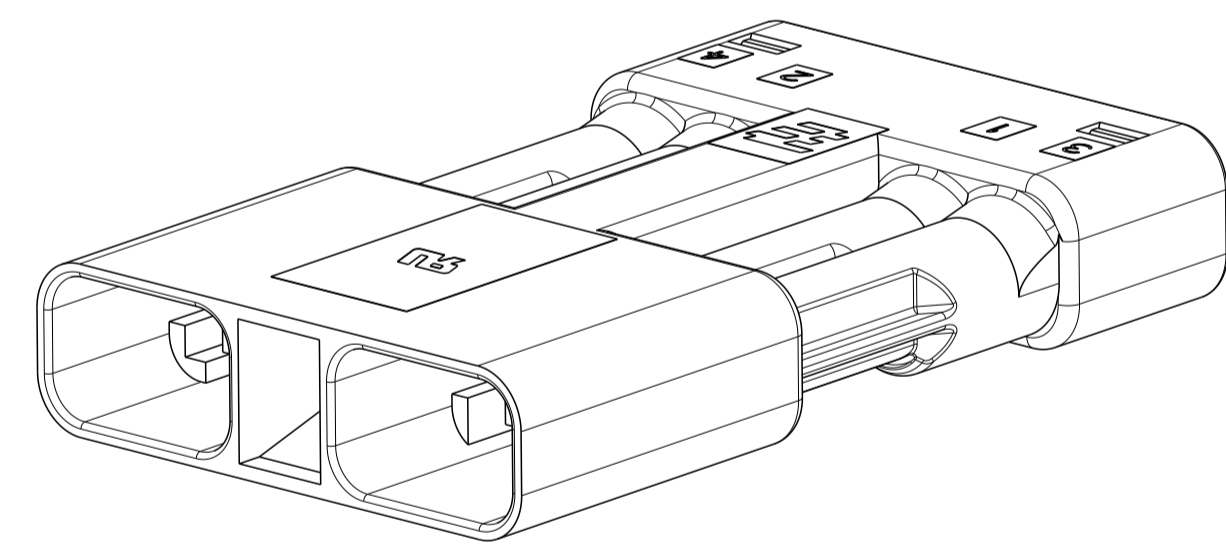


⚠ MATERIALS:  
 HOUSING: POLYCARBONATE, FI PER UL 746C,  
 COLOR: BLACK  
 WIRE GUIDE: POLYCARBONATE, FI PER UL 746C,  
 COLOR: BLACK  
 WIRE SEALS: SILICONE RUBBER, COLOR: BLUE

2. THIS PART HAS NOT COMPLETED VALIDATION TESTING.
3. MUST COMPLY WITH DIRECTIVE 2002/95/EC (ROHS).



2106136-4 SHOWN



21.40	4	2106136-4
17.90	3	2106136-3
14.40	2	2106136-2
DIM A	NO OF POSN	PART NUMBER

DIMENSIONS:		TOLERANCES UNLESS OTHERWISE SPECIFIED:		APVD		NAME	
mm	0 PLC	±		DMN	16FEB2009	TE Connectivity	
	1 PLC	±0.2		CHK	16FEB2009	ASSEMBLY, RECEPTACLE, FREE HANGING, SLIMSEAL SSL CONNECTOR	
	2 PLC	±0.15		APVD			
	3 PLC	±		PRODUCT SPEC			
	4 PLC	±		APPLICATION SPEC			
	ANGLES	±	±3	SIZE	114-13261		
MATERIAL	FINISH			WEIGHT			
				CUSTOMER DRAWING	SCALE	SHEET	REV

单击下面可查看定价，库存，交付和生命周期等信息

[>>TE Connectivity\(泰科\)](#)