

4

3

2

1

THIS DRAWING IS UNPUBLISHED.

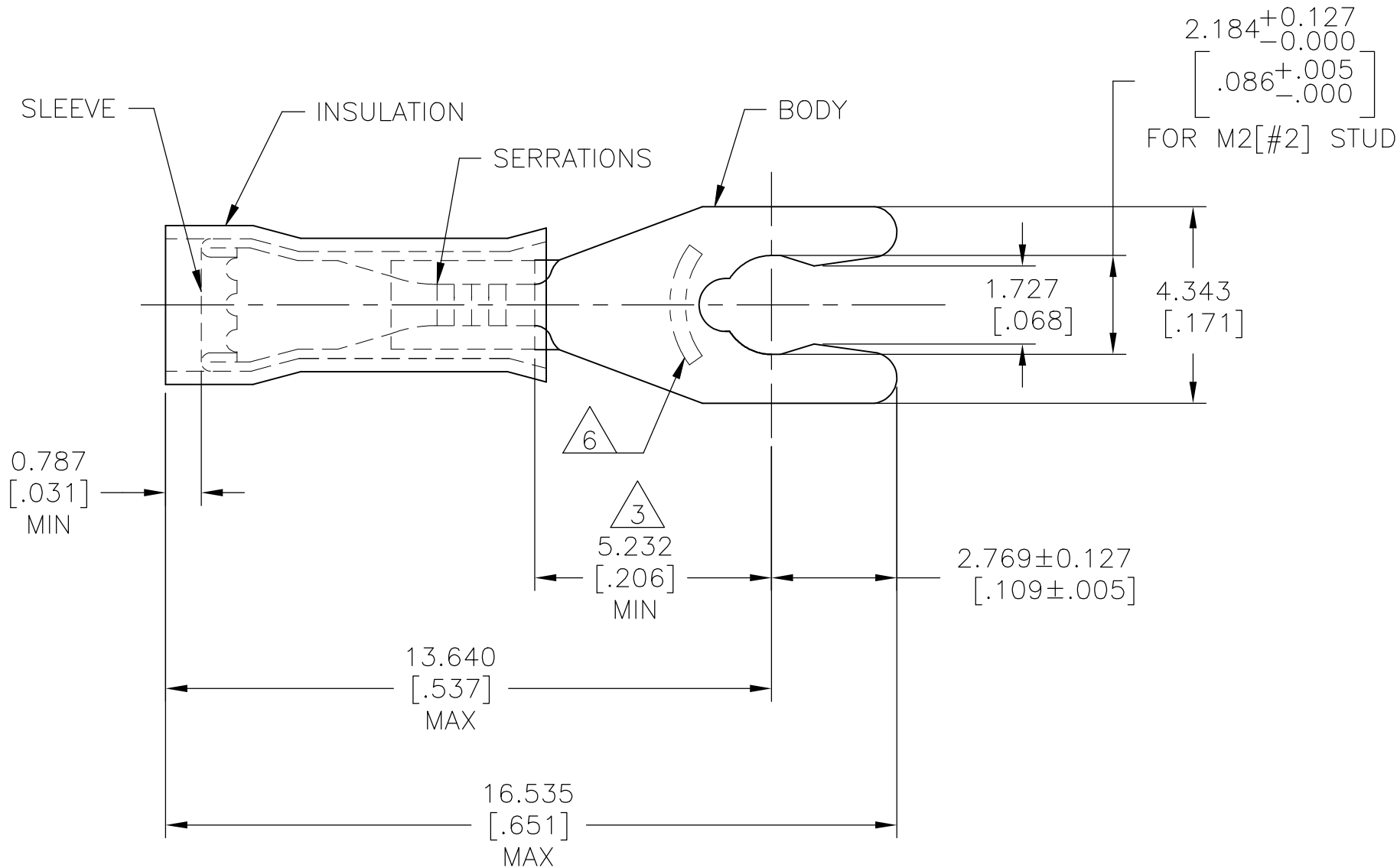
RELEASED FOR PUBLICATION

© COPYRIGHT - TE Connectivity Ltd.

ALL RIGHTS RESERVED.

REVISIONS

P	LTR	DESCRIPTION	DATE	DWN	APVD
G		REV & REDRAWN PER ECR 10-005247	09MAR10	JR	TM
G1		REVISED PER ECO-17-008114	31MAY2018	RS	DR



- 1 FOR 1.270 TO 2.083[.050 TO .082] WIRE INSULATION DIA
- 2 BODY MATERIAL THK: 0.457±0.051[.018±.002]
- 3 APPLIES FROM THE METAL EDGE OF THE BARREL TO THE CENTER OF THE STUD
- 4 MATERIAL:
BODY: PHOS BRONZE PER ASTM-B103
SLEEVE: COPPER PER ASTM-B152
INSULATION: NYLON PER ASTM-D4066 TYPE 1
- 5 FINISH:
BODY & SLEEVE: TIN PLATE PER ASTM-B545
INSULATION: COLOR - YELLOW
- 6 STAMP AMP 2S APPROX AS SHOWN

1000	WIRE TERMINAL	52921
QTY	DESCRIPTION	PART NO

AMP INCORPORATED
CUSTOMER SERVICE SYSTEMS

FOR ADDITIONAL PRODUCT INFORMATION OR COPIES OF DRAWINGS AND TECHNICAL DOCUMENTS	PRODUCT INFORMATION CENTER 1-800-522-6752
FOR APPLICATION TOOLING INFORMATION	TOOLING ASSISTANCE CENTER 1-800-722-1111
FOR ORDER ENTRY	1-800-526-5142

MAX RECOMMENDED OPERATING TEMPERATURE: 105°C [221°F]
VOLTAGE RATING: 300 V MAX
WIRE CROSS SECTIONAL AREA RANGE, 0.10-0.41mm²[202-810] CIR MILS STRANDED

THIS DRAWING IS A CONTROLLED DOCUMENT.	
DIMENSIONS: mm [INCHES]	TOLERANCES UNLESS OTHERWISE SPECIFIED:
	0 PLC ± -
	1 PLC ± -
	2 PLC ± -
	3 PLC ± 0.127[.005]
	4 PLC ± -
	ANGLES ± 5°
MATERIAL	FINISH
4	5

DWN	09MAR10
CHK	jr ruth
APVD	09MAR10
PRODUCT SPEC	TOM MICHIELUTTI
APPLICATION SPEC	TOM MICHIELUTTI
WEIGHT	114-2157
CUSTOMER DRAWING	

TE Connectivity Ltd.			
NAME WIRE TERMINAL, PIDG, SPRING SPADE WIRE SIZE: 26-22			
SIZE	CAGE CODE	DRAWING NO	RESTRICTED TO
A3	00779	C-52921	-
SCALE 8:1		SHEET 1 OF 1	REV G1

单击下面可查看定价，库存，交付和生命周期等信息

[>>TE Connectivity\(泰科\)](#)