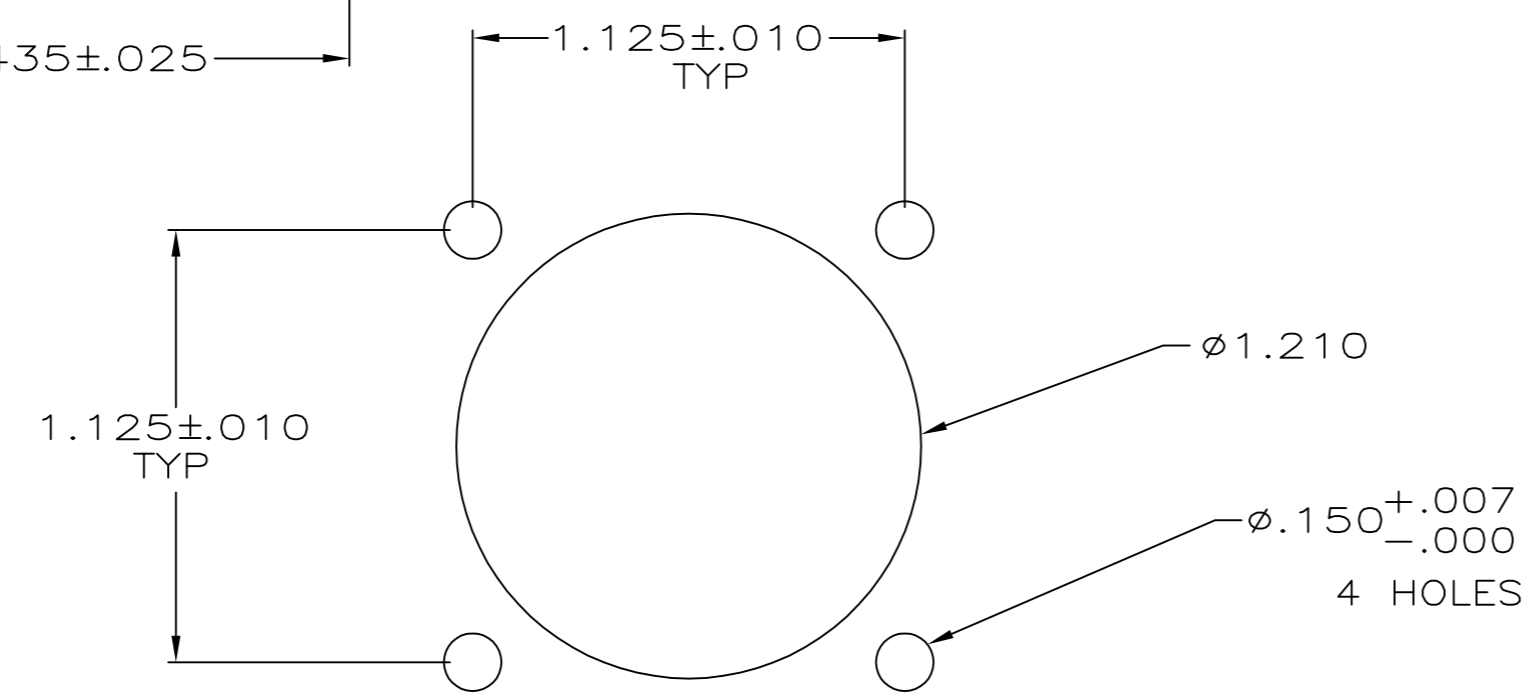
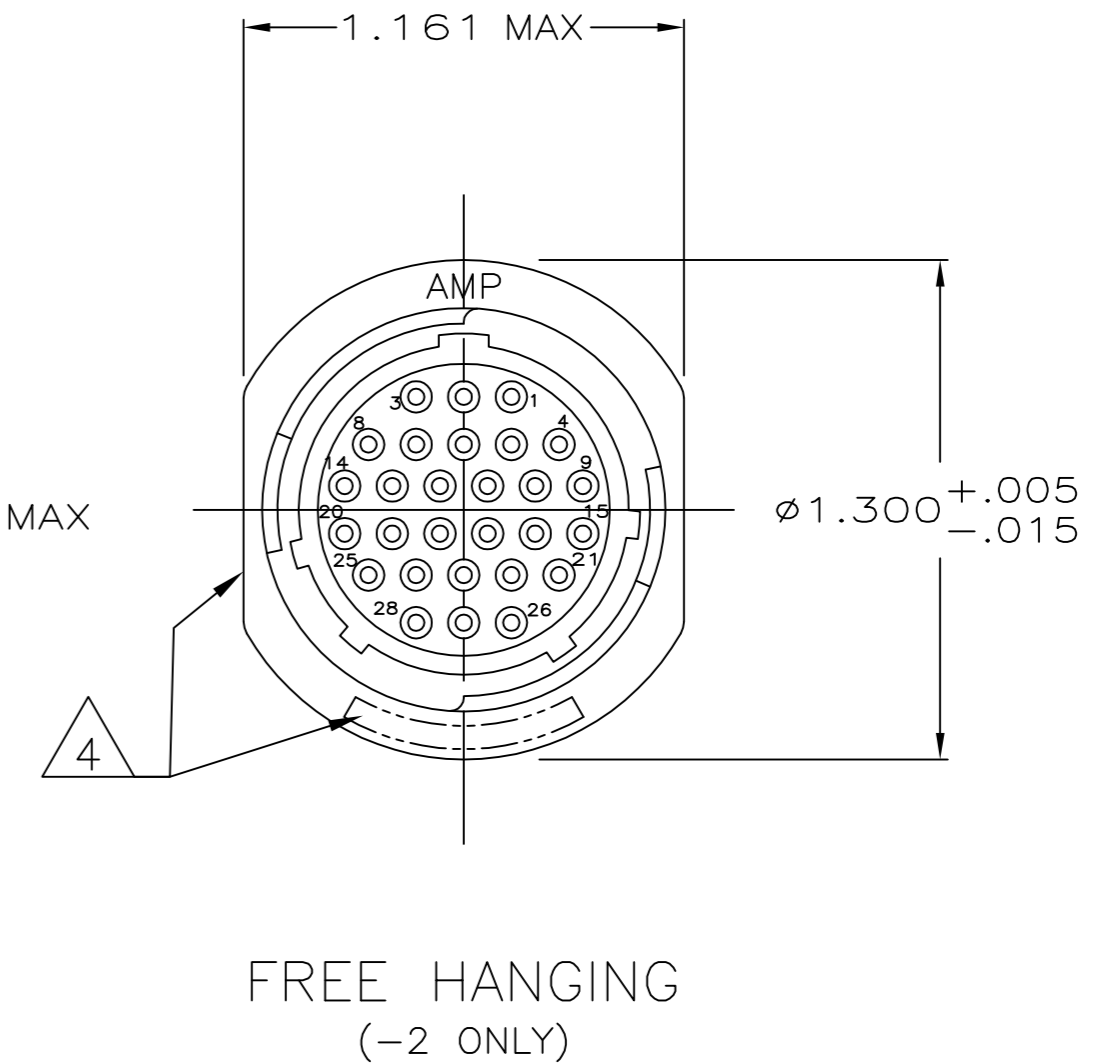
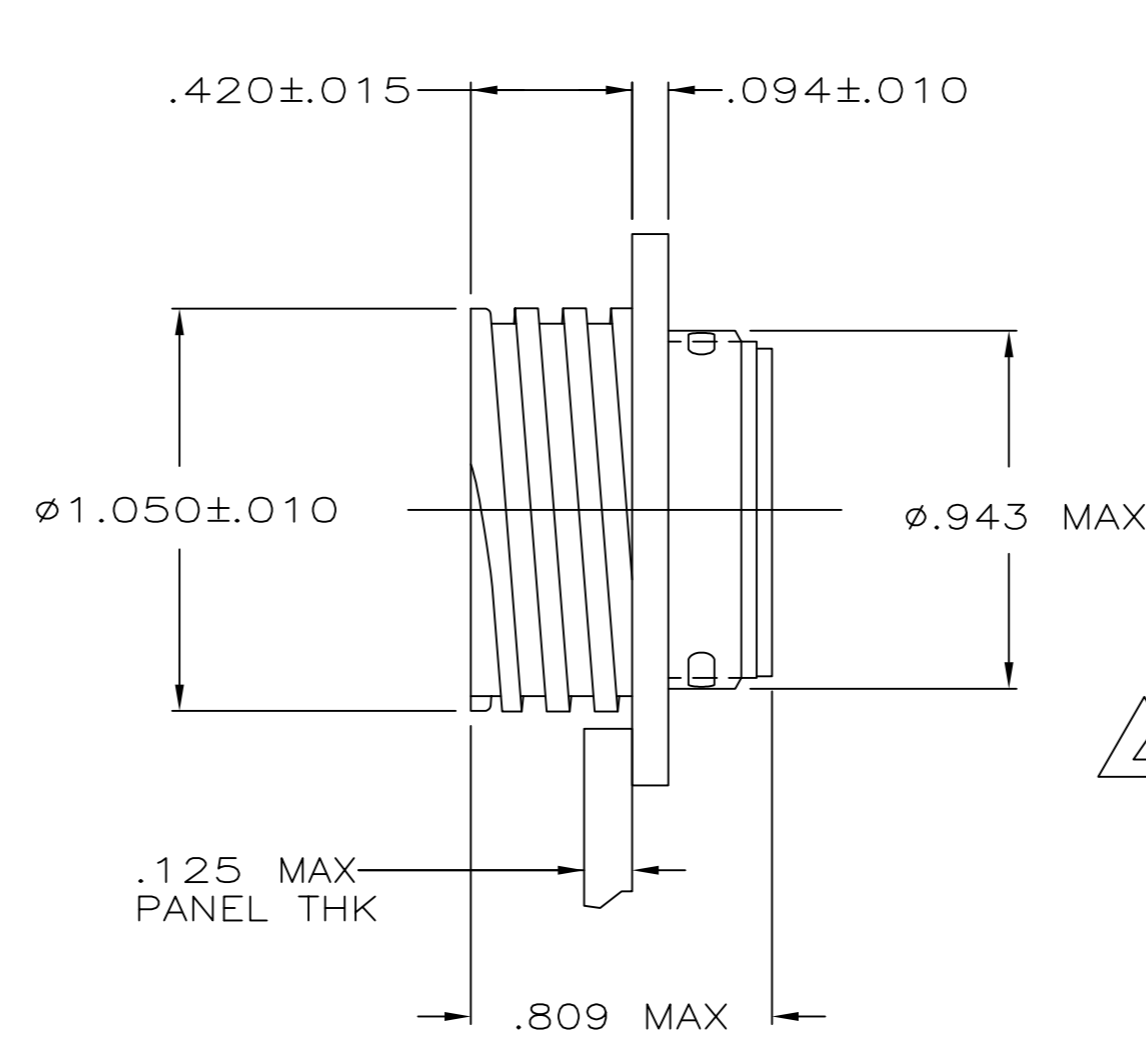
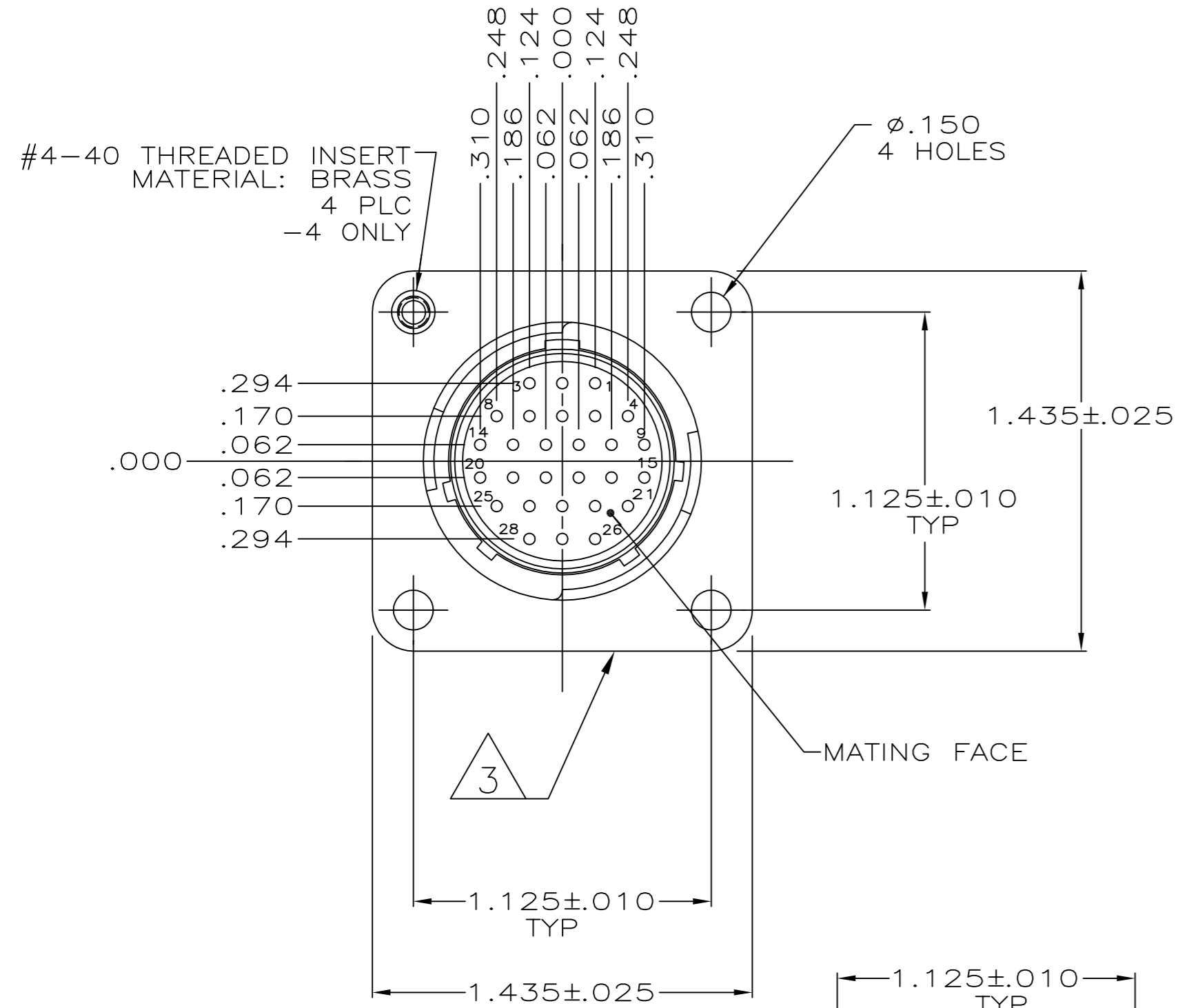


THIS DRAWING IS UNPUBLISHED. RELEASED FOR PUBLICATION
 © COPYRIGHT - By - ALL RIGHTS RESERVED.

| REVISIONS | | | | | |
|-----------|-----|---------------------------|-----------|-----|------|
| P | LTR | DESCRIPTION | DATE | DWN | APVD |
| H1 | | REVISED PER ECO-11-004820 | 11MAR11 | RK | HMR |
| J | | REVISED PER ECO-18-000969 | 23JAN2018 | RS | MZ |



PANEL CUTOUT

- 1 CONTACT CAVITIES IDENTIFIED BY CHARACTERS ON FRONT AND REAR FACES OF CONNECTOR.
- 2 WILL ACCEPT (28) SIZE 20 SOCKET CONTACTS.
- 3 PART NUMBER AND DATE CODE MARKED ON ANY FLANGE EDGE.
- 4 PART NUMBER AND DATE CODE MARKED ON ANY FLANGE EDGE OR TOP OF FLANGE.

| |
|-------------|
| 206038-4 |
| 206038-2 |
| 206038-1 |
| PART NUMBER |

| | | | | | |
|--|--|------------------------|---|-----------------|---------------------|
| THIS DRAWING IS A CONTROLLED DOCUMENT. | | DWN A.STAUB BG 4/5/91 | TE Connectivity Ltd. | | |
| DIMENSIONS: INCHES | | CHK W.G.LENKER 7-24-92 | | | |
| TOLERANCES UNLESS OTHERWISE SPECIFIED: | | APVD K.BEAVER 7-24-92 | NAME RECEPTACLE ASSEMBLY, REV SEX, SERIES 2, 17-28, CPC | | |
| 0 PLC ± - 1 PLC ± - 2 PLC ± - 3 PLC ± .005 4 PLC ± - ANGLES ± - FINISH - | | PRODUCT SPEC 108-10024 | SIZE A2 | CAGE CODE 00779 | DRAWING NO C=206038 |
| MATERIAL THERMOPLASTIC, BLACK | | WEIGHT | RESTRICTED TO | | SCALE 2:1 |
| | | CUSTOMER DRAWING | SHEET 1 of 1 | | REV J |

单击下面可查看定价，库存，交付和生命周期等信息

[>>TE Connectivity\(泰科\)](#)