

RECOMMENDED CIRCUIT PATTERN  
 PER IPC-D300 TYPE II, CLASS C  
 (COMPONENT SIDE)

PART NUMBER 536699-1

D	AC		AC		D		
C	AC		AC		C		
B	AA		AA		B		
A	AA		AA		A		
ROW	1	2	3	4	5	6	ROW
POSITION							
CONTACT LOAD CHART							

-	NO CONTACT	NO CONTACT
AC	8.00	4.25
AA	6.50	4.25
LETTER CODE	DIM Y	DIM Z

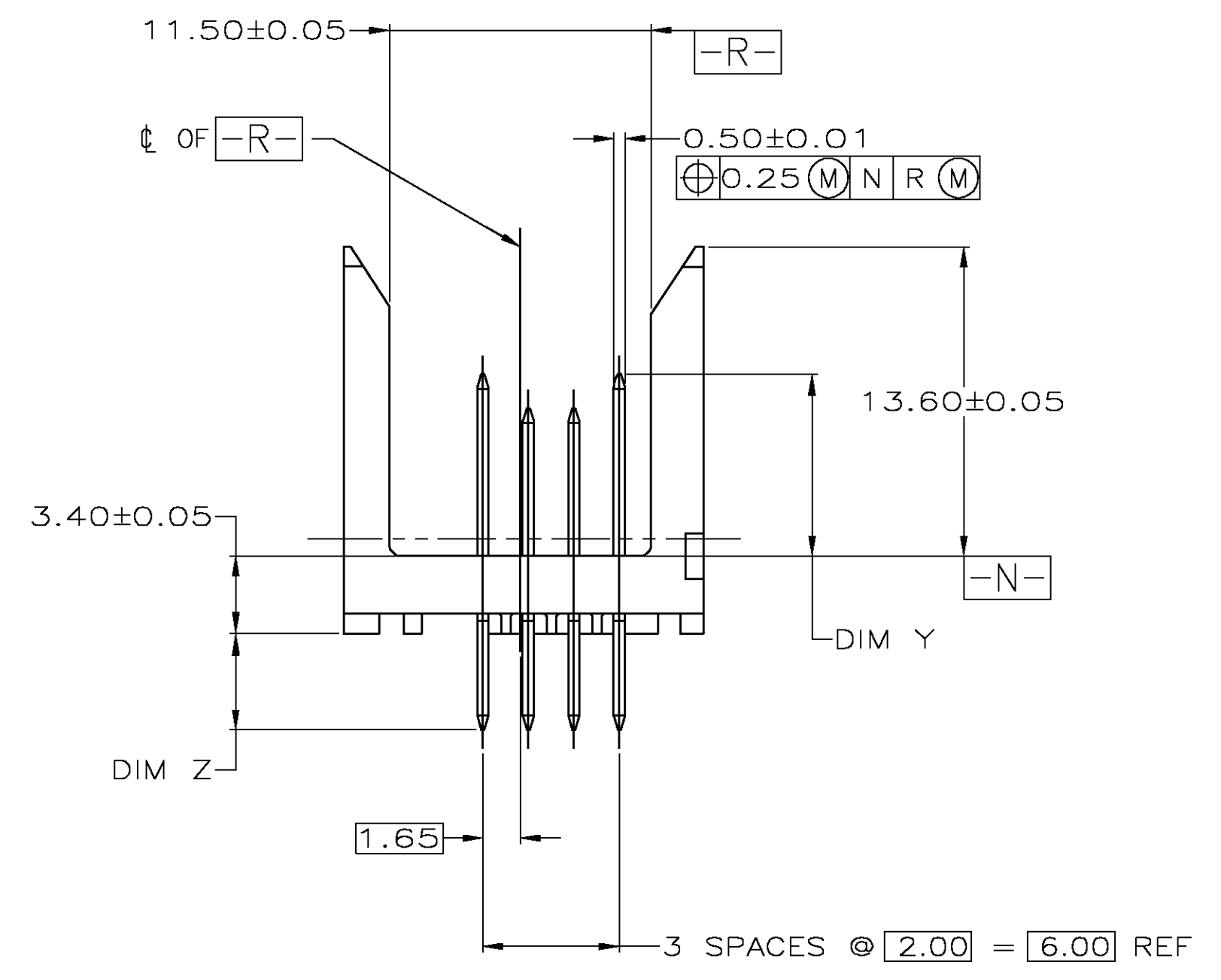
PART NUMBER 5536699-2

D	AC		-		D		
C	AC		-		C		
B	AA		-		B		
A	AA		-		A		
ROW	1	2	3	4	5	6	ROW
POSITION							
CONTACT LOAD CHART							

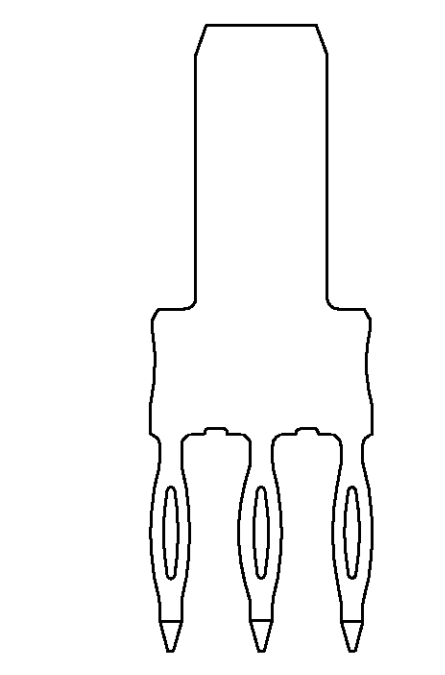
PART NUMBER 5536699-3

D	AC		AA		D		
C	AC		AA		C		
B	AC		AA		B		
A	AC		AA		A		
ROW	1	2	3	4	5	6	ROW
POSITION							
CONTACT LOAD CHART							

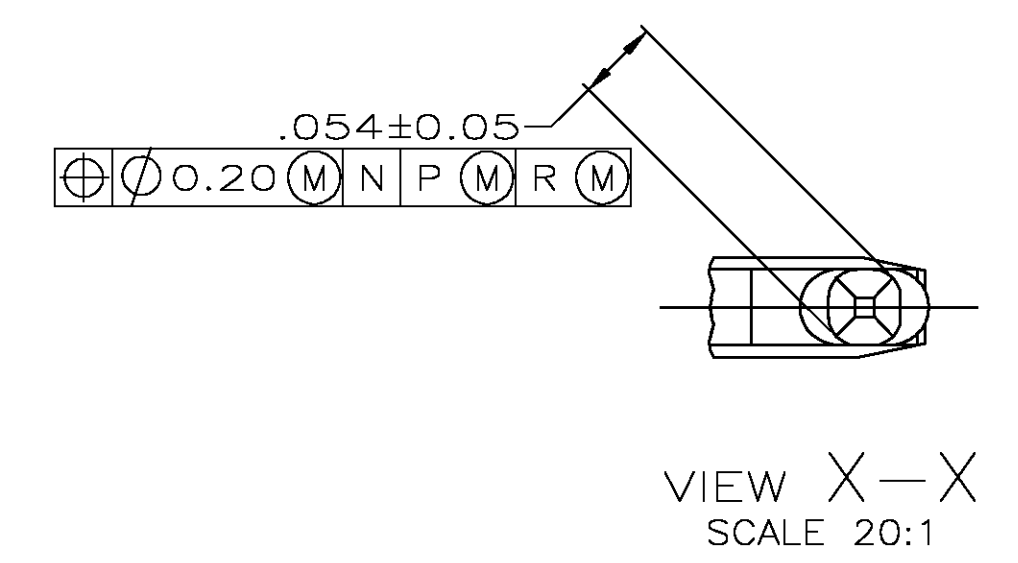
- △ HOUSING MATERIAL: LIQUID CRYSTAL POLYMER. COLOR: NATURAL.
- △ CONTACT MATERIAL: PHOSPHOR BRONZE.
- △ CONTACT FINISH:(D)  
 UNDERPLATE (ENTIRE CONTACT):  
 0.00127 MIN NICKEL PER SAE-AMS-QQ-N-290  
 ON MATING SURFACES:  
 FLASH GOLD PER ASTM B 488, OVER  
 0.00076 MIN PALLADIUM-NICKEL OVER UNDERPLATE, OR  
 0.00076 MIN GOLD PER ASTM B 488 OVER UNDERPLATE.  
 ON LEADS:  
 0.00127 MIN MATTE TIN PER ASTM B 545 OVER UNDERPLATE.  
 LUBRICATION (MIN MATING SURFACES):  
 SURFACE CONDITIONER AFTER PLATING.
- △ PART MARKING LOCATED APPROXIMATELY AS SHOWN.



5536699-1 AS SHOWN



SECTION A-A  
 SCALE 6:1



VIEW X-X  
 SCALE 20:1

△	5536699-3
△	5536699-2
△	5536699-1
FINISH	PART NUMBER

THIS DRAWING IS A CONTROLLED DOCUMENT.

DIMENSIONS: mm	TOLERANCES UNLESS OTHERWISE SPECIFIED:	DWG CHAD BAKER 10-07-98	APVD D KOVALICK 10-10-98	NAME	TYCO Electronics	Tyco Electronics Corporation Harrisburg, Pa 17105-3508
0 PLC ± -	1 PLC ± -	2 PLC ± 0.13	3 PLC ± -	4 PLC ± -	ANGLES ± -	FINISH
MATERIAL	FINISH	WEIGHT	SIZE	CAGE CODE	DRAWING NO	RESTRICTED TO
△ 1 △ 2 △ 3			A1	00779	5536699	
CUSTOMER DRAWING			SCALE	SHEET	REV	
			4:1	1 OF 1	0	

单击下面可查看定价，库存，交付和生命周期等信息

[>>TE Connectivity\(泰科\)](#)