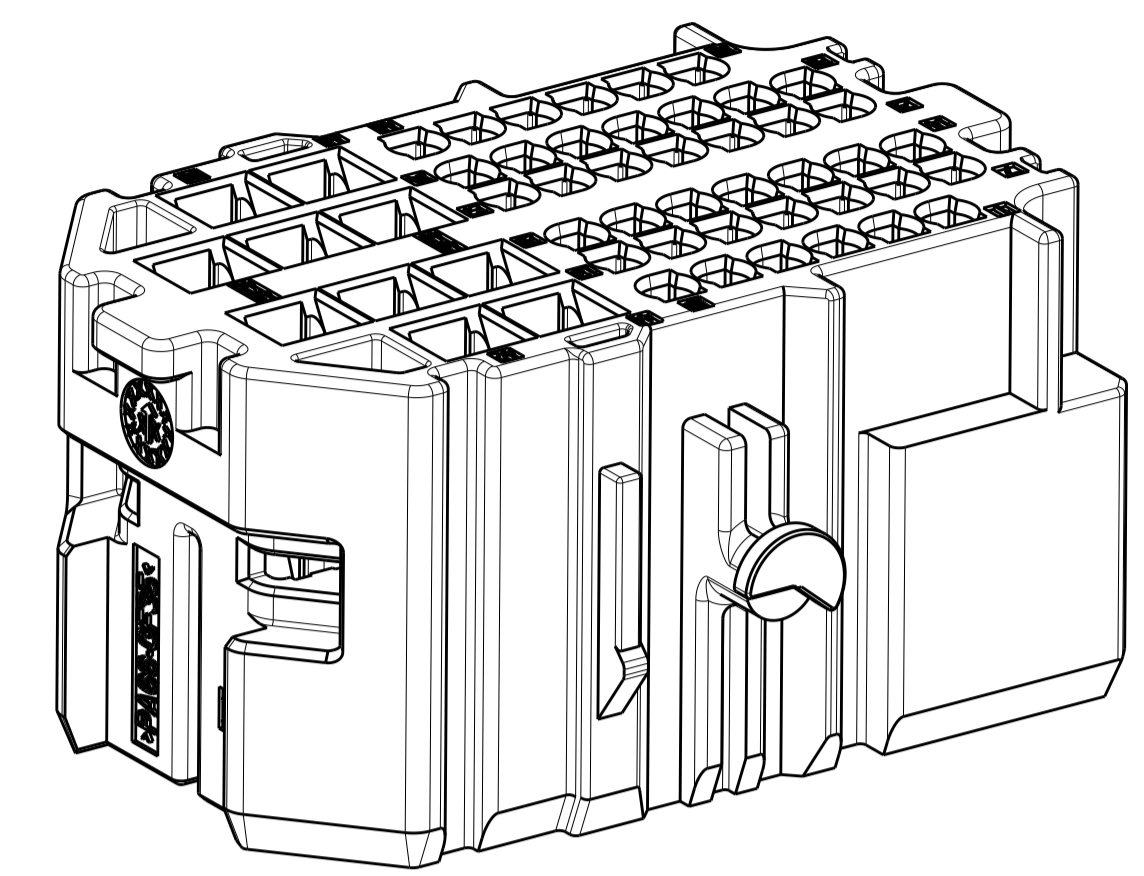
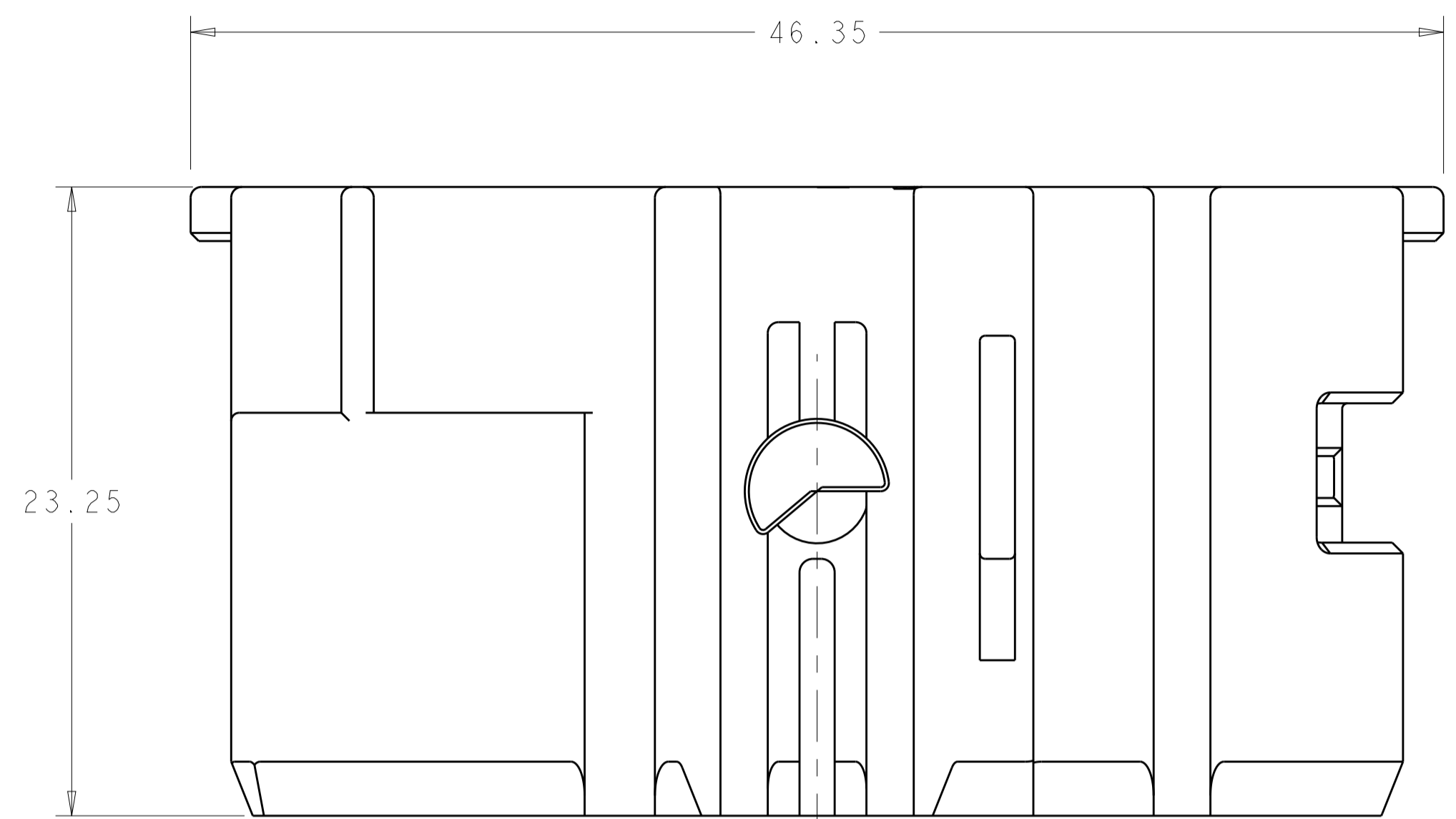
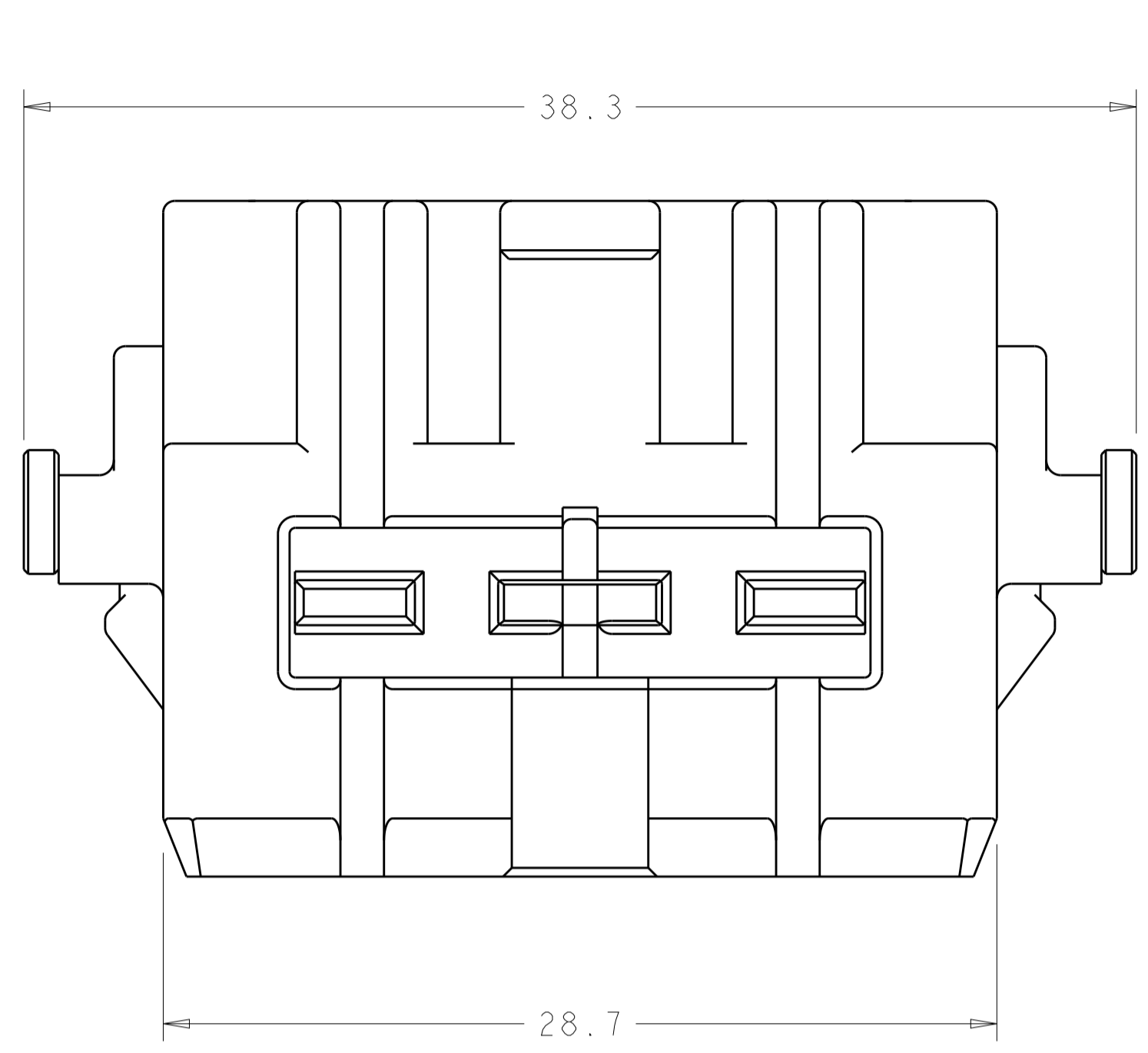
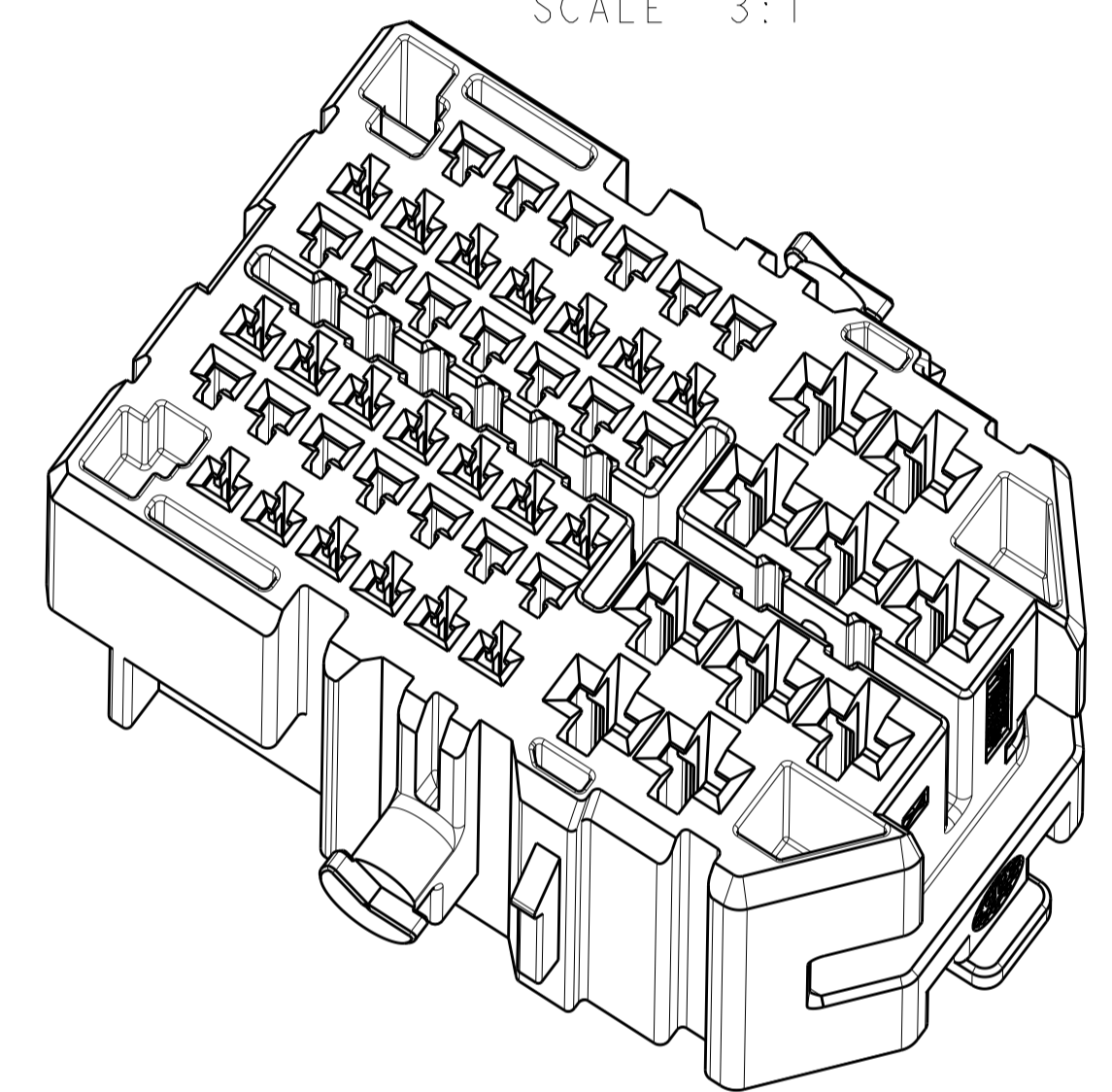


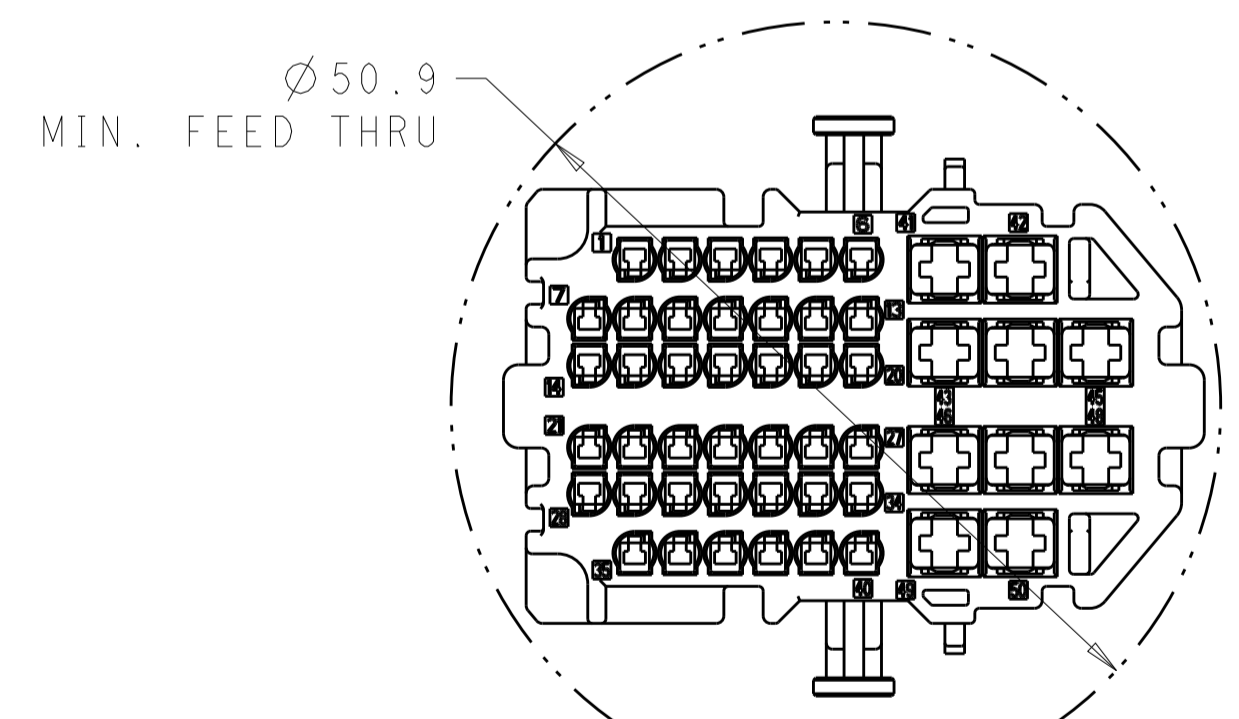
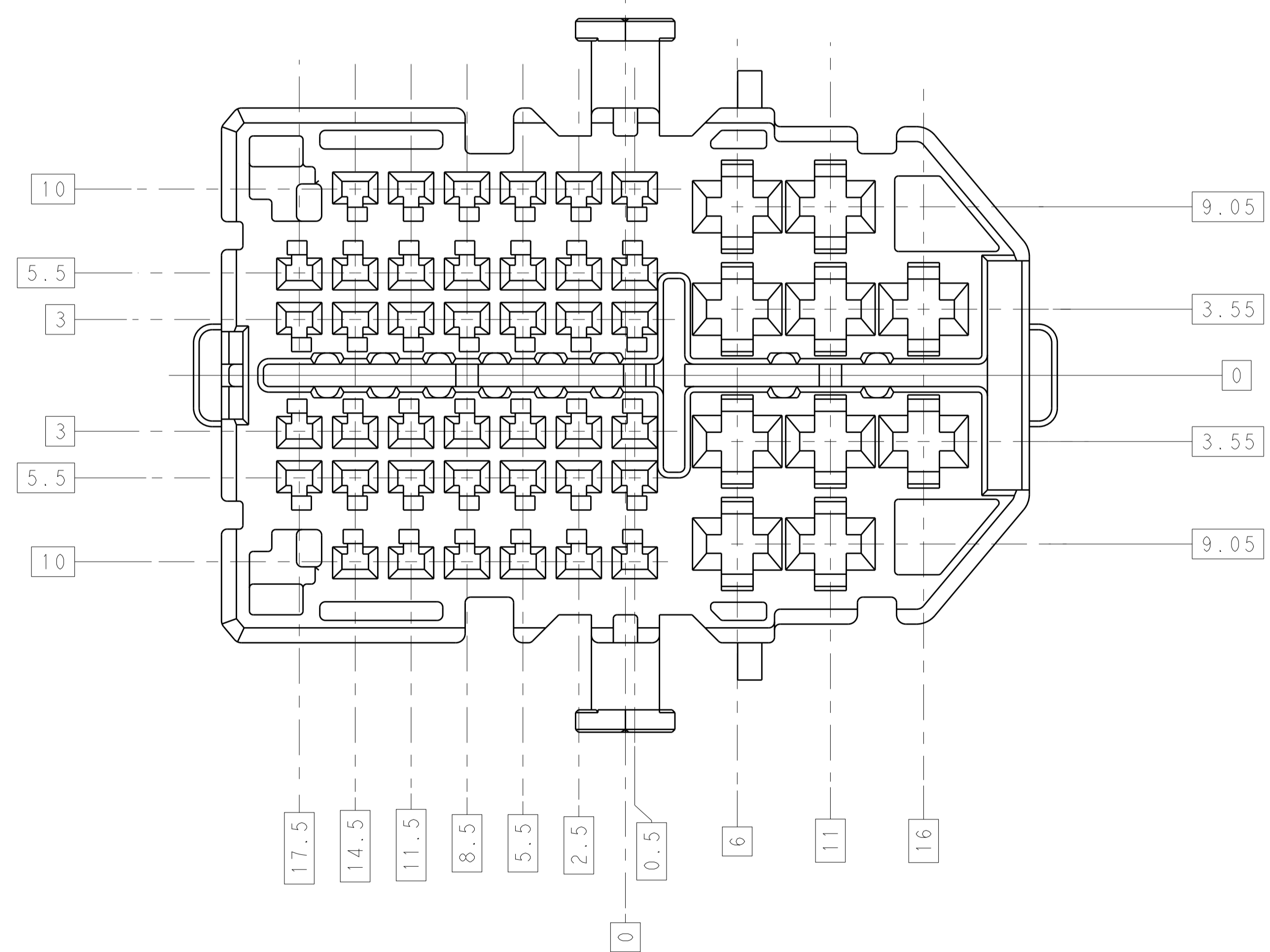
LOC	DIST	REVISIONS			
		REV	DESCRIPTION	DATE	BY
		A	REV PER ECR-12-004053	01MAR2012	MBH
		A1	REV PER ECR-12-006015	29MAR2012	AJV
		B	REV PER ECR-12-015865	07SEP2012	AJV



ISOMETRIC VIEWS
SCALE 3:1



APPLICABLE COMPONENTS CHART			
TE PART #	FINISH	WIRE SIZE	DESCRIPTION
1452653-1	TIN	0.25-0.35mm ²	MCON 1.2 RECEPTACLE
1452653-2	GOLD		
1452653-3	SILVER		
1452656-1	TIN	0.50-0.75mm ²	
1452656-2	GOLD		
1452656-3	SILVER		
1452659-1	TIN	1.0mm ²	
1452659-2	GOLD		
1452659-3	SILVER		
1564982-1	TIN	0.20-0.35mm ²	MCP 2.8 RECEPTACLE
1564982-2	GOLD		
1564982-3	SILVER		
1241388-1	TIN	0.50-1.00mm ²	
1241388-2	GOLD		
1241388-3	SILVER		
1241390-1	TIN	1.00-2.50mm ²	
1241390-2	GOLD		
1241390-3	SILVER		



SCALE 2:1

- NOTES:
- MATERIAL: NYLON 6/6, 35% GLASS FILLED
 - SEE APPLICABLE COMPONENTS CHART FOR MATING TERMINALS
 - SECONDARY LOCKS REQUIRED (PURCHASED SEPARATELY):
 TE P/N 2138417-1 (2.8 MCP TERMINALS) - 1 REQ'D PER CONNECTOR
 TE P/N 2138418-1 (1.2 MCON TERMINALS) - 1 REQ'D PER CONNECTOR
 - PART NUMBER 2138420-1 SHOWN IN GENERAL VIEWS.
 - MAXIMUM MATING FORCE OF THIS CONNECTOR WHEN FULLY POPULATED WILL EXCEED THE 75N LIMIT SUGGESTED BY USCAR-25. MATING FORCE OF 83N MAX WERE RECORDED DURING QUALIFICATION TESTING.

NOT TOOLED	D	2138420-4
NOT TOOLED	C	2138420-3
TOOLED	B	2138420-2
TOOLED	A	2138420-1
STATUS	KEY CODE	PART NUMBER

THIS DRAWING IS A CONTROLLED DOCUMENT. DWG: A_VASBINDER_08MAR2011
 CHK: A_VASBINDER_09MAY2011
 APVD: A_VASBINDER

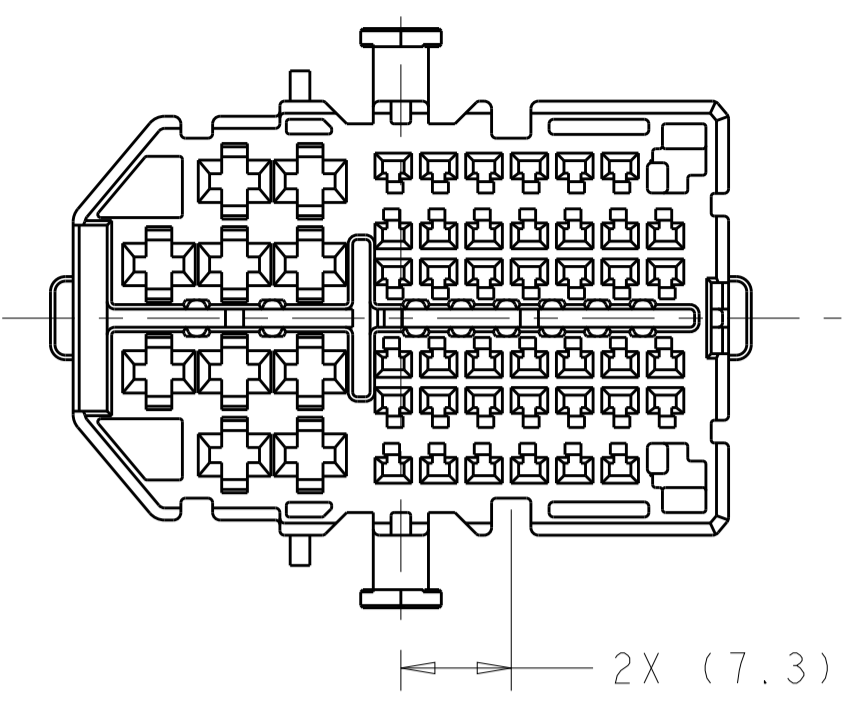
TE Connectivity

NAME: 50 WAY HYBRID, RECEPTACLE PLUG
 MCON 1.2 / MCP 2.8 TERMINAL SYSTEMS

SIZE: A1 CAGE CODE: 2138420 DRAWING NO: 100779

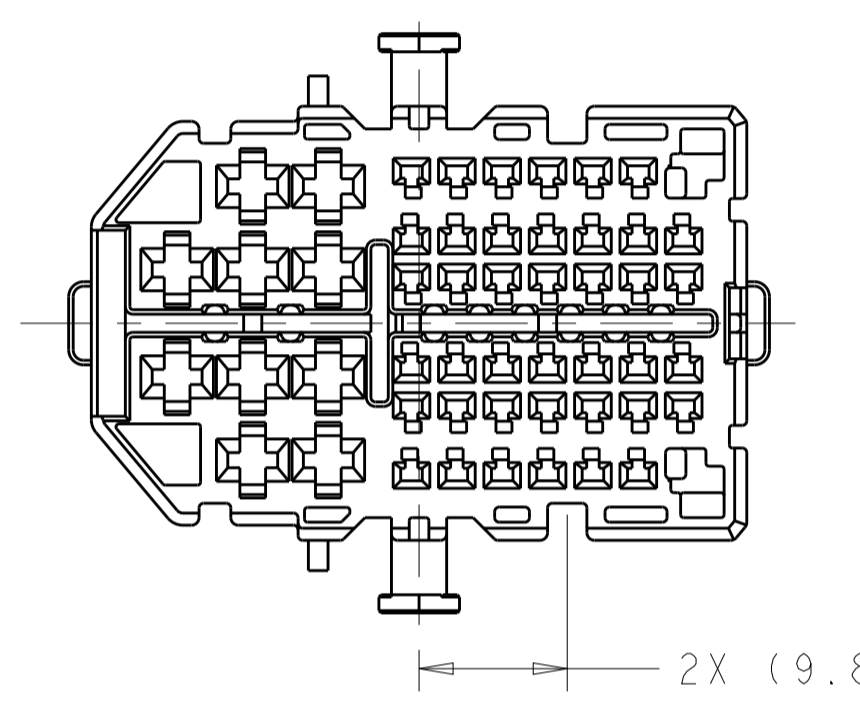
SCALE: 2:1 SHEET 1 OF 2 REV B

LOC		DIST		REVISIONS			
P	LTN	DESCRIPTION	DATE	OWN	APVD		
-	-	SEE SHEET 1	-	-	-		



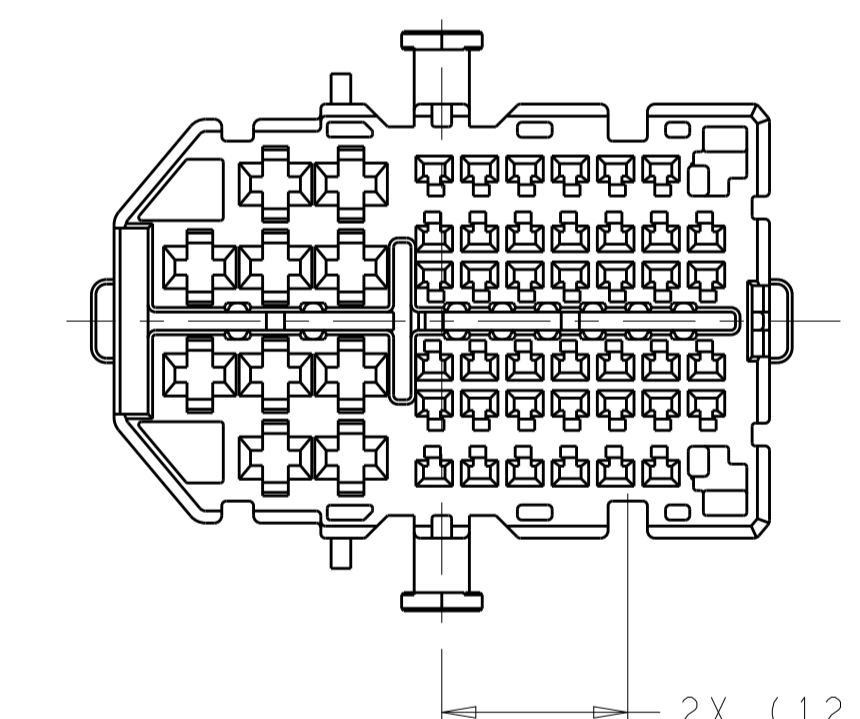
SCALE 2:1

2138420-1 KEY CODE A



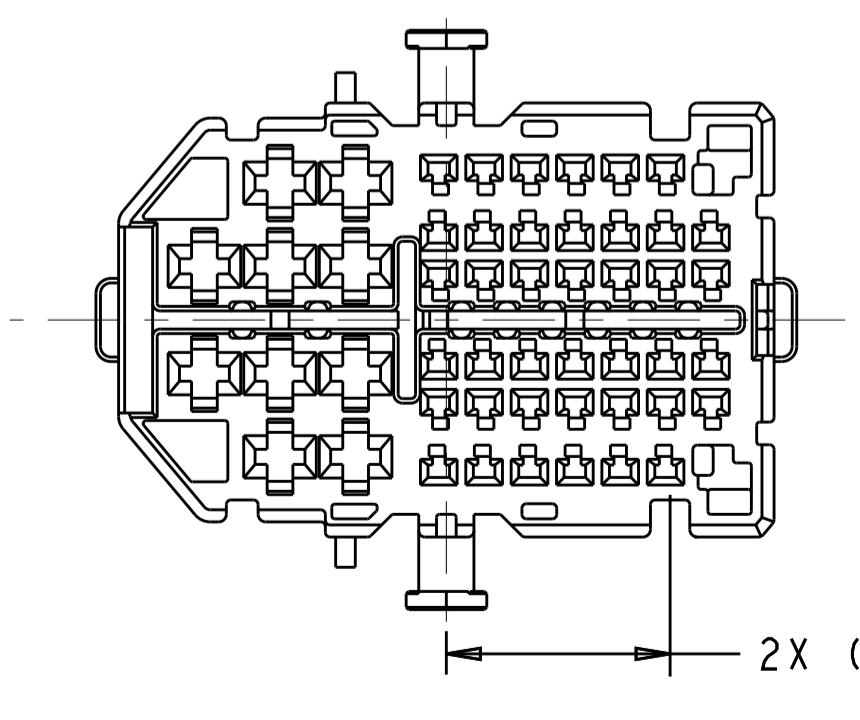
SCALE 2:1

2138420-2 KEY CODE B



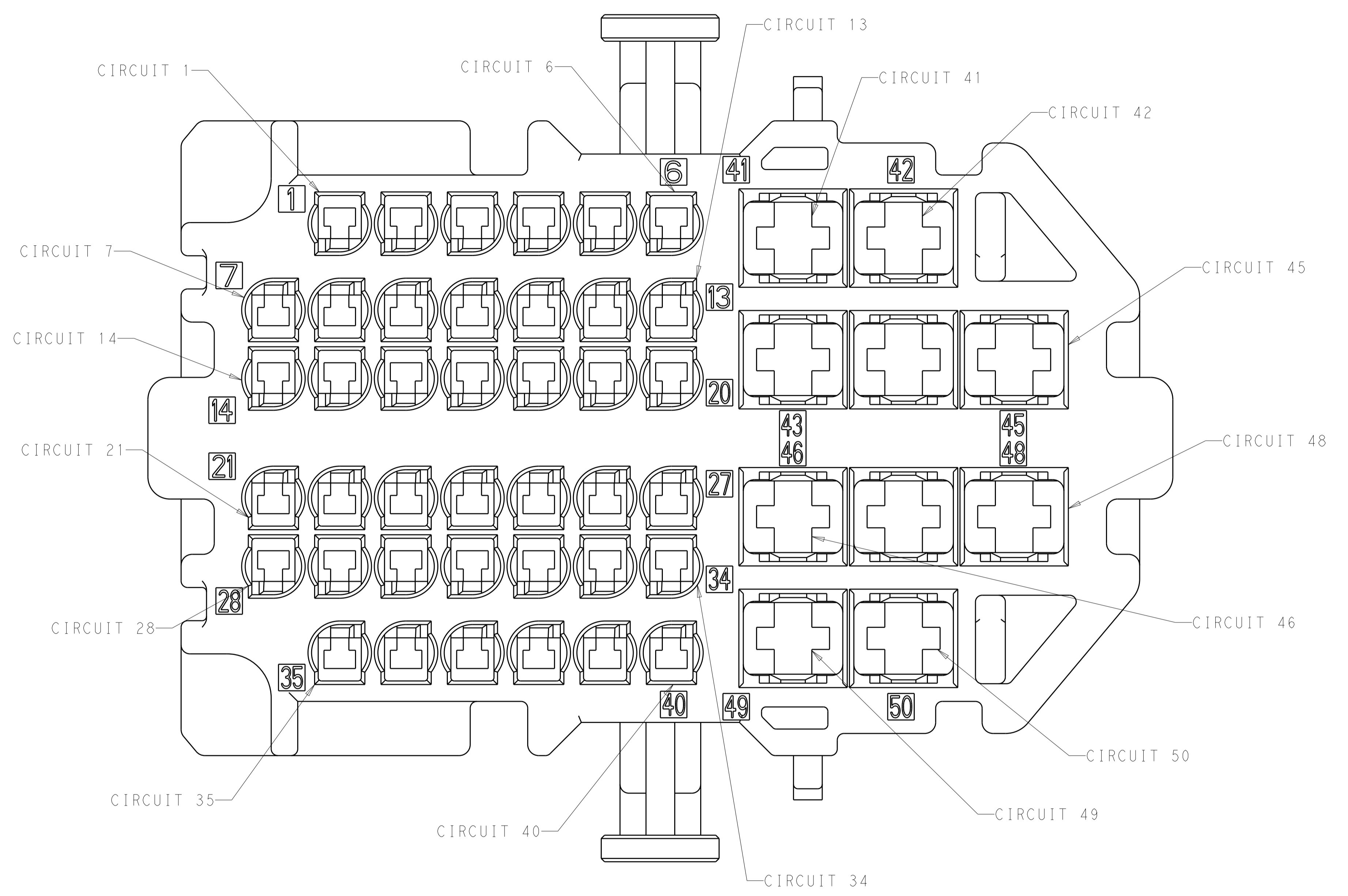
SCALE 2:1

2138420-3 KEY CODE C



SCALE 2:1

2138420-4 KEY CODE D



CIRCUIT NUMBERING
 SCALE 8:1
 WIRE SIDE OF CONNECTOR

THIS DRAWING IS A CONTROLLED DOCUMENT.		OWN: A. VASBINDER 08MAR2011	TE Connectivity NAME: 50 WAY HYBRID, RECEPTACLE PLUG MCON 1.2 / MCP 2.8 TERMINAL SYSTEMS
DIMENSIONS: mm		CHK: A. VASBINDER 09MAY2011	
TOLERANCES UNLESS OTHERWISE SPECIFIED:		APVD: A. VASBINDER	PRODUCT SPEC
0 PLC ±			APPLICATION SPEC
1 PLC ±0.5			SIZE: A100779C=2138420
2 PLC ±0.3			RESTRICTED TO
3 PLC ±			WEIGHT
4 PLC ±			CUSTOMER DRAWING
ANGLES ±			SCALE: 2:1
FINISH			SHEET 2 OF 2
			REV B

单击下面可查看定价，库存，交付和生命周期等信息

[>>TE Connectivity\(泰科\)](#)