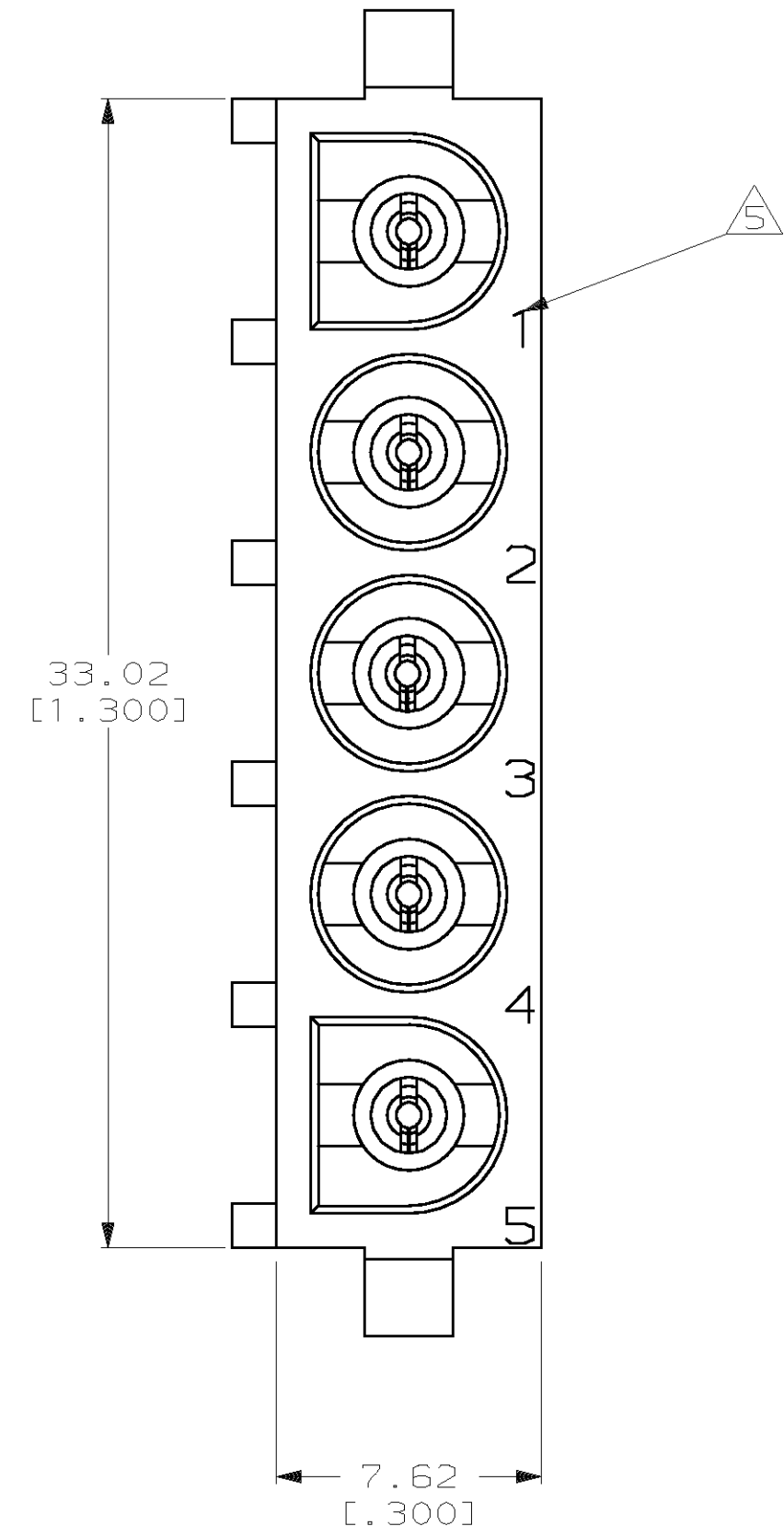
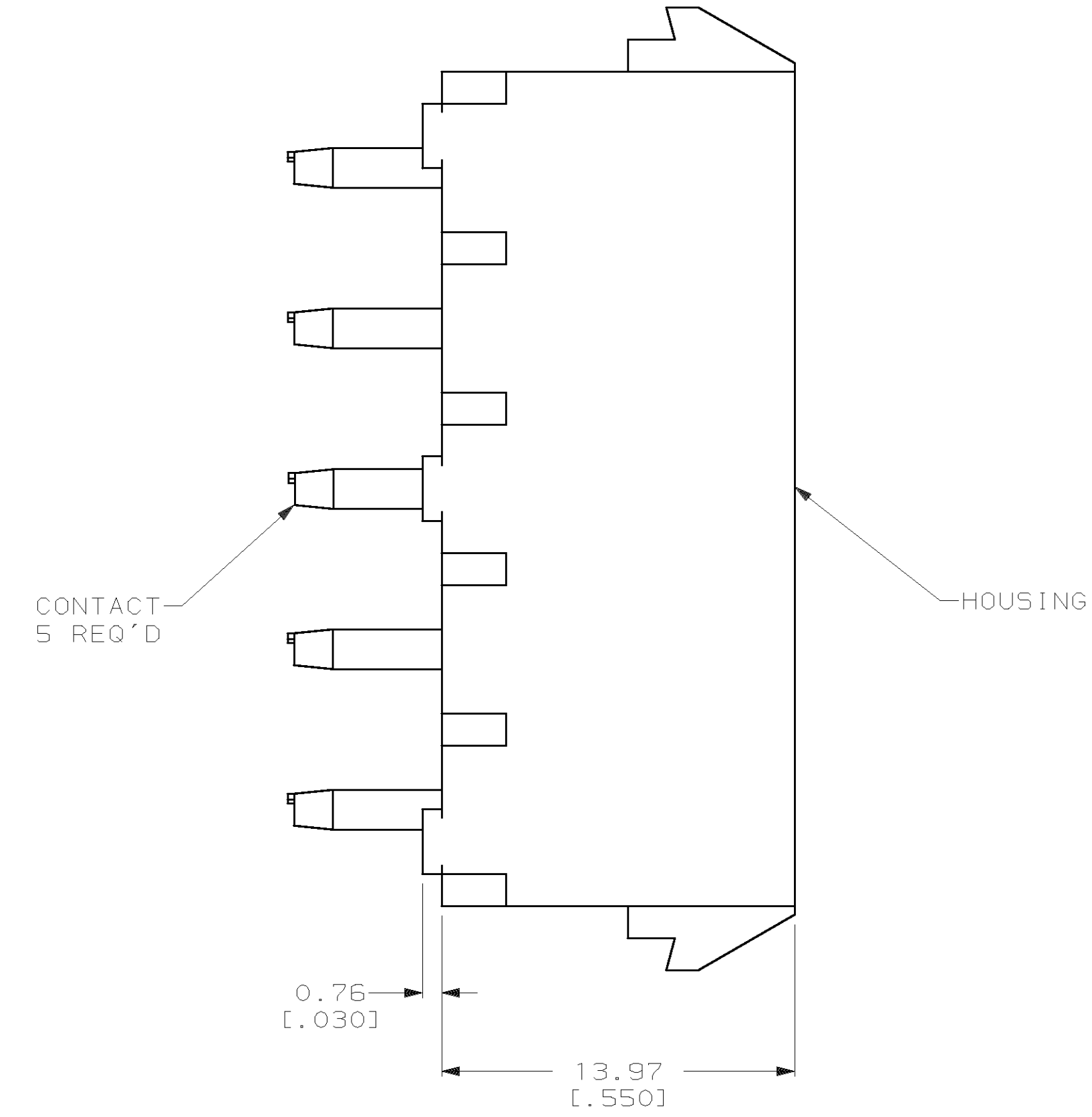
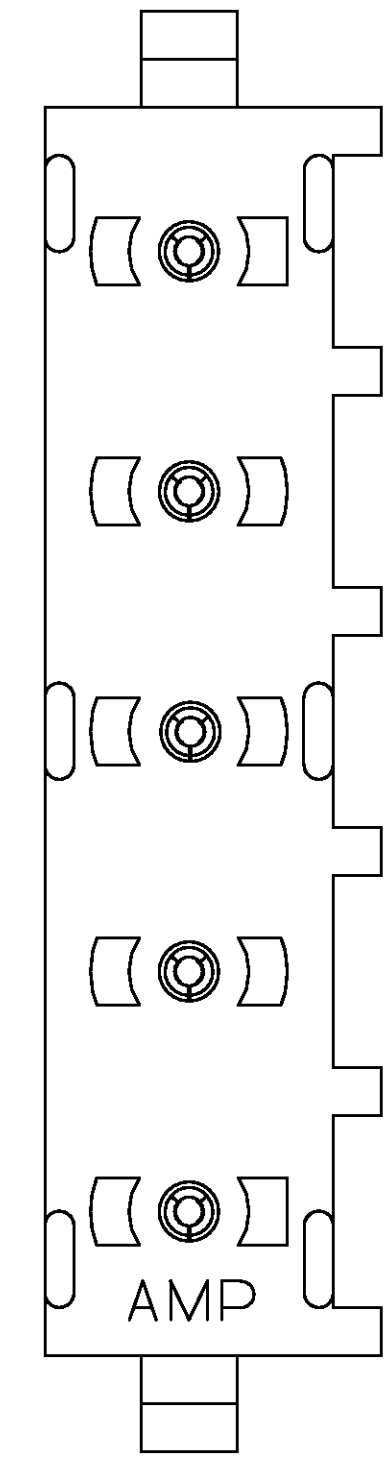
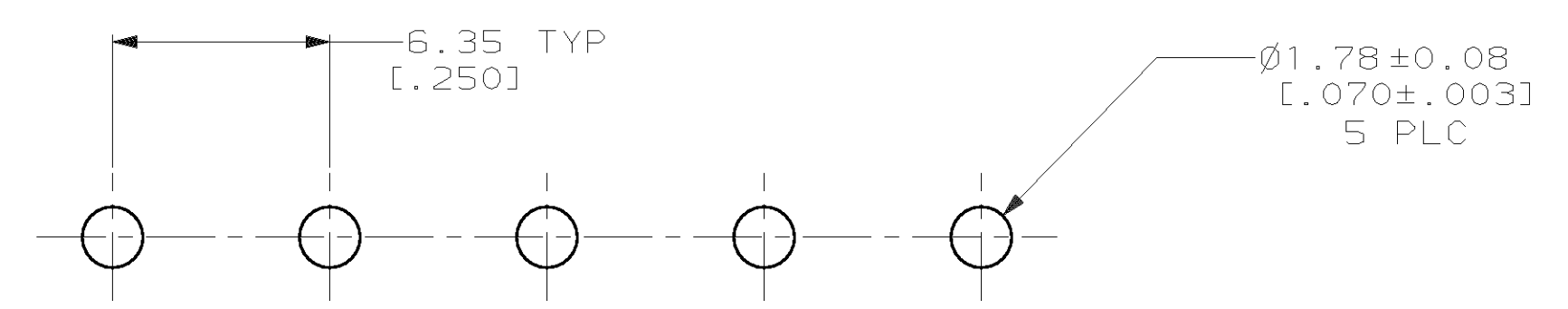


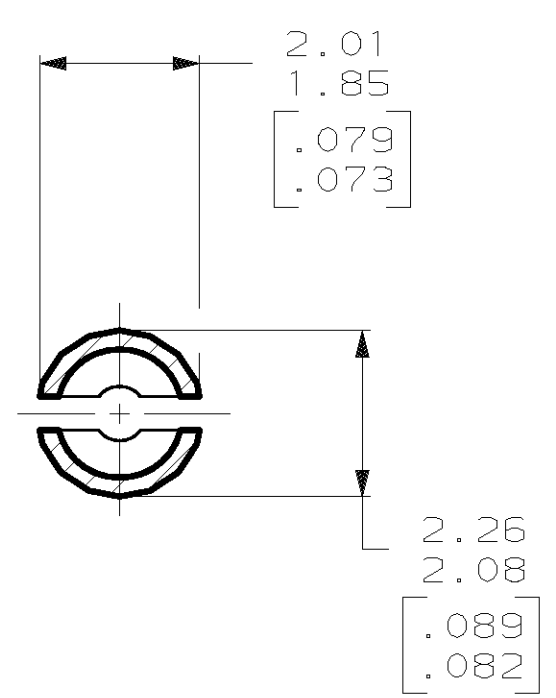
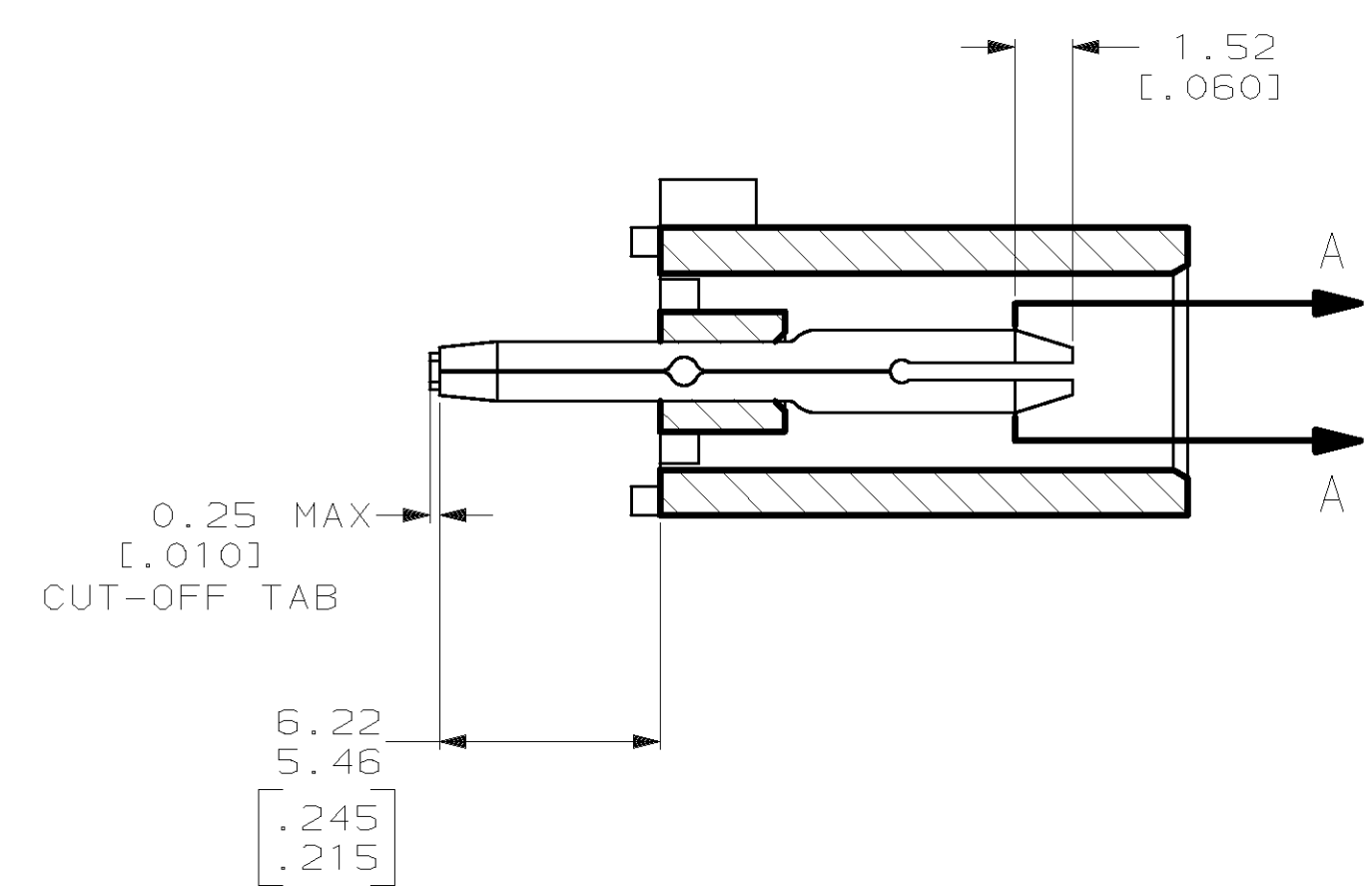
LOC	DIST	P	F	ZONE	LTR	DESCRIPTION	DATE	APPD
CM	53			A		REV PER EC 0G1B-0261-98	28-JAN-99	BL/RS



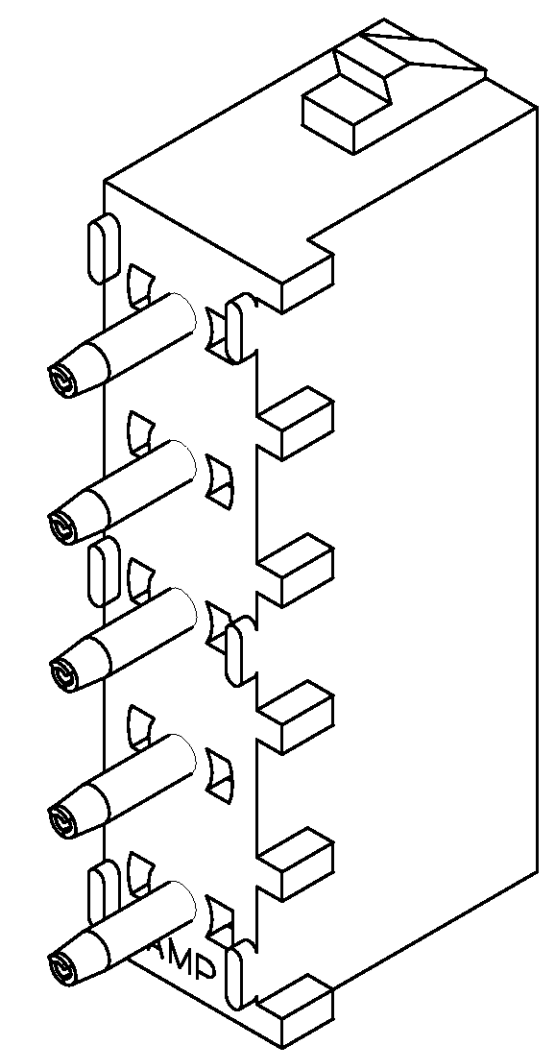
- PARTS COMPLY WITH AMP SOLDERABILITY SPECIFICATION 109-11-3.
 -
 -
 - DIMENSIONS IN BRACKETS ARE IN INCHES.
- △ CIRCUIT IDENTIFICATION CHARACTERS ARE ADJACENT TO THE INDICATED CAVITIES, BUT LOCATION AND ORIENTATION MAY DIFFER FROM PRINT.



RECOMMENDED MOUNTING HOLE PATTERN FOR 3.18 [.125] THICK P.C. BOARD



SECTION A-A
SCALE 10:1



3-DIMENSIONAL MODEL NTS

PHOSPHOR BRONZE, PRE-TIN	NYLON, UL94V-0, WHITE	794283-1
PIN CONTACT MATERIAL AND FINISH	HOUSING MATERIAL	PART NO
DO NOT SCALE PRINT. UNLESS SPECIFIED DIMENSIONS IN mm [INCHES] TOLERANCES ON: 2 PLC DEC ± 0.13 [.005] 3 PLC DEC ± - ANGLES ± -	2-20-97 R. VESTAL 2-20-97 R. SWING 2-20-97 M. TRULL 2-20-97 M. TRULL	AMP AMP Incorporated Harrisburg, PA 17105-3508
SEE TABLE	PRODUCT SPEC -	NAME PIN HEADER ASSEMBLY, 5 CIRCUIT, UNIVERSAL MATE-N-LOK™
SEE TABLE	APPLICATION SPEC -	SIZE D 00779 C-794283
	WEIGHT -	CAGE CODE 00779
		DRAWING NO C-794283
		SCALE 5:1
		SHEET 1 OF 1

METRIC

THIS DRAWING IS A CONTROLLED DOCUMENT FOR AMP INCORPORATED. IT IS SUBJECT TO CHANGE AND THE CONTROLLING ENGINEERING ORGANIZATION SHOULD BE CONTACTED FOR THE LATEST REVISION.

单击下面可查看定价，库存，交付和生命周期等信息

[>>TE Connectivity\(泰科\)](#)