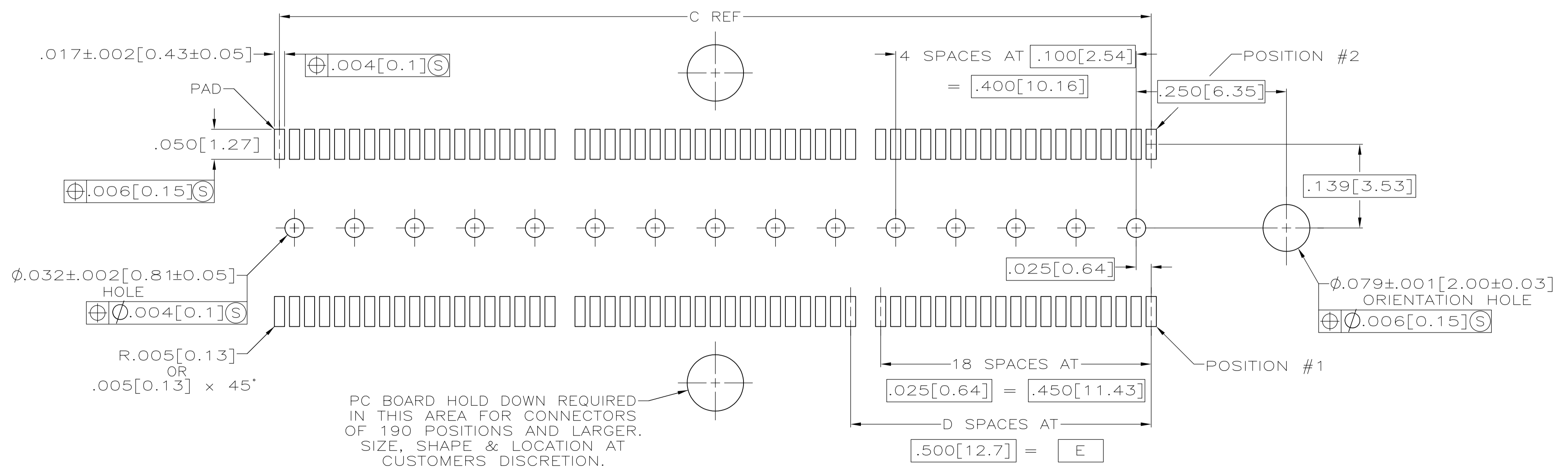
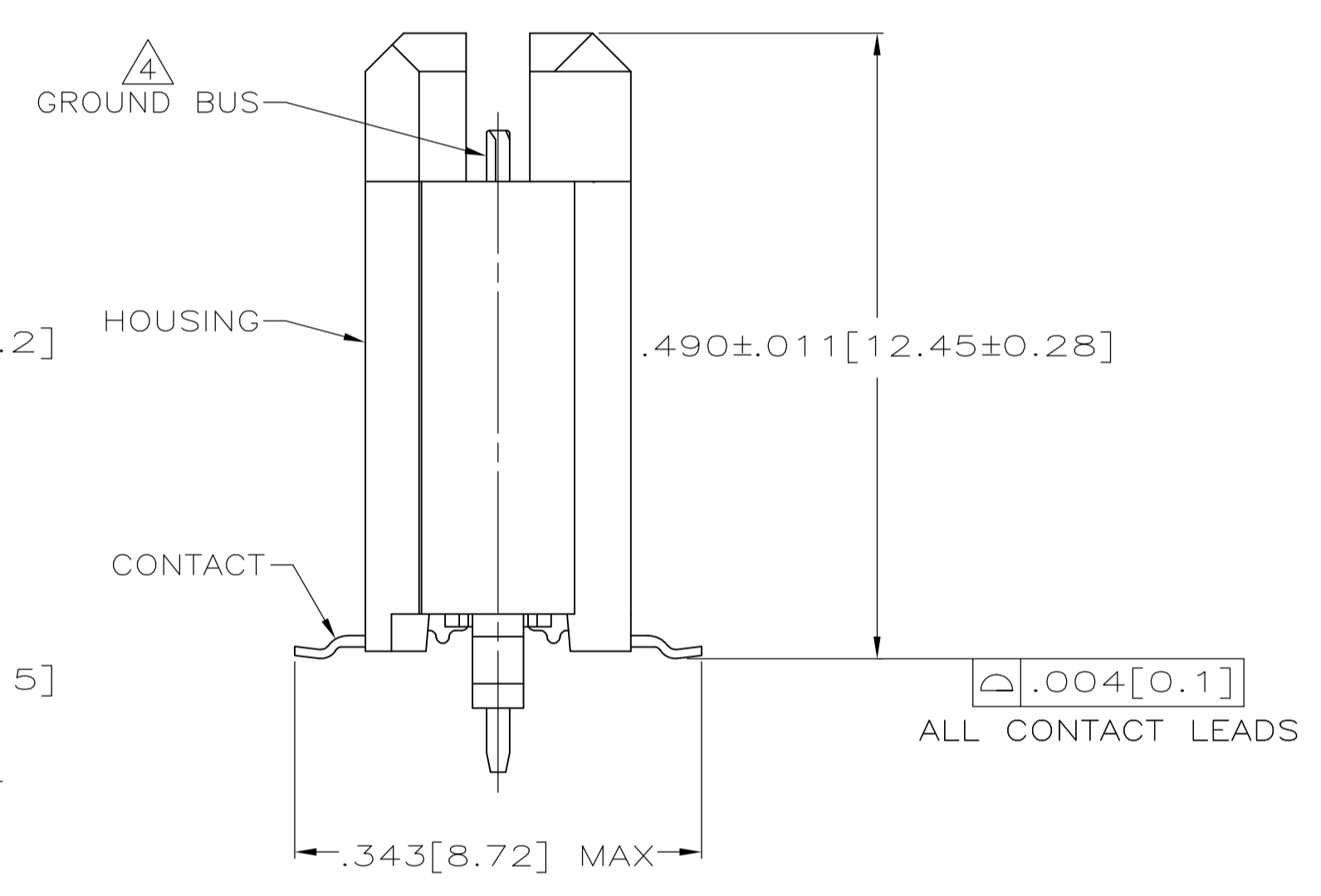
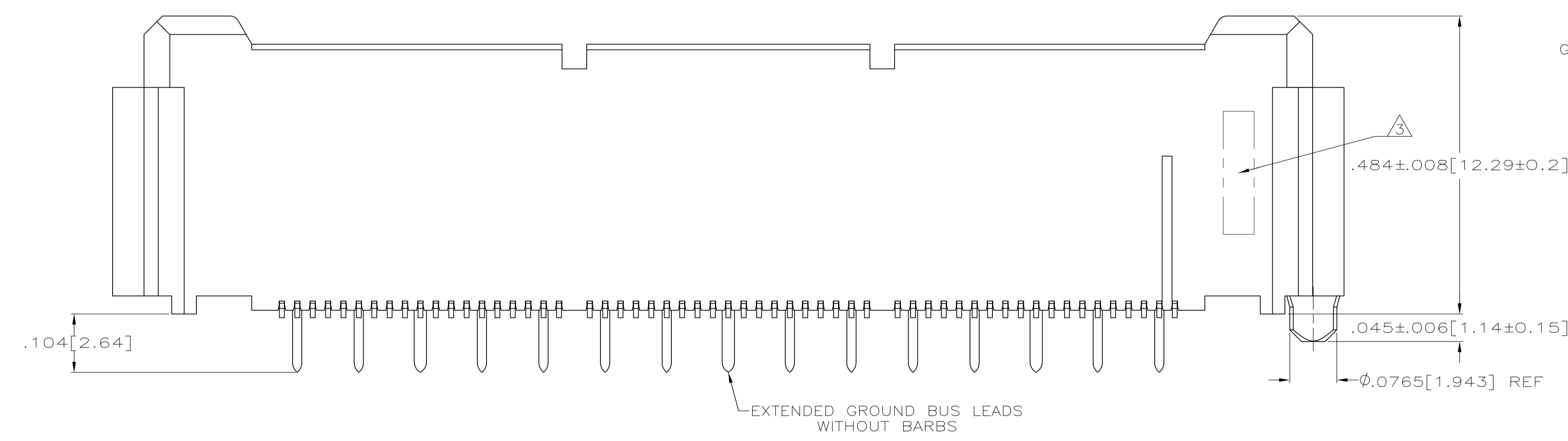


- $\triangle 1$ HOUSING: LIQUID CRYSTAL POLYMER, COLOR BLACK.
CONTACTS: HIGH RELIABILITY COPPER ALLOY.
GROUND BUSES: BRASS, UNS C26000
- $\triangle 2$ CONTACTS & GROUND BUSES: NICKEL UNDERPLATE ALL OVER, MATING SURFACE PLATED TO MEET LEVEL 2 PERFORMANCE REQUIREMENTS OF TE PRODUCT SPECIFICATION 108-1422, SOLDER TAILS PLATED MATTE TIN.
- $\triangle 3$ DATE CODE MARKED IN AREA INDICATED ON OPPOSITE SIDE OF POSITION #1.
- $\triangle 4$ ONE GROUND BUS WITH 5 TAILS PER EACH MODULE.
- $\triangle 5$ TOLERANCE NON-ACCUMULATIVE.



RECOMMENDED PC BOARD LAYOUT (VIEWED FROM CONNECTOR SIDE)

3.000 [76.2]	6	3.450 [87.63]	3.898 [99]	4.000 [101.6]	266	5767082-7
2.500 [63.5]	5	2.950 [74.93]	3.398 [86.31]	3.500 [88.9]	228	5767082-6
2.000 [50.8]	4	2.450 [62.23]	2.898 [73.61]	3.000 [76.2]	190	5767082-5
1.500 [38.1]	3	1.950 [49.53]	2.398 [60.91]	2.500 [63.5]	152	5767082-4
1.000 [25.4]	2	1.450 [36.83]	1.898 [48.21]	2.000 [50.8]	114	5767082-3
.500 [12.7]	1	.950 [24.13]	1.398 [35.51]	1.500 [38.1]	76	5767082-2
.000 [0]	0	.450 [11.43]	.898 [22.81]	1.000 [25.4]	38	5767082-1
E	D	C	B	A	NO OF POS	PART NUMBER

THIS DRAWING IS A CONTROLLED DOCUMENT.

DIMENSIONS: INCHES	TOLERANCES UNLESS OTHERWISE SPECIFIED:	REV	DATE	BY	APPV
0. PLC ± -	1. PLC ± -	G. ATTADIA	26 OCT 04		
2. PLC ± -	3. PLC ± -	D. DIXON	26 OCT 04		
4. PLC ± .005(0.13)	ANGLES ± -	D. DIXON	26 OCT 04		

MATERIAL $\triangle 1$ FINISH $\triangle 2$
 WEIGHT -
 CUSTOMER DRAWING SCALE 1:1 SHEET 1 OF 1 REV A1

STE TE Connectivity
 NAME: PLUG ASSEMBLY, .495[12.57] VERTICAL, .025[0.64] CENTER LINE, MICTOR
 PRODUCT SPEC: 108-1422
 APPLICATION SPEC: 114-11004
 SIZE: A1 CASE CODE: 00779 DRAWING NO: 5767082
 RESTRICTED TO:

单击下面可查看定价，库存，交付和生命周期等信息

[>>TE Connectivity\(泰科\)](#)