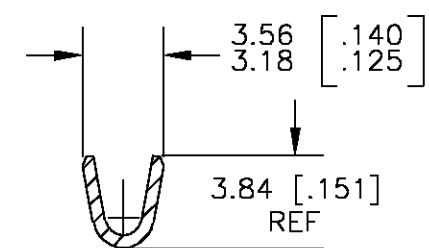
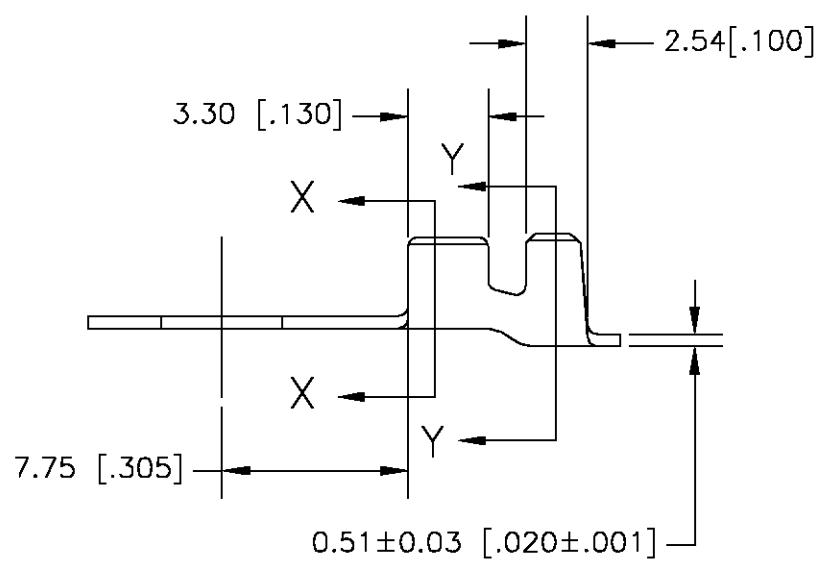
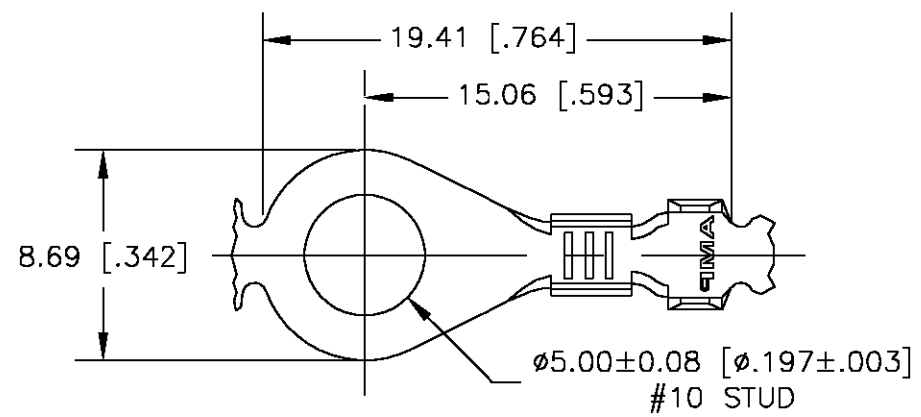
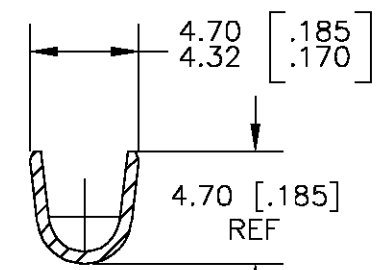


THIS DRAWING IS UNPUBLISHED. RELEASED FOR PUBLICATION
 © COPYRIGHT BY TYCO ELECTRONICS CORPORATION. ALL RIGHTS RESERVED.

LOC	DIST	REVISIONS			
P	LTR	DESCRIPTION	DATE	DWN	APVD
	AF 50	E REDRAWN PER OG3A-0739-00	29SEP00	JR	DD



SECTION X-X



SECTION Y-Y

- 1 CONTINUOUS STRIP ON REELS
- 2 PARTS TO BE REELED WITH INTERLEAVE PAPER.
- 3 WIRE SIZE IS [#20-#16] AWG.
- 4 INSULATION RANGE IS 2.54-3.56 [.100-.140] DIA.

<input type="checkbox"/> OBSOLETE	TIN	60394-2
	-	60394-1
	FINISH	PART NO.

THIS DRAWING IS A CONTROLLED DOCUMENT.		DWN JR RUTH 29SEP00	Tyco Electronics Corporation Harrisburg, PA 17105	
DIMENSIONS: mm [INCHES]		CHK MS FEHER 29SEP00		
TOLERANCES UNLESS OTHERWISE SPECIFIED:		APVD D DECKER 29SEP00	NAME RING TONGUE	
0 PLC ± - 1 PLC ± - 2 PLC ± 0.38 [.015] 3 PLC ± - 4 PLC ± - ANGLES ± -		PRODUCT SPEC -	SIZE A3	
MATERIAL H02 BRASS		APPLICATION SPEC -	CAGE CODE 00779	DRAWING NO C-60394
FINISH SEE TABLE		WEIGHT -	RESTRICTED TO -	
CUSTOMER DRAWING			SCALE 4:1	SHEET 1 OF 1
			REV E	

单击下面可查看定价，库存，交付和生命周期等信息

[>>TE Connectivity\(泰科\)](#)