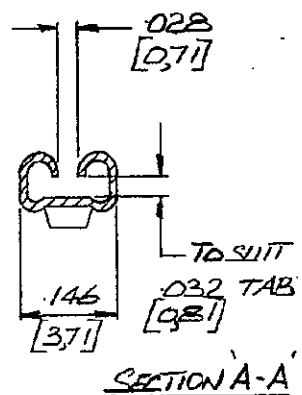
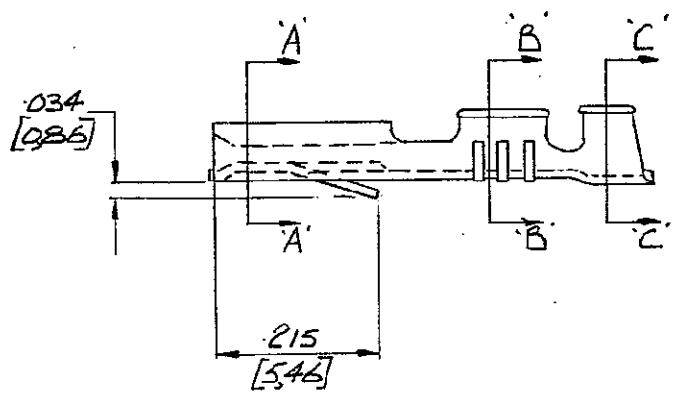
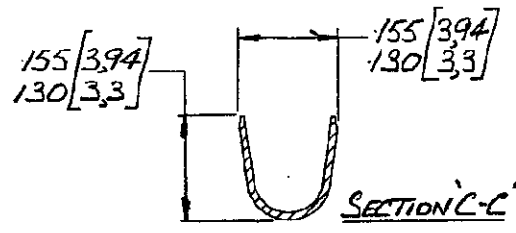
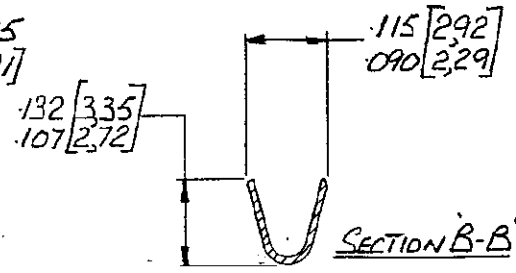
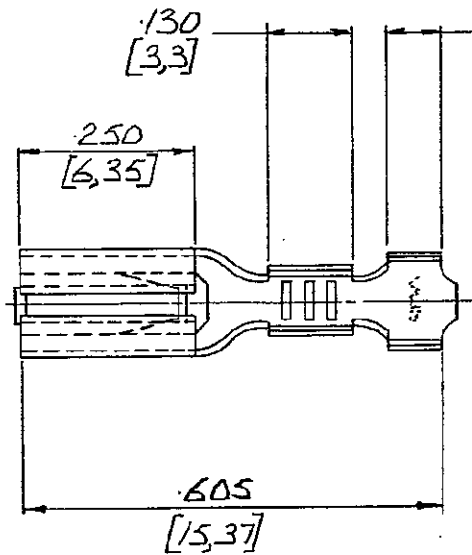


NUMBER
C/50572

3rd ANGLE (AMERICAN) PROJECTION

DIMENSIONS IN INCHES. DO NOT SCALE PRINT.
DIMENSIONS TABLE C 3 IN MM.



	150572-2	ELECTRO-TIN	REELED WITH PAPER INTERLEAVE
OBSOLETE	150572-1	PRE-TIN.	(1)
	PART NO	FINISH	

				© AIRCRAFT-MARINE PRODUCTS (GREAT BRITAIN) LTD 1968		CUSTOMER COPY REFERENCE ONLY	
M1	ECR-10-010418	RK	SRE	11FEB10	MATERIAL AND FINISH		Tyco Electronics AIRCRAFT-MARINE PRODUCTS (GREAT BRITAIN) LTD, STANMORE, MIDDX.
M	REV IN LINE WITH PROD. DRAWING ECR-0130-98	MJH		14/8/98	.010 [0,25] BRASS		
C	PAPER INTERLEAVE ADDED TO -15-2			16/1/89	SEE TABLE		CLASS
B	LANSE SKETCHES ADDED PICTORIALY	ABK		22/1/76	WIRE -- RANGE 20-16 INSULATION 1080-120 [0,23-3,05]		TYPE
A	REDRAWN	P	BH	10.5.68	TOLERANCE EXCEPT AS NOTED ± .015 [0,4]		LOC
LTR	REVISION RECORD	DR	CHK	DATE	SCALE	NO	REV
DE	P. J. LUTMAN 10.5.68	DE	R. J. AVERLEY	10.5.68	4:1	E A C	150572
CHK	B. J. LUTMAN 10.5.68	APP			NAME		
MINIATURE FASTIN FASTON (110 SERIES)							

PRINT DIST

.508

单击下面可查看定价，库存，交付和生命周期等信息

[>>TE Connectivity\(泰科\)](#)