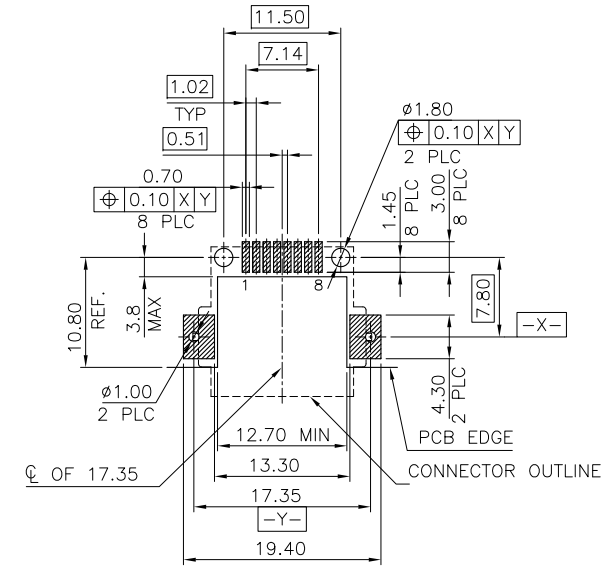
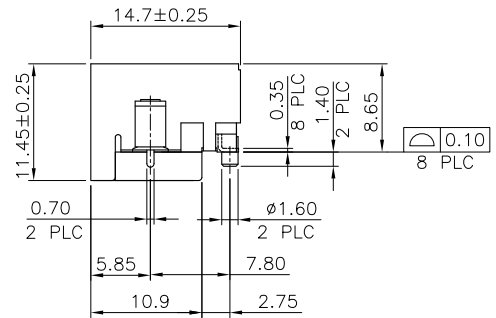
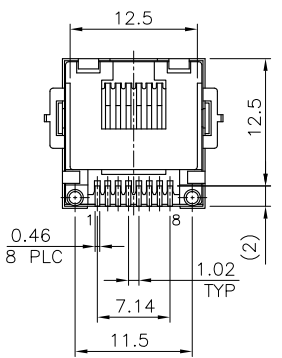
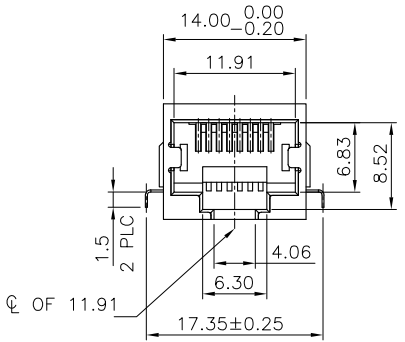
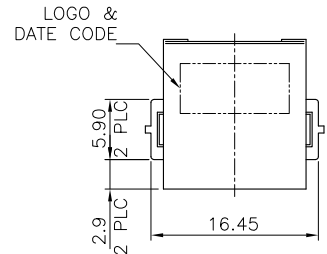


THIS DRAWING IS UNPUBLISHED. RELEASED FOR PUBLICATION AUG. 2006.  
 © COPYRIGHT BY TYCO ELECTRONICS CORPORATION. ALL RIGHTS RESERVED.

LOC		DIST		REVISIONS					
DW		-		P	LTR	DESCRIPTION	DATE	DWN	APVD
				B		ECR-12-012115	26OCT12	EL	WK



RECOMMENDED PCB LAYOUT  
 TOLERANCE: ±0.05 (TOP VIEW)

NOTE:

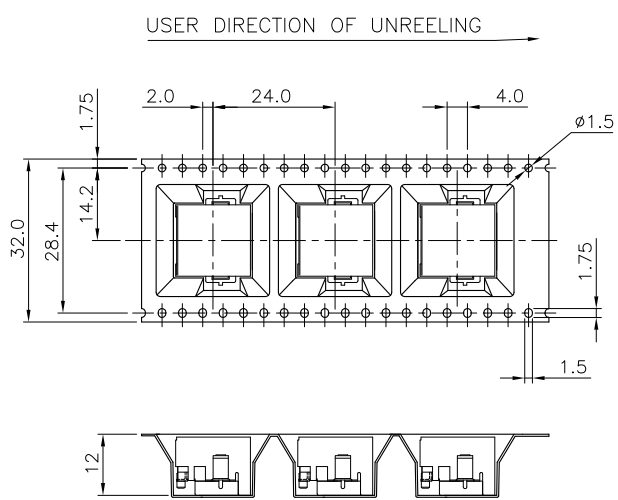
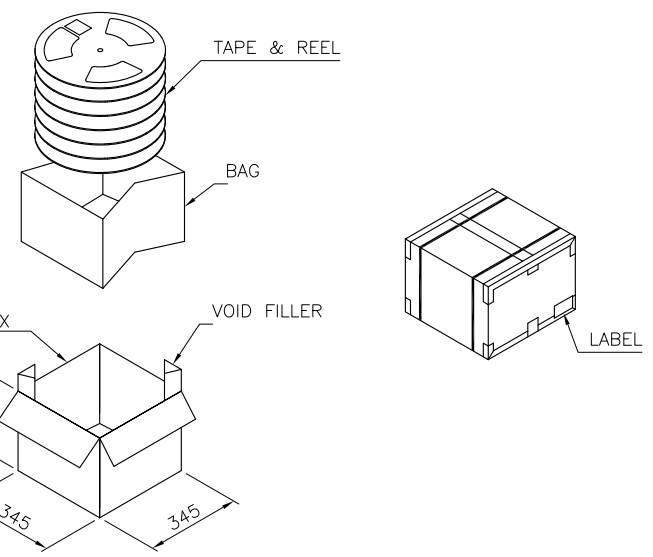
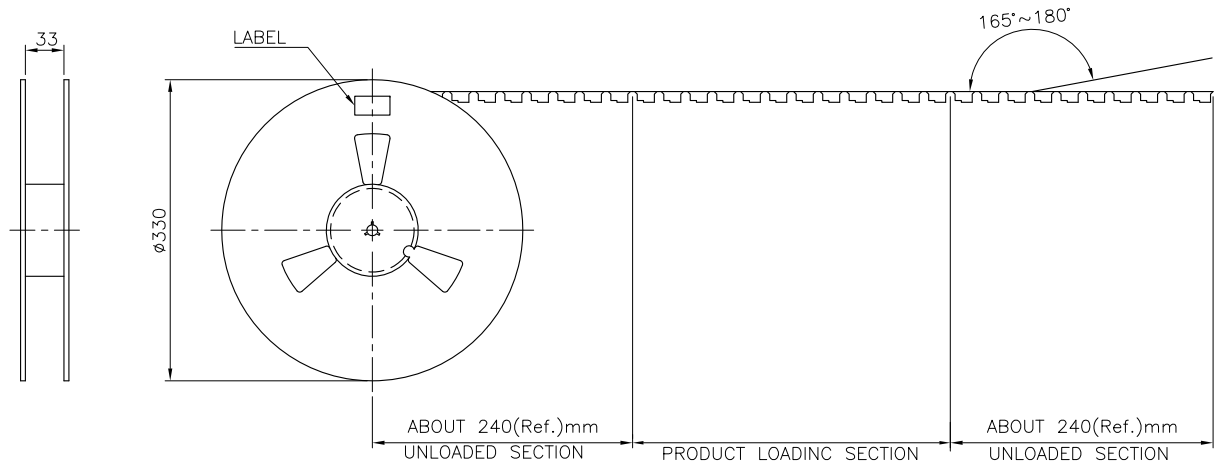
- MATERIAL:  
 HOUSING: PA9T, WITH 30% GF, UL94 V-0, BLACK COLOR.  
 INSERT HOUSING: PA46, WITH 30% GF, UL94 V-0, BLACK COLOR.  
 CONTACTS: PHOSPHOR BRONZE.  
 SHELL: BRASS.
- FINISH:  
 CONTACTS: (SEE TABLE) GOLD PLATED ON CONTACT AREA, GOLD FLASH ON SOLDER TAIL, WITH ENTIRE CONTACT UNDERPLATED 1.27µm [50µ"] MIN. NICKEL.  
 SHELL: 0.508µm [20µ"] MIN. NICKEL PLATED.
- RECOMMENDED PCB THICKNESS: 1.2mm.
- REFLOW SOLDER CAPABLE TO 260°C PER TEC-109-201, CONDITION B.

OBSOLETE	1.37µm [50µ"]	-2041126-4-
	0.762µm [30µ"]	-2041126-3-
	0.381µm [15µ"]	-2041126-2-
	0.152µm [6µ"]	2041126-1
	MIN. GOLD THICKNESS	PART NUMBER

THIS DRAWING IS A CONTROLLED DOCUMENT.		DWN B. HSING	09MAR2009	TE Connectivity	
DIMENSIONS: MM		CHK S. CHIEN	09MAR2009		
TOLERANCES UNLESS OTHERWISE SPECIFIED:		APVD W. KODAMA	09MAR2009	NAME	
0 PLC ± - 1 PLC ± 0.30 2 PLC ± 0.20 3 PLC ± 0.15 4 PLC ± - ± 3°		PRODUCT SPEC		MODULAR JACK, RJ45, SMT TYPE	
MATERIAL		QUALIFICATION TEST REPORT		SIZE	CAGE CODE
SEE NOTE		108-57752		A3	-
FINISH		501-97964		DRAWING NO	RESTRICTED TO
SEE NOTE		WEIGHT 2.45 GRAMS		©=2041126	-
CUSTOMER DRAWING				SCALE	SHEET 1 OF 2
				REV	B

THIS DRAWING IS UNPUBLISHED. RELEASED FOR PUBLICATION AUG., 2006.  
 © COPYRIGHT BY TYCO ELECTRONICS CORPORATION. ALL RIGHTS RESERVED.

LOC	DIST	REVISIONS					
DW	-	P	LTR	DESCRIPTION	DATE	DWN	APVD
				SEE SHEET 1.			



6.5 Kg	4.5 Kg	230	8	1840 PCS
GROSS WEIGHT (Ref.)	NET WEIGHT (Ref.)	PCS/REEL	REELS /BOX	QUANTITY

THIS DRAWING IS A CONTROLLED DOCUMENT.		DWN	<b>STE</b> TE Connectivity		
DIMENSIONS: MM		CHK			
TOLERANCES UNLESS OTHERWISE SPECIFIED:		APVD	NAME		
0 PLC ±		PRODUCT SPEC	MODULAR JACK, RJ45, SMT TYPE		
1 PLC ±		APPLICATION SPEC	SIZE	CAGE CODE	DRAWING NO
2 PLC ±		WEIGHT	A3	-	©-2041126
3 PLC ±		CUSTOMER DRAWING	RESTRICTED TO		-
4 PLC ±		SCALE	SHEET		2 of 2
ANGLES ±			REV		B
FINISH					

单击下面可查看定价，库存，交付和生命周期等信息

[>>TE Connectivity\(泰科\)](#)