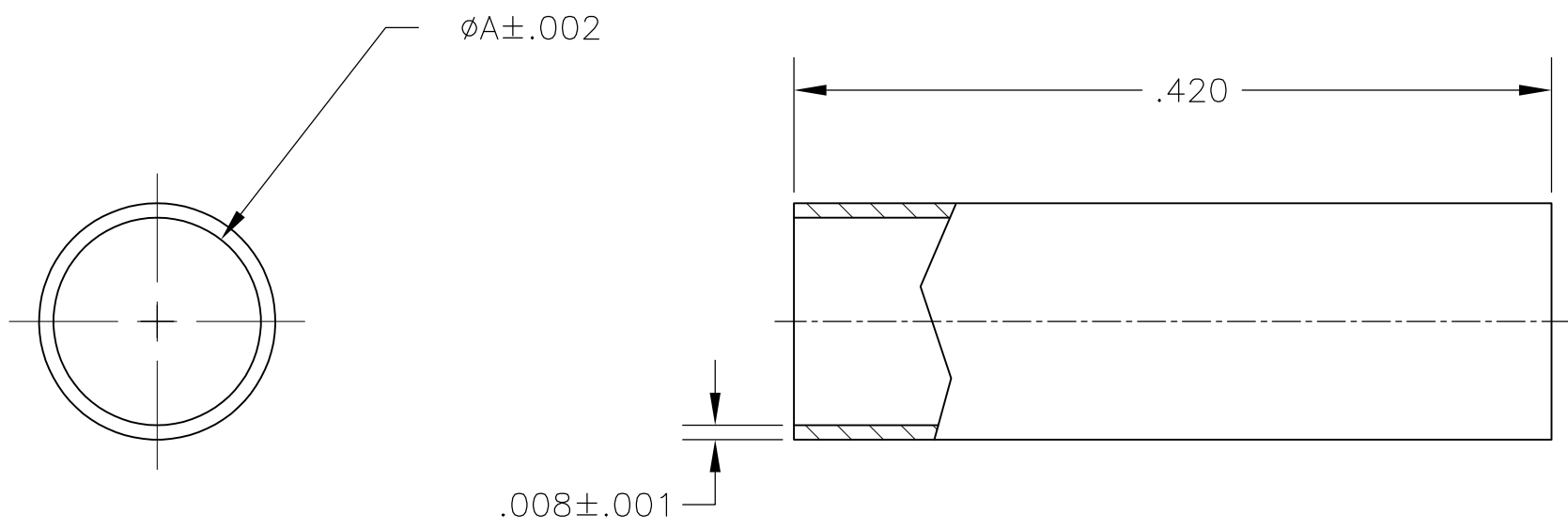


THIS DRAWING IS UNPUBLISHED. RELEASED FOR PUBLICATION
 © COPYRIGHT BY TYCO ELECTRONICS CORPORATION. ALL RIGHTS RESERVED.

LOC	DIST	REVISIONS					
AJ	16	P	LTR	DESCRIPTION	DATE	DWN	APVD
			C	REVISED PER ECO-10-008433	24MAY10	HMR	KW



NOTES:

- ① COPPER ALLOY
- ② SILVER PLATE PER QQ-S-365.
- ③ TIN-LEAD PLATE PER ASTM-B-545, WITH SUPPLEMENTAL ANTI FRETTING LUBRICANT.
- ④ MATTE TIN PLATE PER ASTM-B-545, WITH SUPPLEMENTAL ANTI FRETTING LUBRICANT.

.115	④	9-50285-0
.130	③	50285-8
.115	③	50285-7
.130	②	50285-5
.115	②	50285-1
ϕA	FINISH	PART NO.

THIS DRAWING IS A CONTROLLED DOCUMENT.		DWN G. VIERA 11SEP2003	Tyco Electronics Corporation Harrisburg, PA 17105-3608													
DIMENSIONS: INCHES		CHK K. WEIDNER 12SEP03														
TOLERANCES UNLESS OTHERWISE SPECIFIED:		APVD K. WEIDNER 12SEP03	NAME COAXIAL, R.F. FERRULE													
<table border="0"> <tr><td>0 PLC</td><td>± -</td></tr> <tr><td>1 PLC</td><td>± -</td></tr> <tr><td>2 PLC</td><td>± -</td></tr> <tr><td>3 PLC</td><td>± .008</td></tr> <tr><td>4 PLC</td><td>± -</td></tr> <tr><td>ANGLES</td><td>± 5°</td></tr> </table>		0 PLC	± -	1 PLC	± -	2 PLC	± -	3 PLC	± .008	4 PLC	± -	ANGLES	± 5°	PRODUCT SPEC -	RESTRICTED TO -	
0 PLC	± -															
1 PLC	± -															
2 PLC	± -															
3 PLC	± .008															
4 PLC	± -															
ANGLES	± 5°															
MATERIAL SEE NOTE ①		APPLICATION SPEC -	SIZE A3	CAGE CODE 00779	DRAWING NO C-50285											
FINISH SEE TABLE		WEIGHT -	CUSTOMER DRAWING		SCALE 10:1											
		SHEET 1 OF 1		REV C												

单击下面可查看定价，库存，交付和生命周期等信息

[>>TE Connectivity\(泰科\)](#)