

4

3

2

1

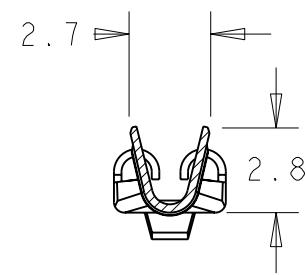
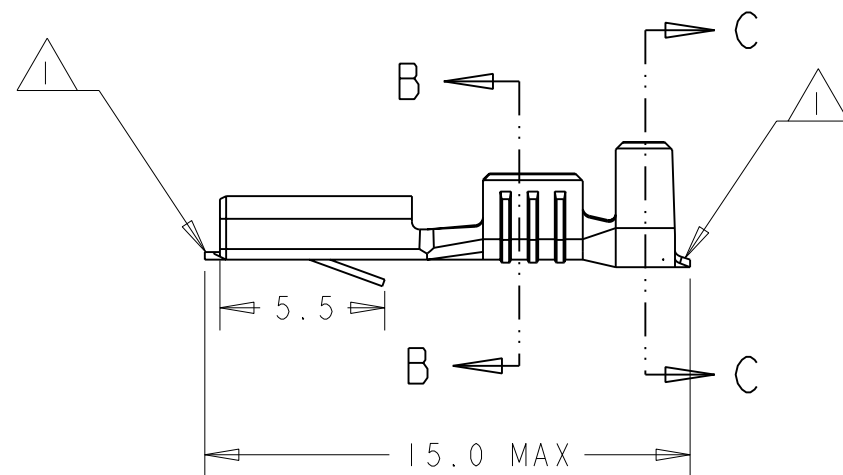
THIS DRAWING IS UNPUBLISHED.

RELEASED FOR PUBLICATION 20

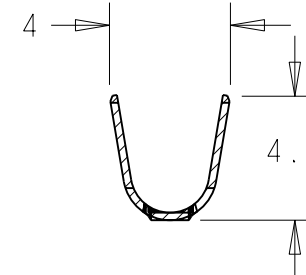
© COPYRIGHT 20

ALL RIGHTS RESERVED.

| LOC | DIST | REVISIONS   |                           |           |        |
|-----|------|-------------|---------------------------|-----------|--------|
| P   | LTR  | DESCRIPTION | DATE                      | DWN       | APVD   |
| B   | E    | B           | FIRST ISSUE               | 19/08/08  | MJG -  |
|     |      | B1          | REVISED PER ECO-10-000444 | 09JAN10   | KK AEG |
|     |      | B2          | ECR-10-022530             | 17JUN2011 | KK HMR |



SECTION B-B



SECTION C-C

NOTES:

- 1 MAX CUT OFF TAB 0.5mm
- 2. WIRE SIZE 0.5 - 1.5mm<sup>2</sup>
- 3. FOR FURTHER INFORMATION REFER TO DRAWING NO 160655
- 4. FOR USE WITH 0.8mm TAB
- 5 OBSOLETE PARTS: OBSOLETE CIS STREAMLINING PER D.RENAUD/D.SINISI

|            |                         |                 |                     |
|------------|-------------------------|-----------------|---------------------|
|            | TIN ELECTROPLATE        | BRASS           | 160668-6            |
|            | SILVER ELECTROPLATE     | BRASS           | 160668-5            |
| OBSOLETE   | PRE-TINNED (HOT DIPPED) | PHOSPHOR BRONZE | <del>160668-4</del> |
|            |                         | PHOSPHOR BRONZE | <del>160668-3</del> |
|            | PRE-TINNED (HOT DIPPED) | BRASS           | 160668-2            |
| 5 OBSOLETE |                         | BRASS           | <del>160668-1</del> |
|            | FINISH                  | MATERIAL        | PART NO             |

|  |          |                           |   |                 |                     |                 |      |       |      |       |      |       |      |        |
|--|----------|---------------------------|---|-----------------|---------------------|-----------------|------|-------|------|-------|------|-------|------|--------|
| THIS DRAWING IS A CONTROLLED DOCUMENT.   |          | DWN M. GREENER 19AUG2008  | <b>TE Connectivity</b>                                  |                 |                     |                 |      |       |      |       |      |       |      |        |
| DIMENSIONS: mm   |          | CHK J. AMBROSE 19AUG2008  |   |                 |                     |                 |      |       |      |       |      |       |      |        |
| TOLERANCES UNLESS OTHERWISE SPECIFIED:   |          | APVD J. AMBROSE 19AUG2008 |   |                 |                     |                 |      |       |      |       |      |       |      |        |
| <table border="0"> <tr><td>0 PLC</td><td>±0.5</td></tr> <tr><td>1 PLC</td><td>±0.5</td></tr> <tr><td>2 PLC</td><td>±0.5</td></tr> <tr><td>3 PLC</td><td>±0.5</td></tr> <tr><td>4 PLC</td><td>±0.5</td></tr> <tr><td>ANGLES</td><td>±0.5</td></tr> </table> |          | 0 PLC                     |   |                 | ±0.5                | 1 PLC           | ±0.5 | 2 PLC | ±0.5 | 3 PLC | ±0.5 | 4 PLC | ±0.5 | ANGLES |
| 0 PLC  | ±0.5     |                           |   |                 |                     |                 |      |       |      |       |      |       |      |        |
| 1 PLC  | ±0.5     |                           |   |                 |                     |                 |      |       |      |       |      |       |      |        |
| 2 PLC  | ±0.5     |                           |   |                 |                     |                 |      |       |      |       |      |       |      |        |
| 3 PLC  | ±0.5     |                           |   |                 |                     |                 |      |       |      |       |      |       |      |        |
| 4 PLC  | ±0.5     |                           |   |                 |                     |                 |      |       |      |       |      |       |      |        |
| ANGLES   | ±0.5     |                           |   |                 |                     |                 |      |       |      |       |      |       |      |        |
| MATERIAL SEE TABLE   | FINISH - | APPLICATION SPEC 114-3118 | NAME .110 SERIES FASTIN FASTON RECEPTACLE (LOOSE PIECE) |                 |                     |                 |      |       |      |       |      |       |      |        |
|  |          | WEIGHT -                  | SIZE A3   | CAGE CODE 00779 | DRAWING NO C-160668 | RESTRICTED TO - |      |       |      |       |      |       |      |        |
|  |          | CUSTOMER DRAWING          | SCALE 4:1   | SHEET 1 OF 1    | REV B2              |                 |      |       |      |       |      |       |      |        |

单击下面可查看定价，库存，交付和生命周期等信息

[>>TE Connectivity\(泰科\)](#)