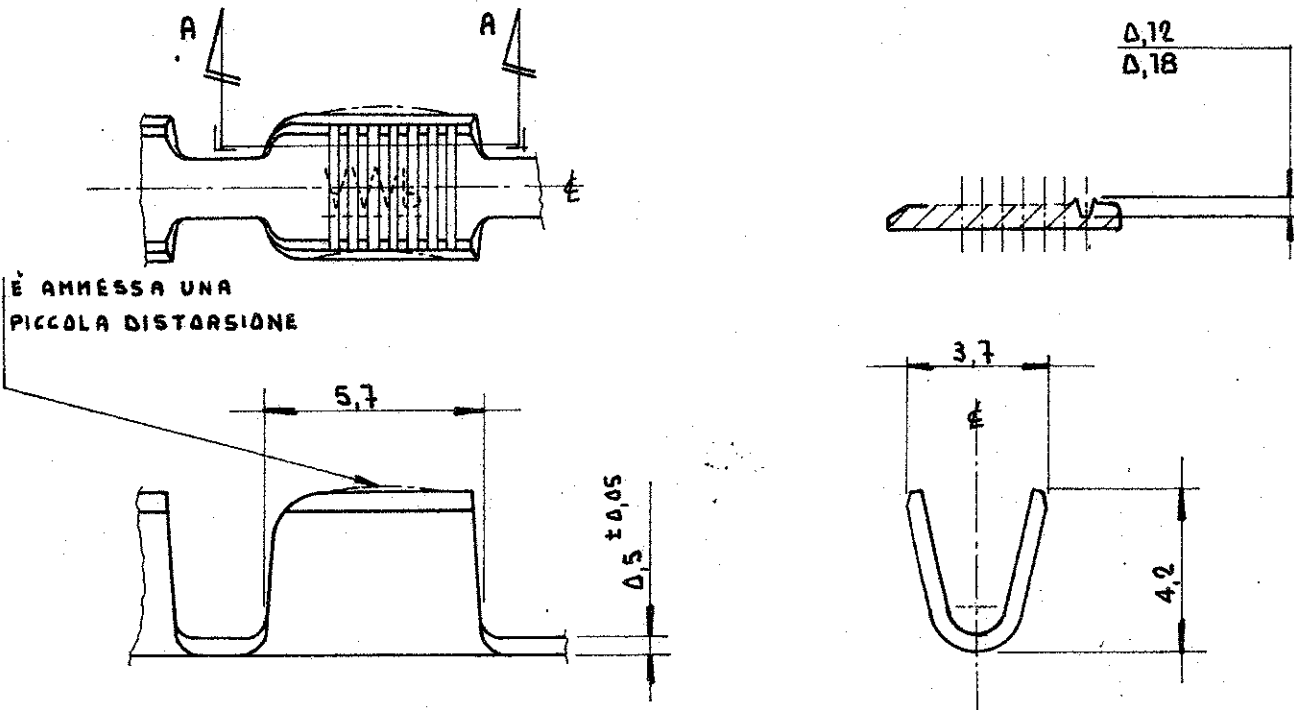


PROIEZIONE AMERICANA

SEZ. A-A

NUMBER
C-280538



STAGNATO	BRONZO FOSFORATO	280538 -4 *
—	BRONZO FOSFORATO	280538 -3 *
STAGNATO	OTTONE	280538 -2 OBSOLETE
—	OTTONE	280538 -1
FINITURA	MATERIALE	AMP P.N.

* Non ancora in Produzione.

DIMENSIONS IN MM. DO NOT SCALE PRINT.

				© 1974 BY AMP INCORPORATED. ALL RIGHTS RESERVED. AMP PRODUCTS COVERED BY PATENTS AND/OR PATENTS PENDING.		CUSTOMER COPY REFERENCE ONLY	
				MATERIAL AND FINISH		AMP ITALIA VIA CERVI 15 COLLEGNO (TORINO)	
E Revised for ET00-0241-97 <i>18/97</i>				VEDI TABELLA		CLASS <i>N</i>	
B REVISIONATO <i>12-4-74</i>				WIRE RANGE 1500 CMA 5000		TYPE <i>N</i>	
A IN PRODUZIONE P.N. <i>1/2</i>				TOLERANCE EXCEPT AS NOTED ± 0.4 ± 10°		LOC I A NO C-280538	
1 P.N. ERA IA-74-5136 <i>16-5-74</i>				SCALE 5:1		REV E	
LTR REVISION RECORD DR CHK DATE				NAME AMPLIVAR SPLICE 7 SERRATIONS OFFSET TO SHEAR END			
DR <i>12-4-74</i> DE							
CHK <i>30 APRILE 74</i> APP							

单击下面可查看定价，库存，交付和生命周期等信息

[>>TE Connectivity\(泰科\)](#)