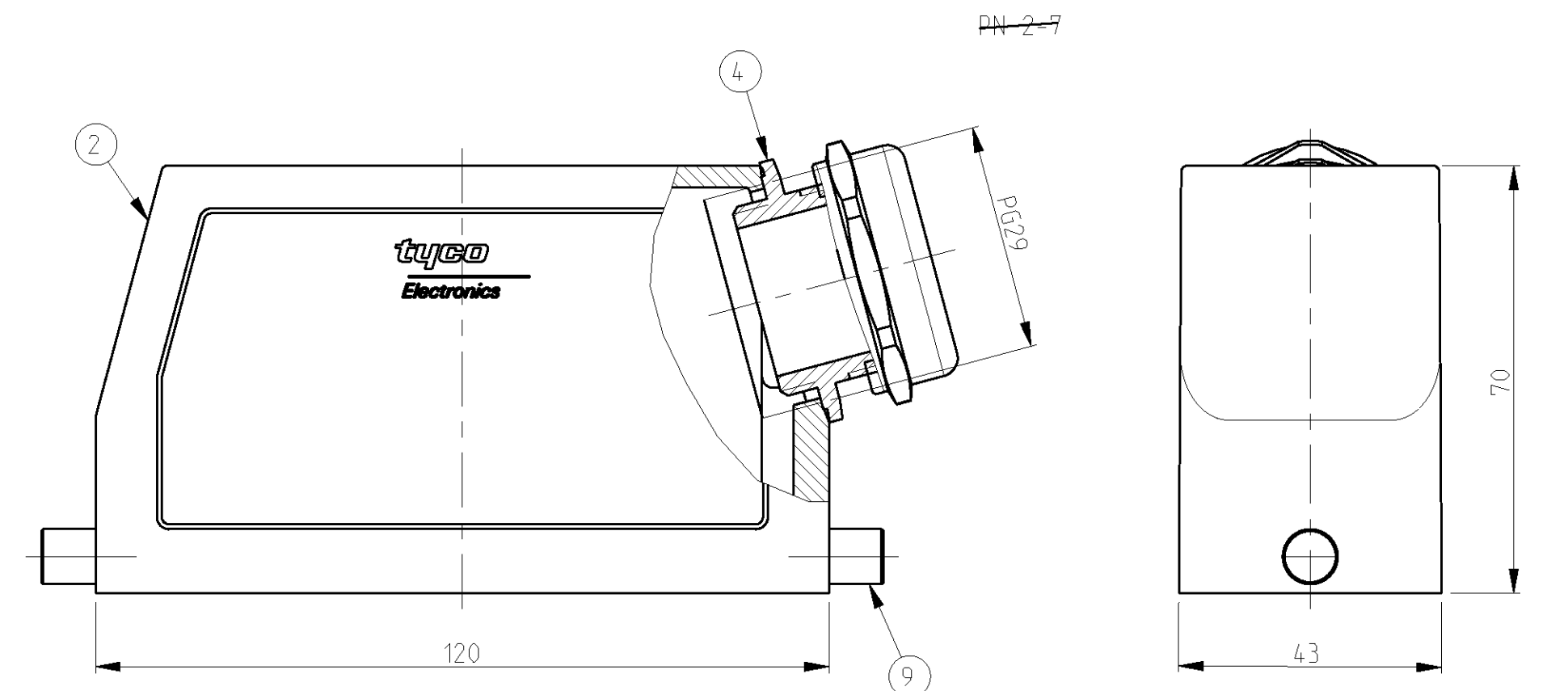
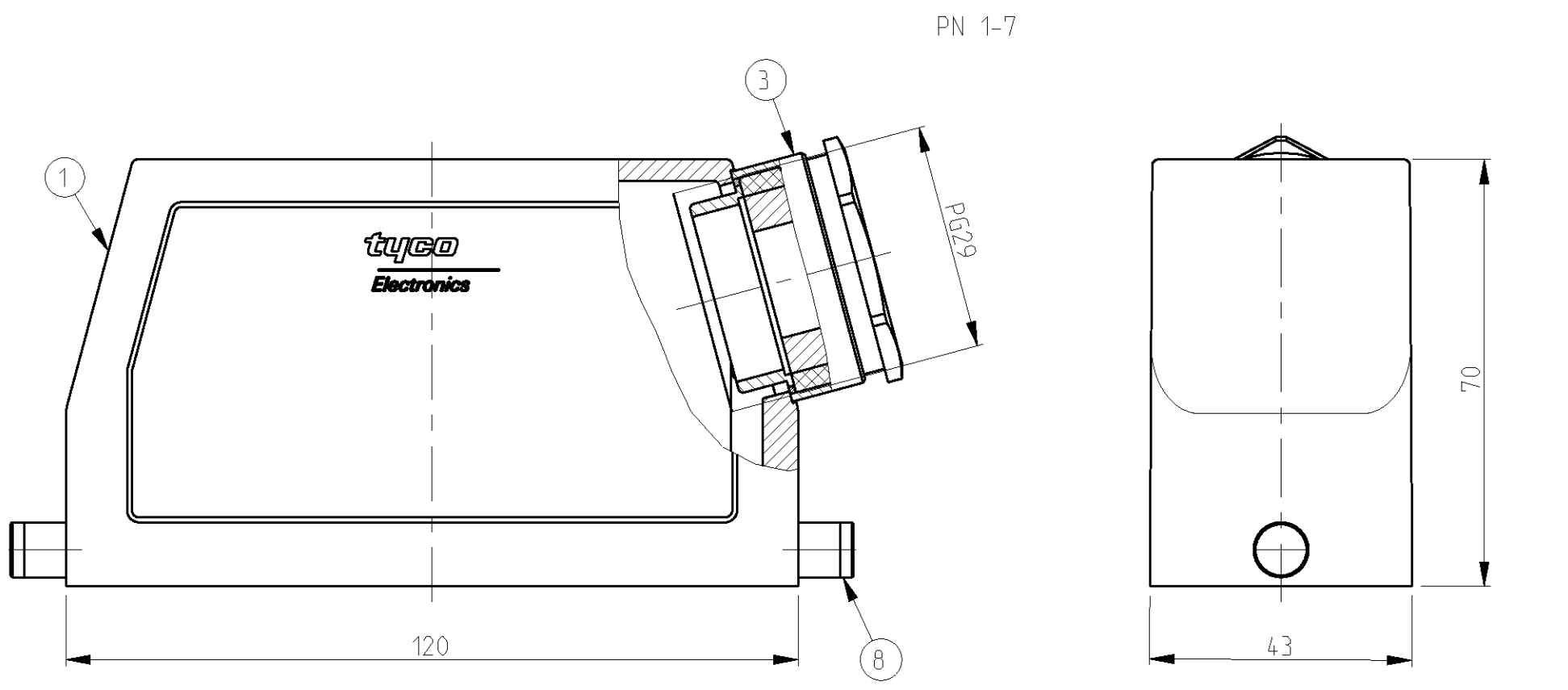
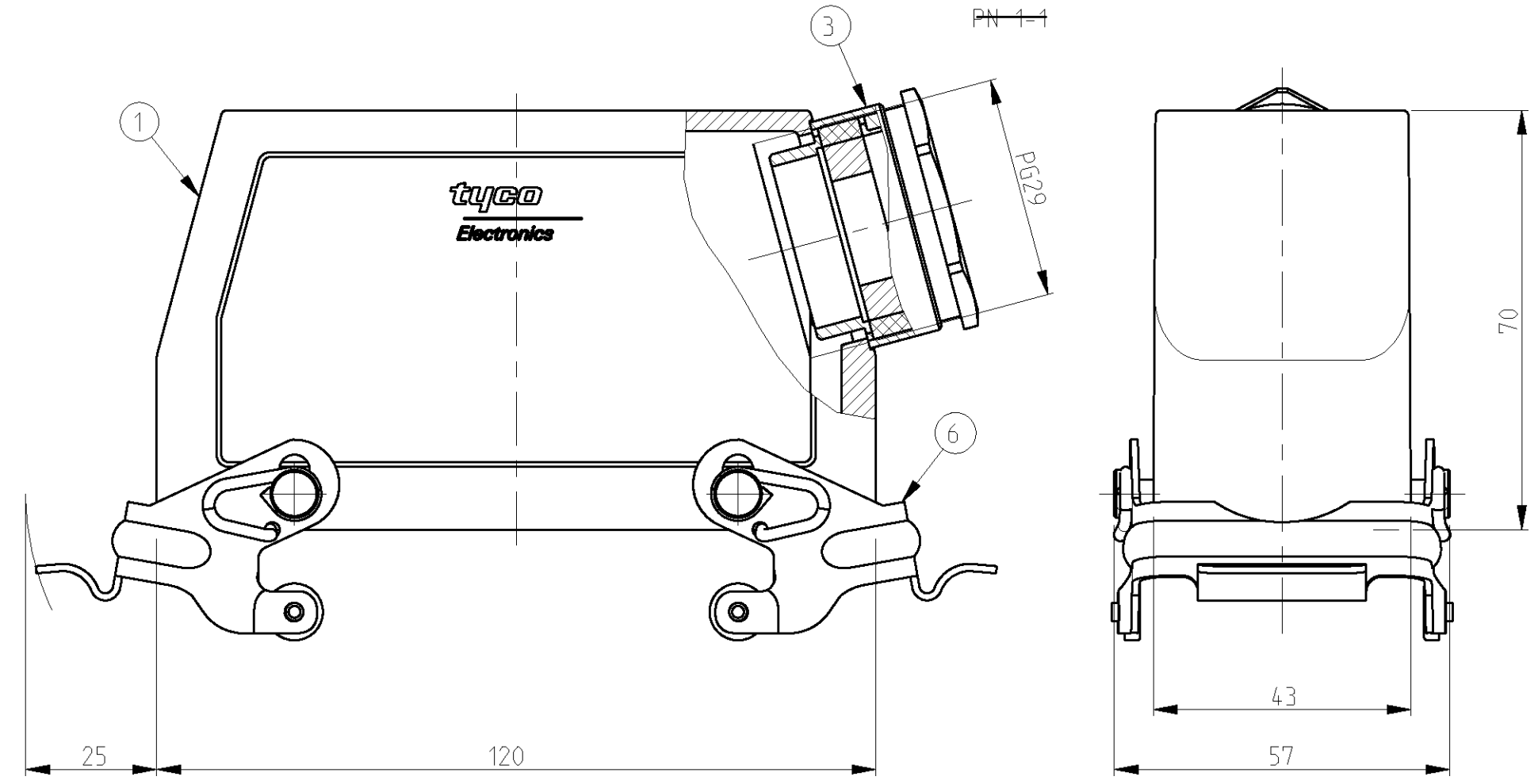
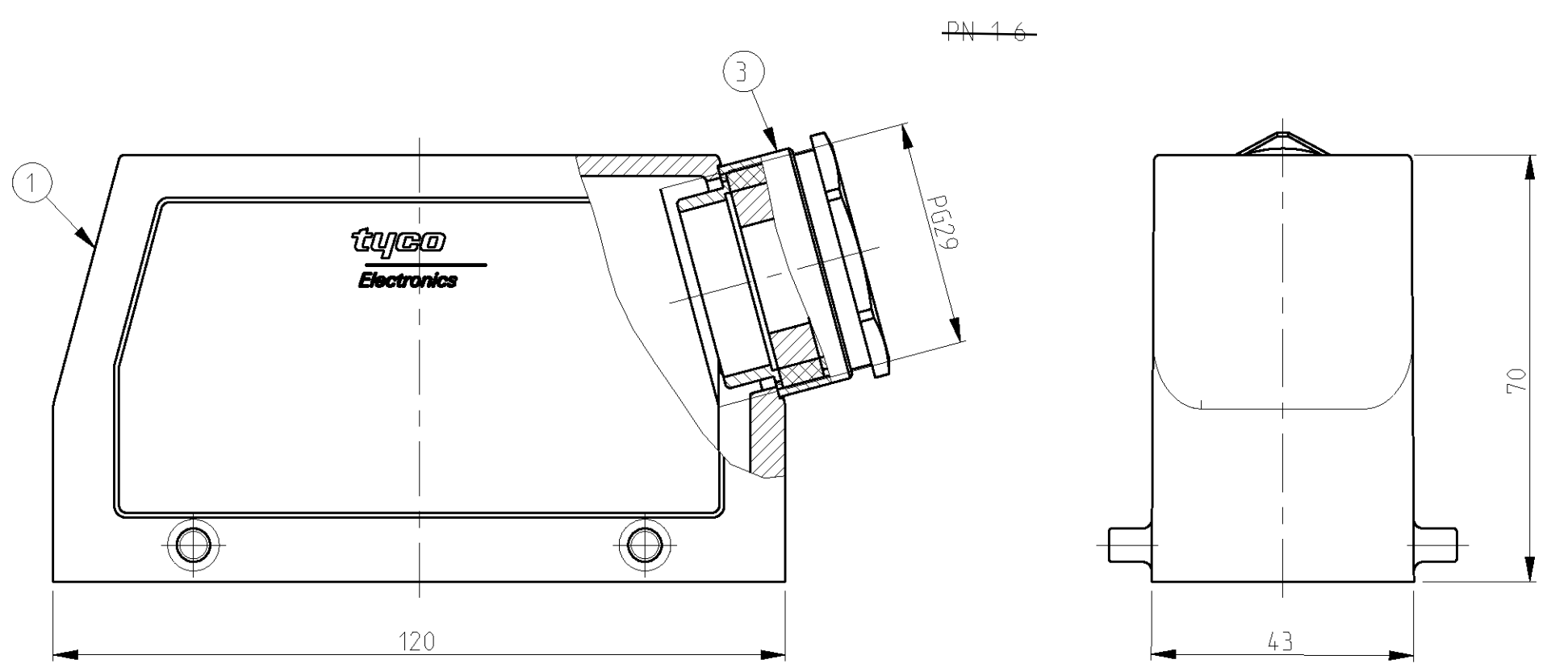
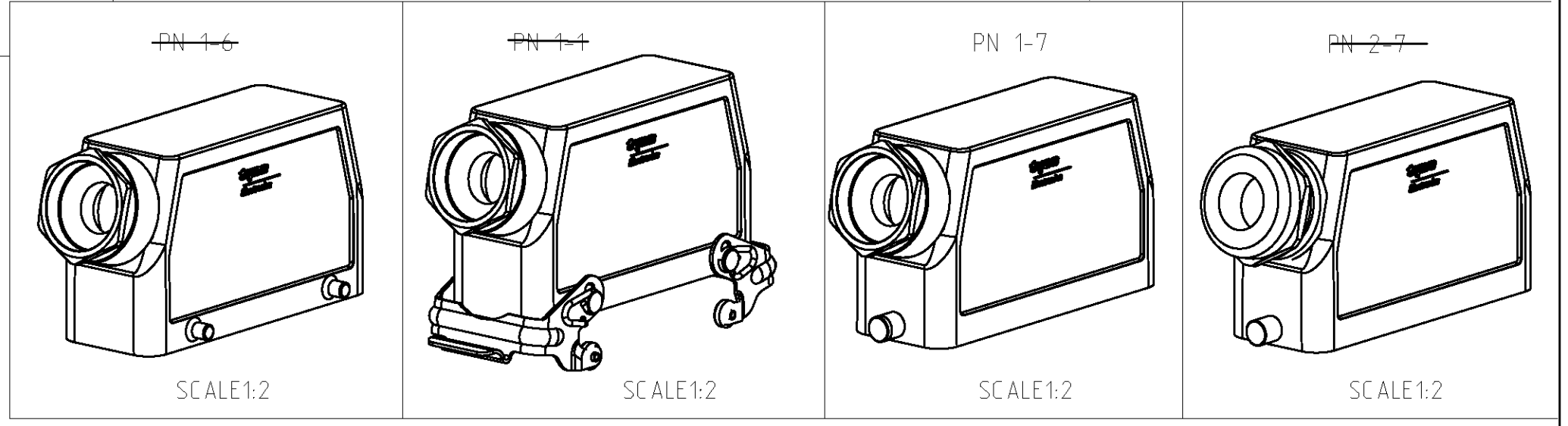
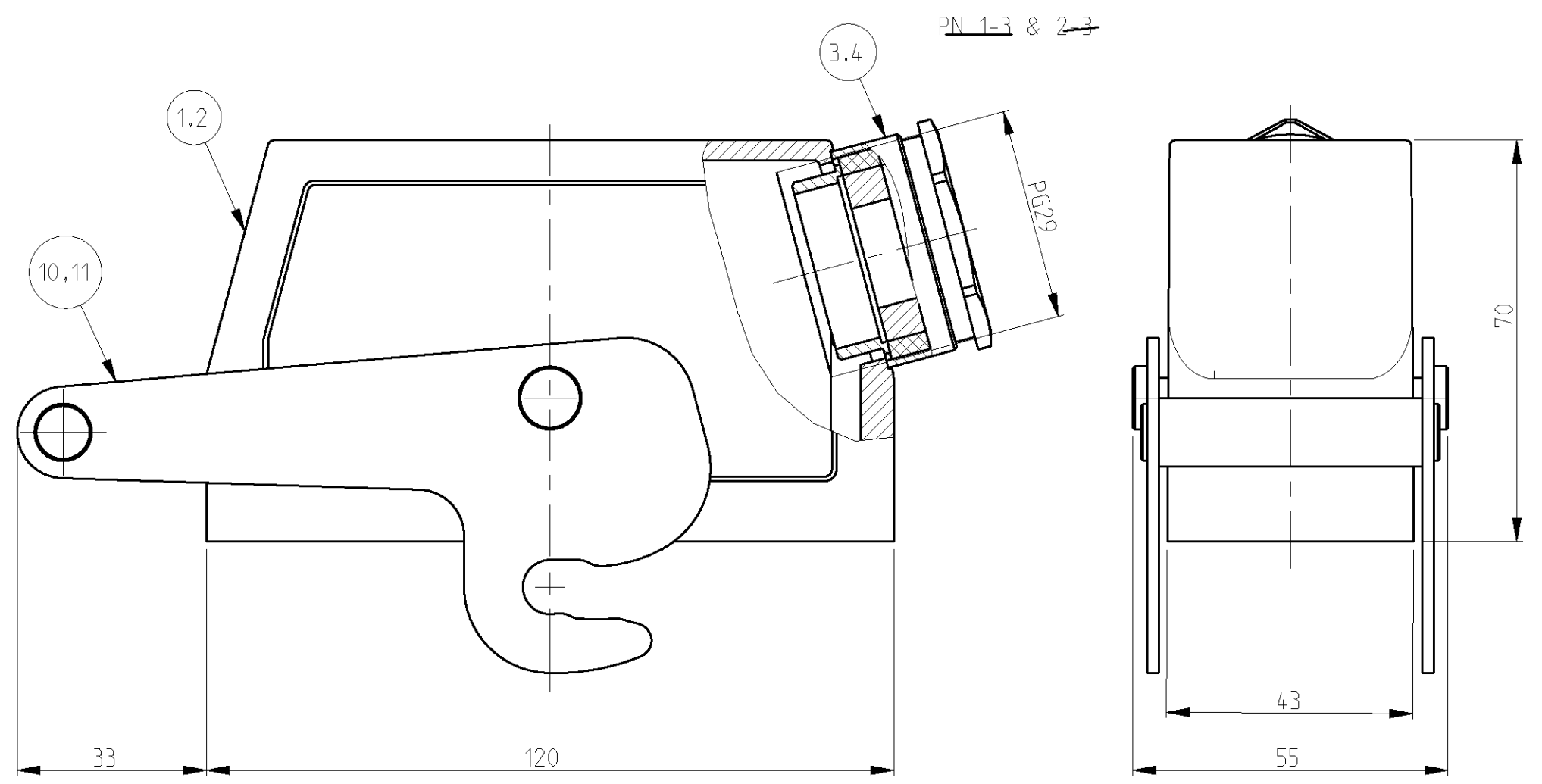
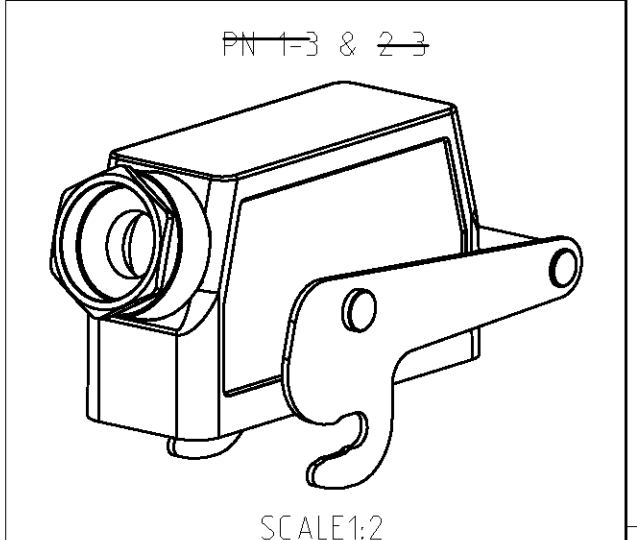


LOC	DIST	REVISIONS			
F	LTB	DESCRIPTION	DATE	DWN	APVD
B5		REVISED PER ECO-09-027197	19JAN10	KK	HMR
B6		ECR-17-013084	02APR18	SG	MKO



- NOTES
- Material: Housing: Aluminium Diecasting Alloy
 - Surface:- Varnish Grey
Aluminium oxide
Varnish Black
 - Varnish on the inside not necessary
 - Packaging
Quantity 5 piece in a box
- ⚠️ OBSOLETE PARTS: OBSOLETE CIS STREAMLINING PER D.RENAUD/D.SINISI**



QTY	ITEM NO	DESCRIPTION	MATERIAL	SURFACE	COLOR	ITEM NO	NOTES
1	1	Central Locking	Stainless Steel	-	-	11	-
1	2	Central locking	Steel	Zinc Plated	Blue	10	-
1	3	LB-Clip bolt	Stainless Steel	-	-	9	-
2	4	LB-Clip bolt	Steel	Zinc Plated	Blue	8	-
2	5	VS-Locking clip	Stainless Steel	-	-	7	-
2	6	VS-Locking clip	Steel	Zinc Plated	Blue	6	-
1	7	VS-Clip bolt	Stainless Steel	-	-	5	-
1	8	Cable connection round	Brass	Nickel Plated	-	4	-
1	9	Gland fitting Pg29	Brass	Nickel Plated	-	3	-
1	10	HB.24.Pg.1.29 Hood	Aluminium	Aluminium Oxide	Black	2	-
1	11	HB.24.Pg.1.29 Hood	Aluminium	-	Grey	1	-

ORDERING TEXT

HB.24.Sts.1.29
 HB.K.24.Sts.1.29
 HB.24.Sts-VS.1.29
 HB.K.24.Sts-VS.1.29
 HB.24.Sts-GR.1.29
 HB.K.24.Sts-GR.1.29
 HB.Z.24.Sts-ZB.1.29
 HB.K.Z.24.Sts-ZB.1.29

AMP 4895 REV 31MAR2006

Downloaded From Onevac.com

PROENGINEER DRAWING

DATE: 17.07.1997
 DWN: Schwieger
 CHK: Schnurpfall

TE Connectivity

NAME: HOOD
 HB.24.Sts.1.29

PRODUCT SPEC: 108-74003
 108-74003
 APPLICATION SPEC: 114-74001
 114-74004

SIZE: A | 00779 | C=1102317 | SHEET: 1 OF 1 | REV: B6

CUSTOMER DRAWING

单击下面可查看定价，库存，交付和生命周期等信息

[>>TE Connectivity\(泰科\)](#)