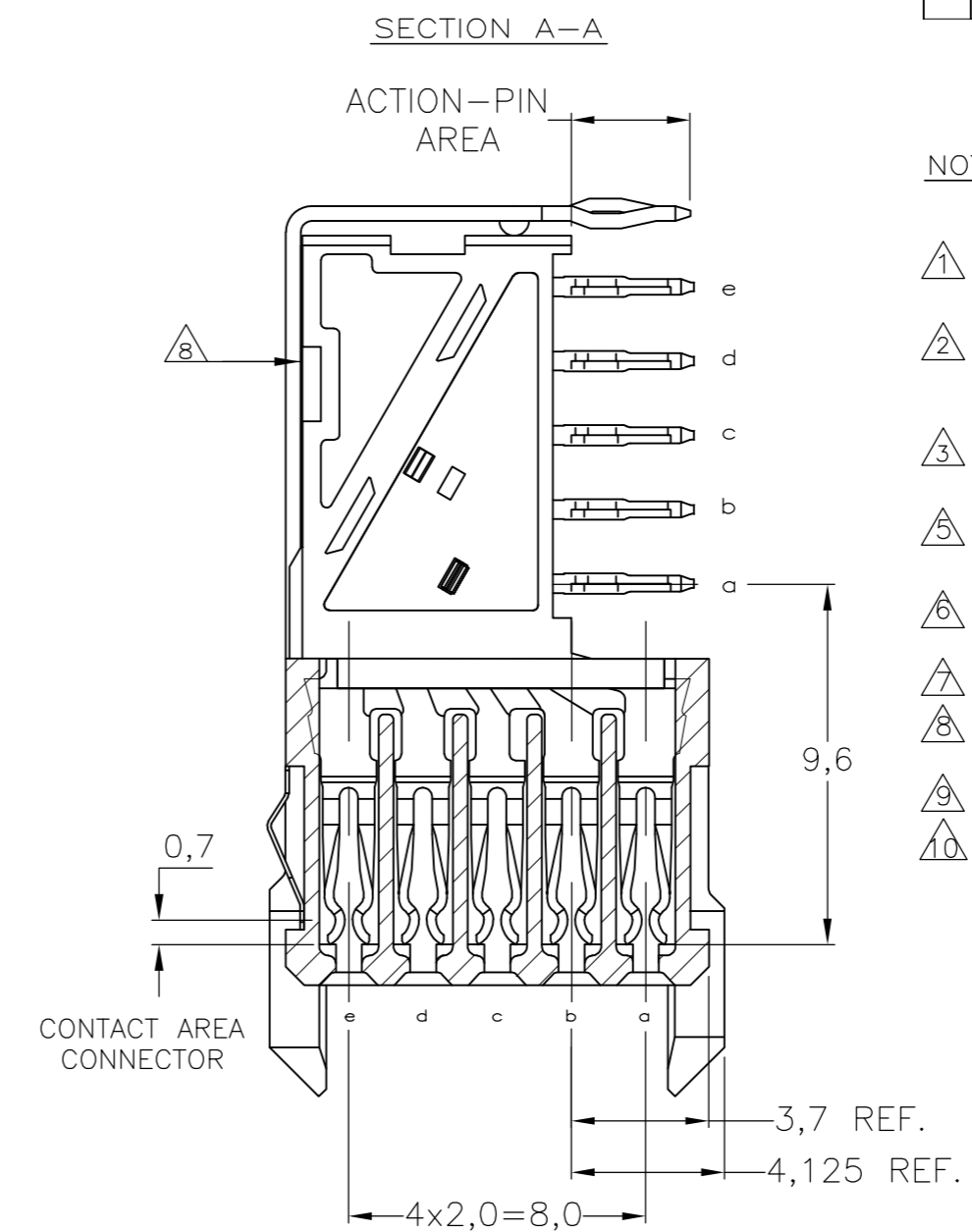
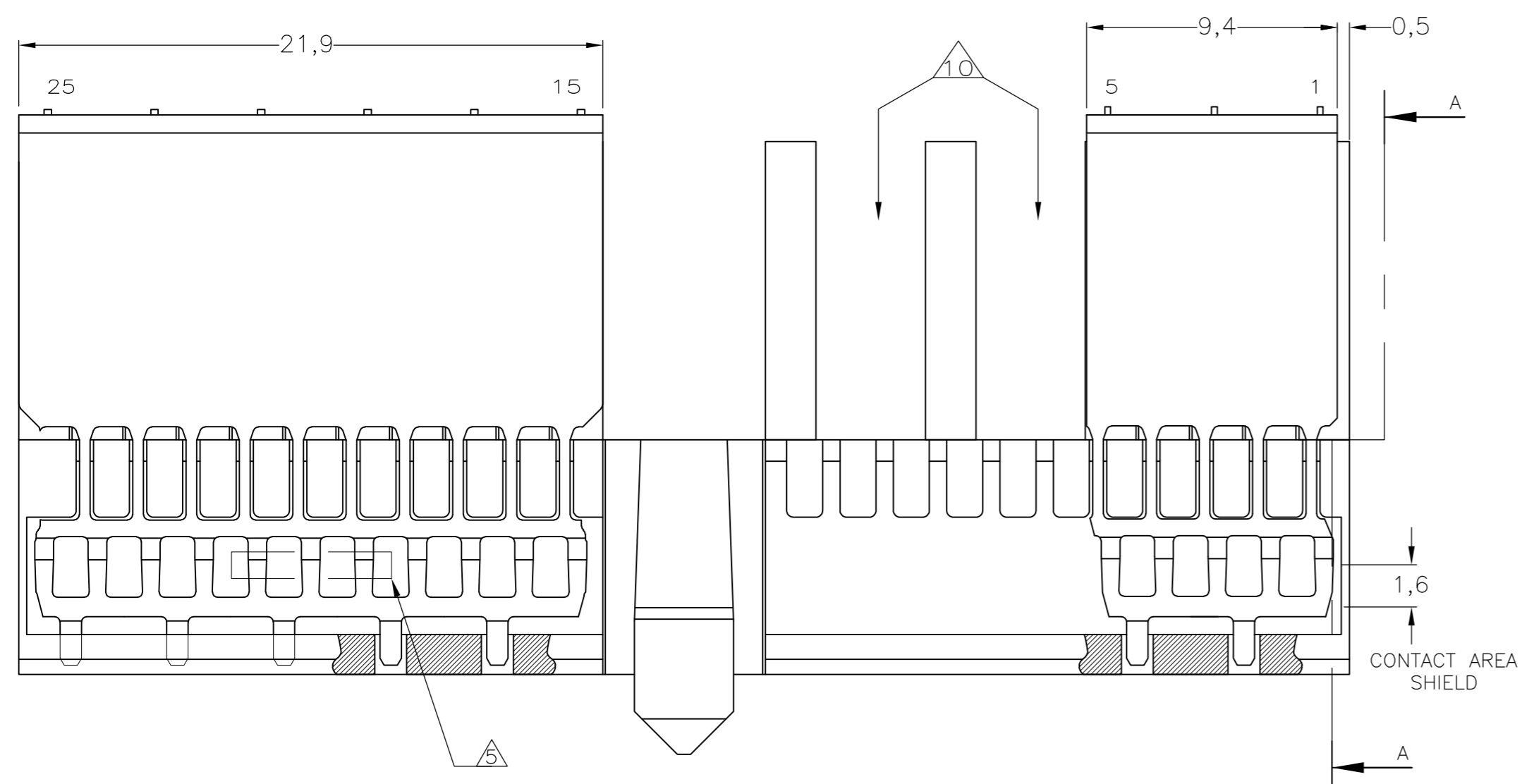
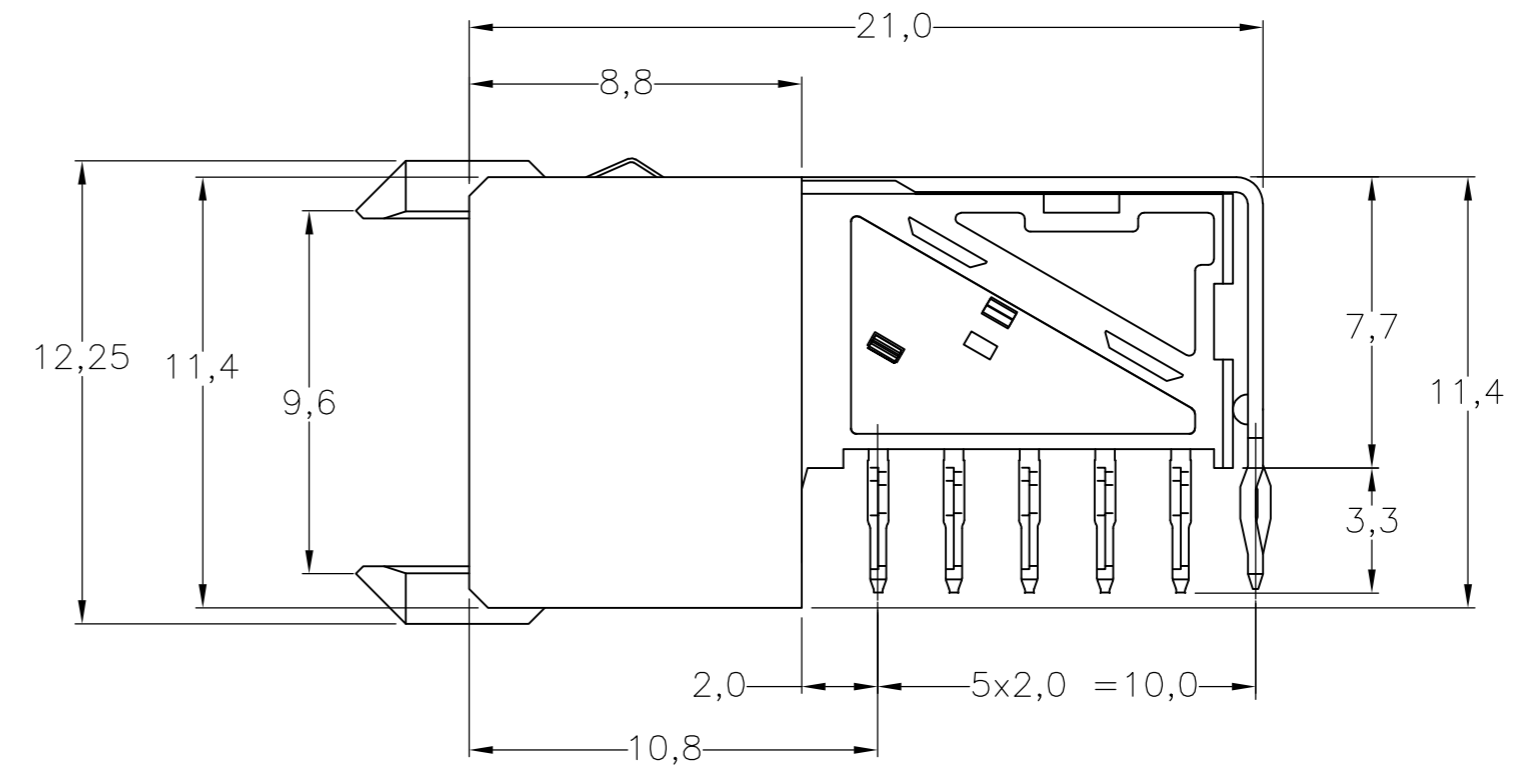
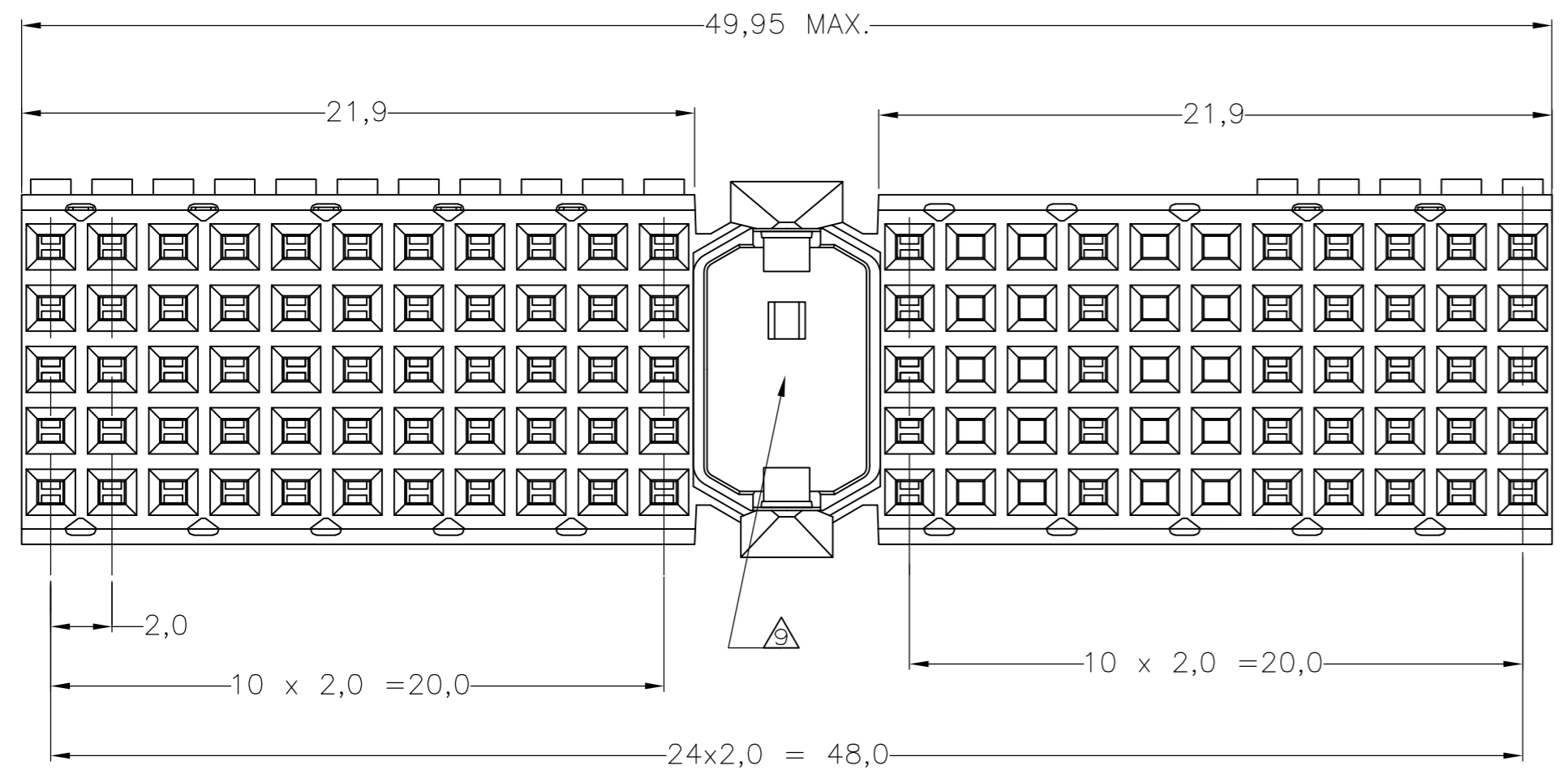


THIS DRAWING IS UNPUBLISHED. RELEASED FOR PUBLICATION
 © COPYRIGHT - By - ALL RIGHTS RESERVED.

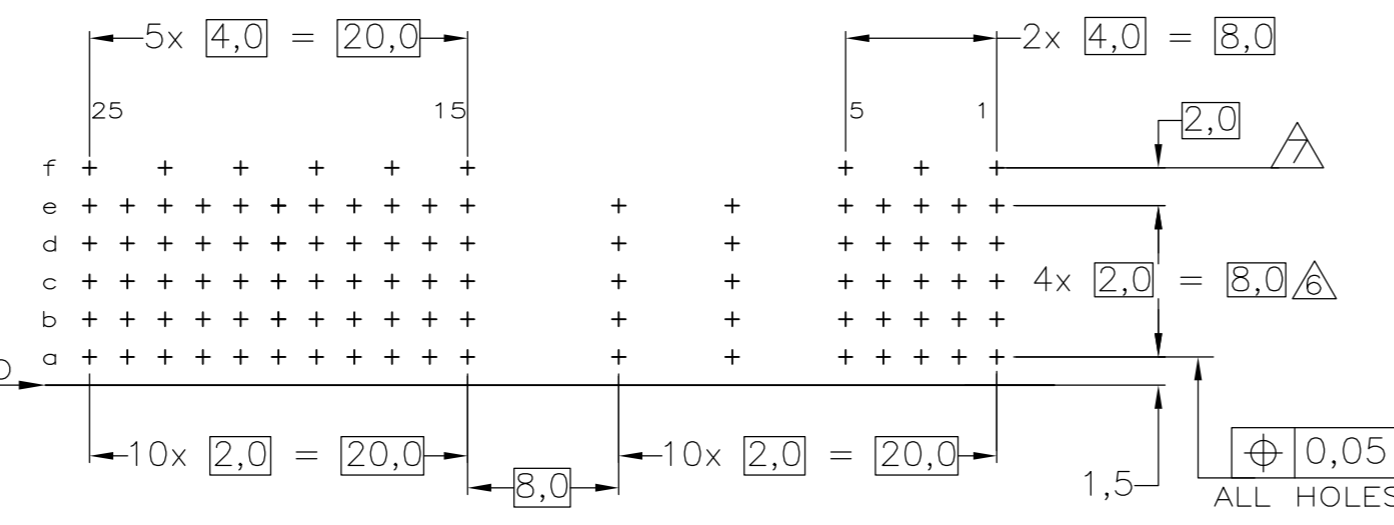
LOC		DIST		REVISIONS			
P	LTR	DESCRIPTION	DATE	DWN	APVD		
J		REVISED PER ECO-13-014710	08NOV2012	SY	FY		



- NOTES:
- ⚠ MATERIAL CONTACTS AND SHIELDS; PHOSPHORBRONZE
 - ⚠ MATERIAL HOUSING; GLASSFILLED POLYESTER (GRAY)
 - ⚠ GENERAL PLATING SPECIFICATION: UNDERPLATING(ENTIRE CONTACT): 1,27µm NICKEL MIN. AND ACTION PIN: 0,5µm TIN-LEAD MIN. FOR PLATING OF MATING SURFACES SEE APPLICABLE SPECIFICATION REFERENCE FOR EACH DASH NUMBER.
 - ⚠ CONFORMS TO ALL TESTING ACCORDING IEC 61076-4-101 PERFORMANCE LEVEL 2.
 - ⚠ ASSEMBLY PRINTED WITH P/N AND DATECODE. THE MARKING CAN APPEAR ON THE FRONT SIDE OR THE BACK SIDE
 - ⚠ HOLE PATTERN FOR FEMALE CONNECTOR
90 PLATED-THROUGH HOLES AT 2x2mm SQUARE GRID
 - ⚠ ROW "f" 9 PLATED THROUGH HOLES FOR BOTH UPSHIELDS
 - ⚠ SHIELDS MOUNTED ON CONNECTOR WITH DOUBLE SIDED ADHESIVE TAPE
 - ⚠ AREA RESERVED FOR KEYING PART (BASIC P.N. 100526)
 - ⚠ NO CONTACTS ON COLUMNS 6-7 AND 9-10



COMPONENT SIDE AS SHOWN
 RECOMMENDED PCB-HOLE LAY-OUT
 SCALE 2,5:1



P.C.B. HOLE DIM. ACTION PIN
 FOR DETAILS SEE
 APPLICATION SPECIFICATION

THIS DRAWING IS A CONTROLLED DOCUMENT.		DWN W. V.D. HEIJDEN 23FEB98	TE Connectivity	
DIMENSIONS: mm		CHK W. V.D. HEIJDEN 23FEB98	352359-1	
TOLERANCES UNLESS OTHERWISE SPECIFIED: ±0,2		APVD F.V.KONINGSBRUGGE 23NOV99	PARTNUMBER	
MATERIAL		PRODUCT SPEC 108-19082	Z-PACK 2MM HM	
FINISH		APPLICATION SPEC 114-19029	TYPE A - 16 COLUMNS (J4 VERSION)	
		WEIGHT	SIZE A2	RESTRICTED TO
		CUSTOMER DRAWING	CAGE CODE 00779	
		SCALE NTS	DRAWING NO C=352359	
		SHEET 1 of 1	REV J	

单击下面可查看定价，库存，交付和生命周期等信息

[>>TE Connectivity\(泰科\)](#)