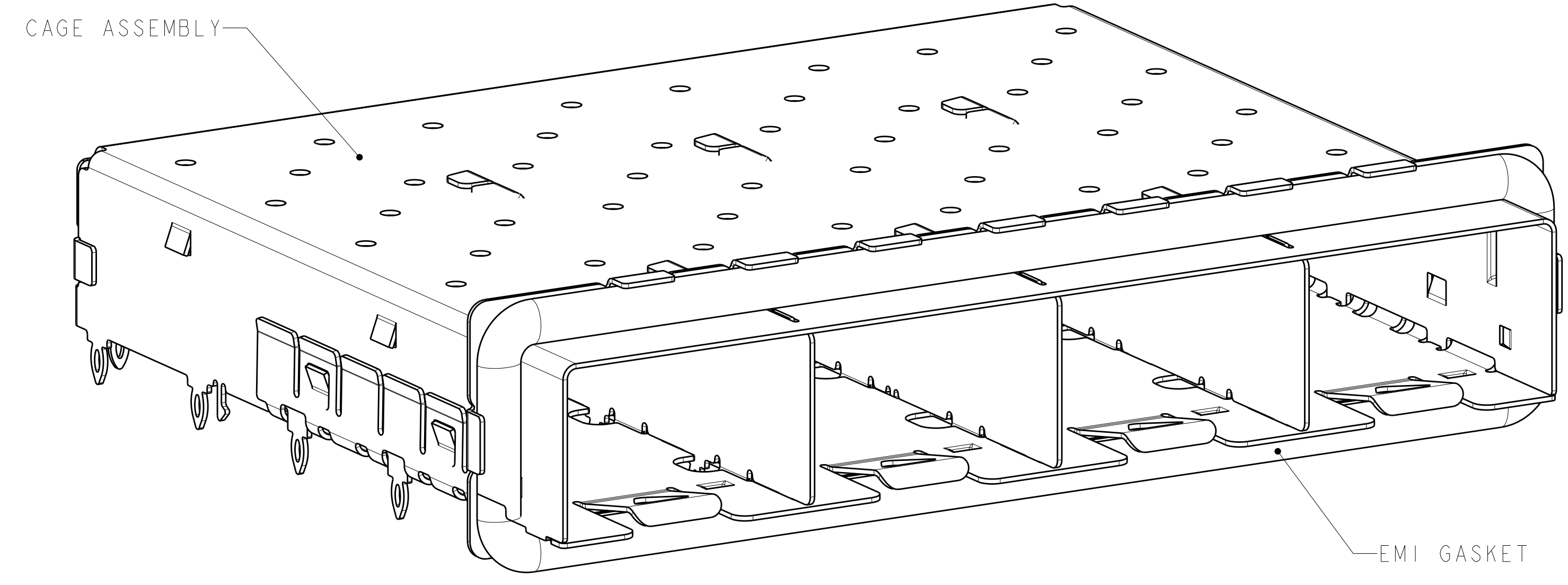
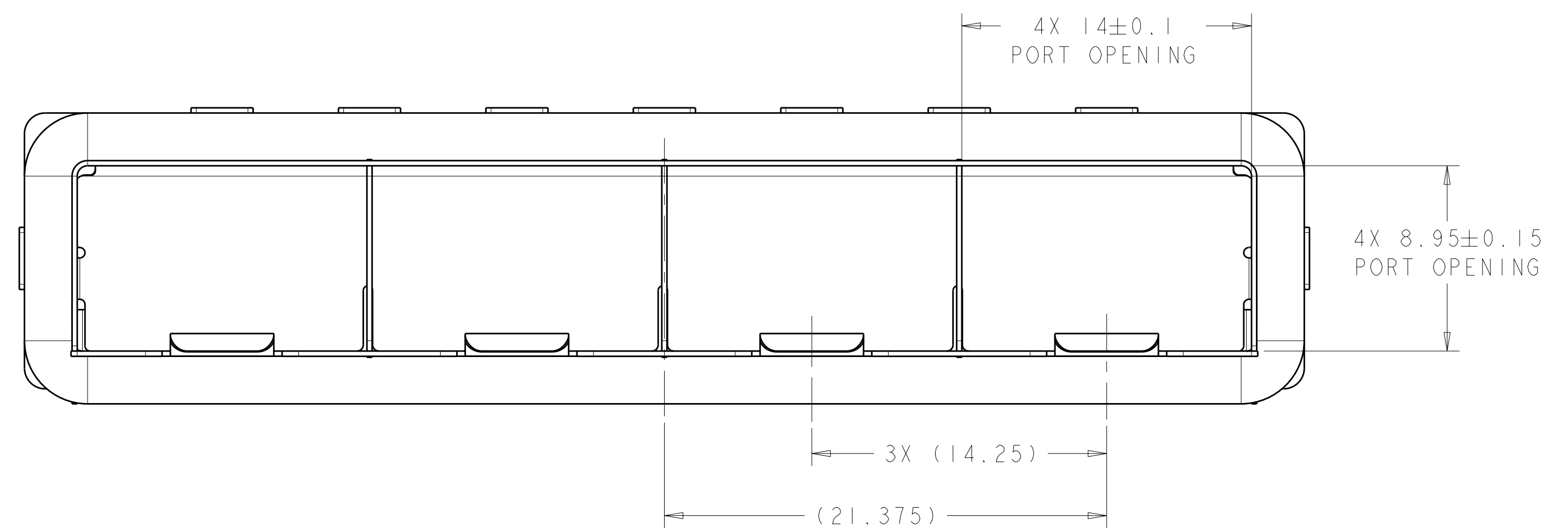
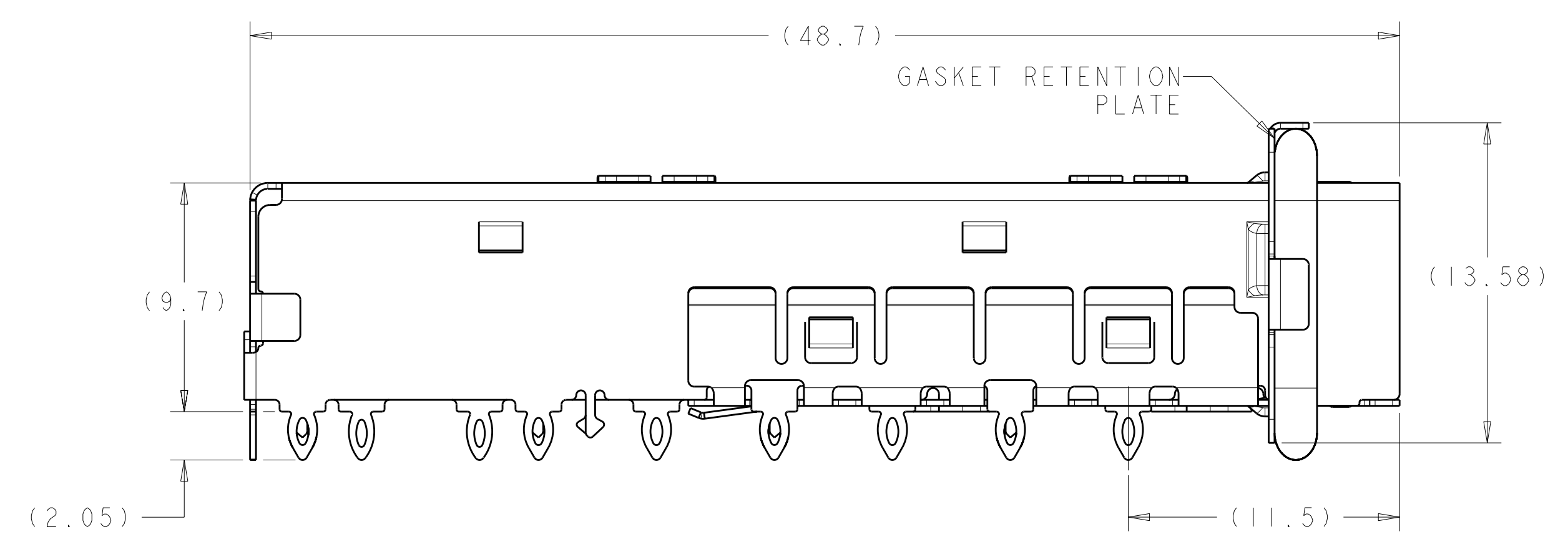


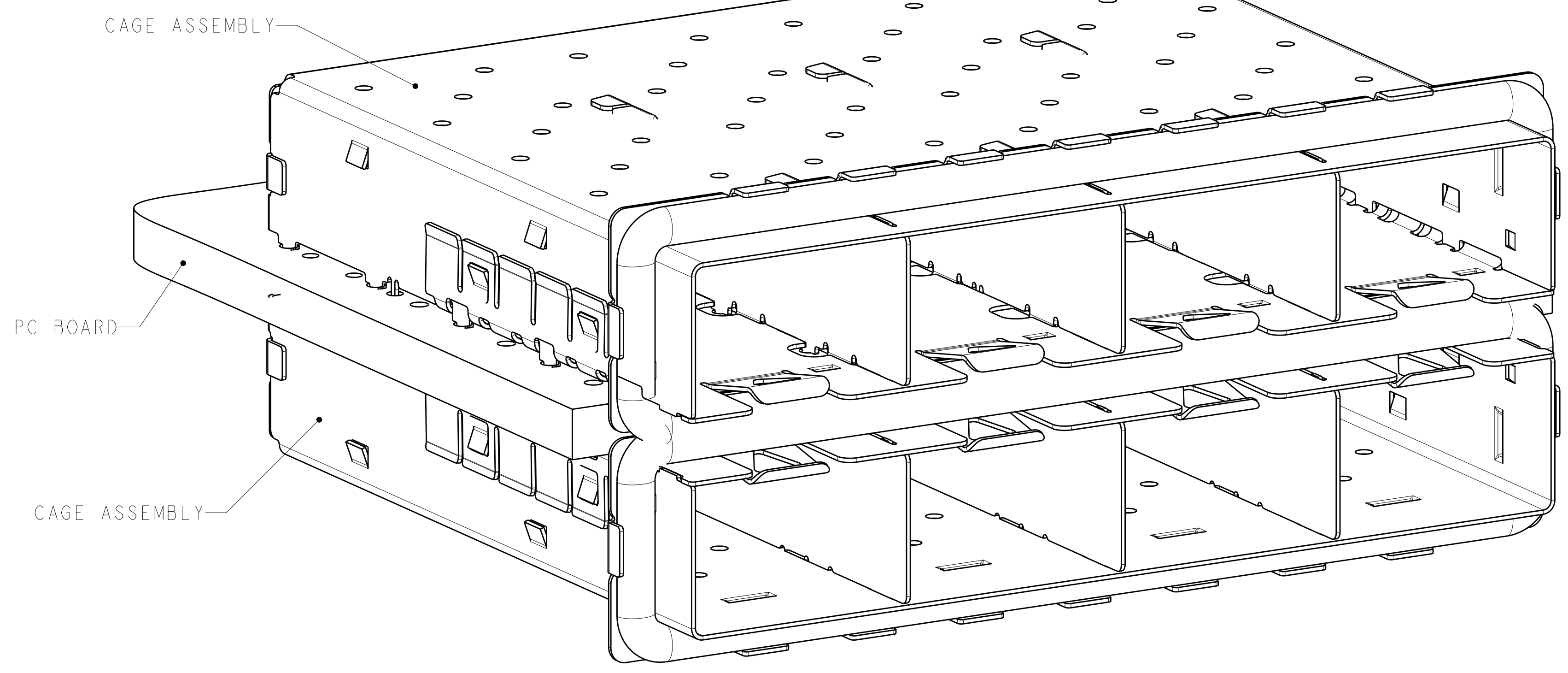
LOC	DIST	REVISIONS				
GP	00	REV	DESCRIPTION	DATE	DWN	APVD
		A	INITIAL RELEASE	26APR2011	TX	CW



2057833-1  
FINISHED ASSEMBLY



- ⚠ MATERIAL:  
CAGE ASSEMBLY: NICKEL SILVER ALLOY  
GASKET RETENTION PLATE: STAINLESS STEEL  
GASKET: PLATED FILLED SILICONE
- ⚠ MINIMUM PC BOARD THICKNESS:  
SINGLE SIDED = 1.50  
DOUBLE SIDED = 3.00
- ⚠ PADS AND VIAS CHASSIS GROUND.
- ⚠ DATUM AND BASIC DIMENSION ESTABLISHED BY CUSTOMER.
- 5. MATES WITH SFP MSA COMPLIANT TRANSCEIVERS.
- 6. INTERPRETATION OF DATUM REFERENCE FRAME IN ACCORDANCE WITH SECT 4.4.1.1 OF ASME Y14.5M-1994.
- ⚠ REFERENCE APPLICATION SPEC. 114-13120, HOLE A, FOR RECOMMENDED DRILL HOLE DIAMETER AND PLATING THICKNESS.
- ⚠ REFERENCE APPLICATION SPEC. 114-13120, HOLE B, FOR RECOMMENDED DRILL HOLE DIAMETER AND PLATING THICKNESS.
- ⚠ HOLE PATTERN REPEATS FOR EACH PORT. SPACING BETWEEN PORTS IS 14.25mm.



2057833-1  
MOUNTED BELLY TO BELLY ON PCB  
SCALE 5:1

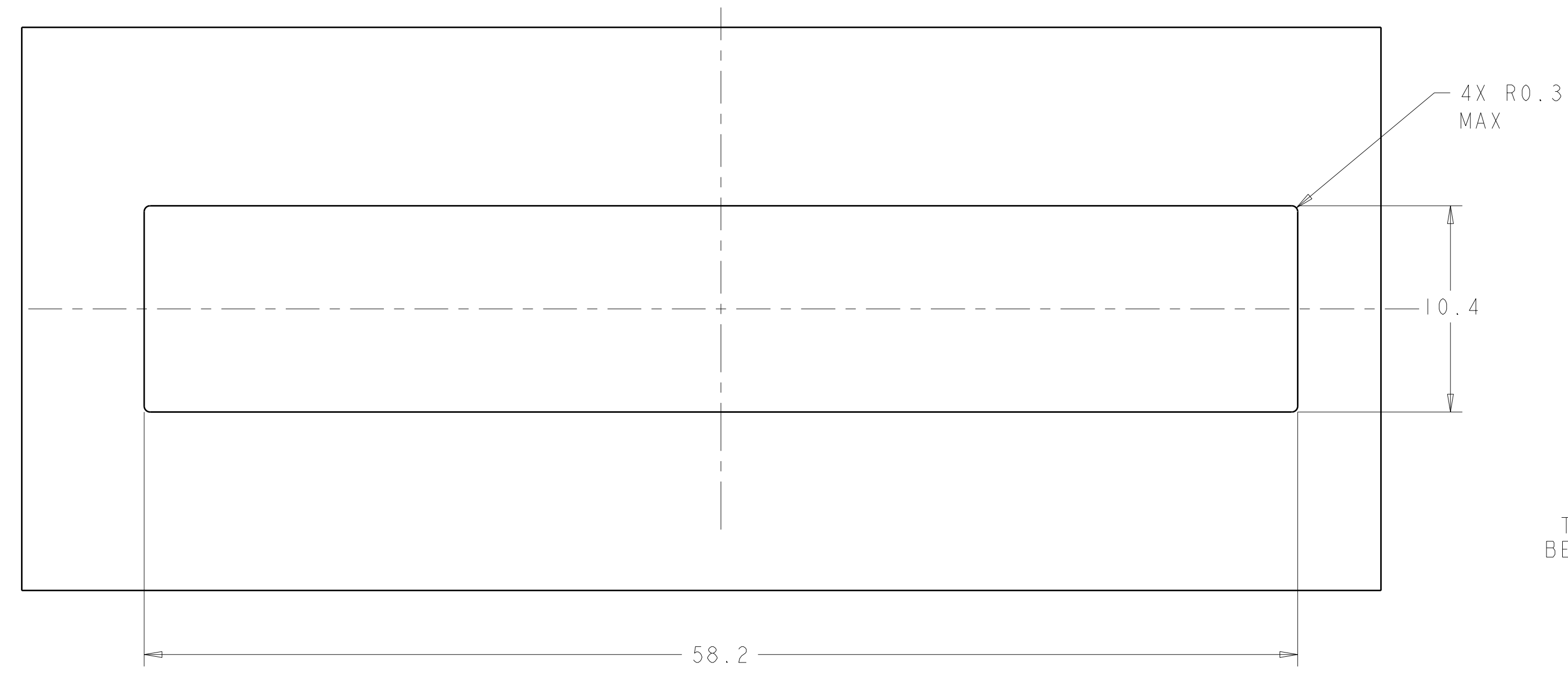
2057833-1  
PART NUMBER

THIS DRAWING IS A CONTROLLED DOCUMENT.		DWN J. POLIGNONE 21NOV08	TE Connectivity	
DIMENSIONS: mm		CHK M. SCHMITT 21NOV08		
TOLERANCES UNLESS OTHERWISE SPECIFIED: 9 PLC ±0.1 1 PLC ±0.1 2 PLC ±0.1 3 PLC ±0.1 4 PLC ±0.1 ANGLES ±0.1		APVD M. SCHMITT 21NOV08		
MATERIAL		NAME 108-2364	1x4 SFP+ ENHANCED, CAGE ASSEMBLY PRESS FIT, BELLY TO BELLY	
FINISH		APPLICATION SPEC 114-13120	SIZE A100779	RESTRICTED TO
CUSTOMER DRAWING		WEIGHT	C=2057833	SCALE 4:1 SHEET 1 OF 4 REV A

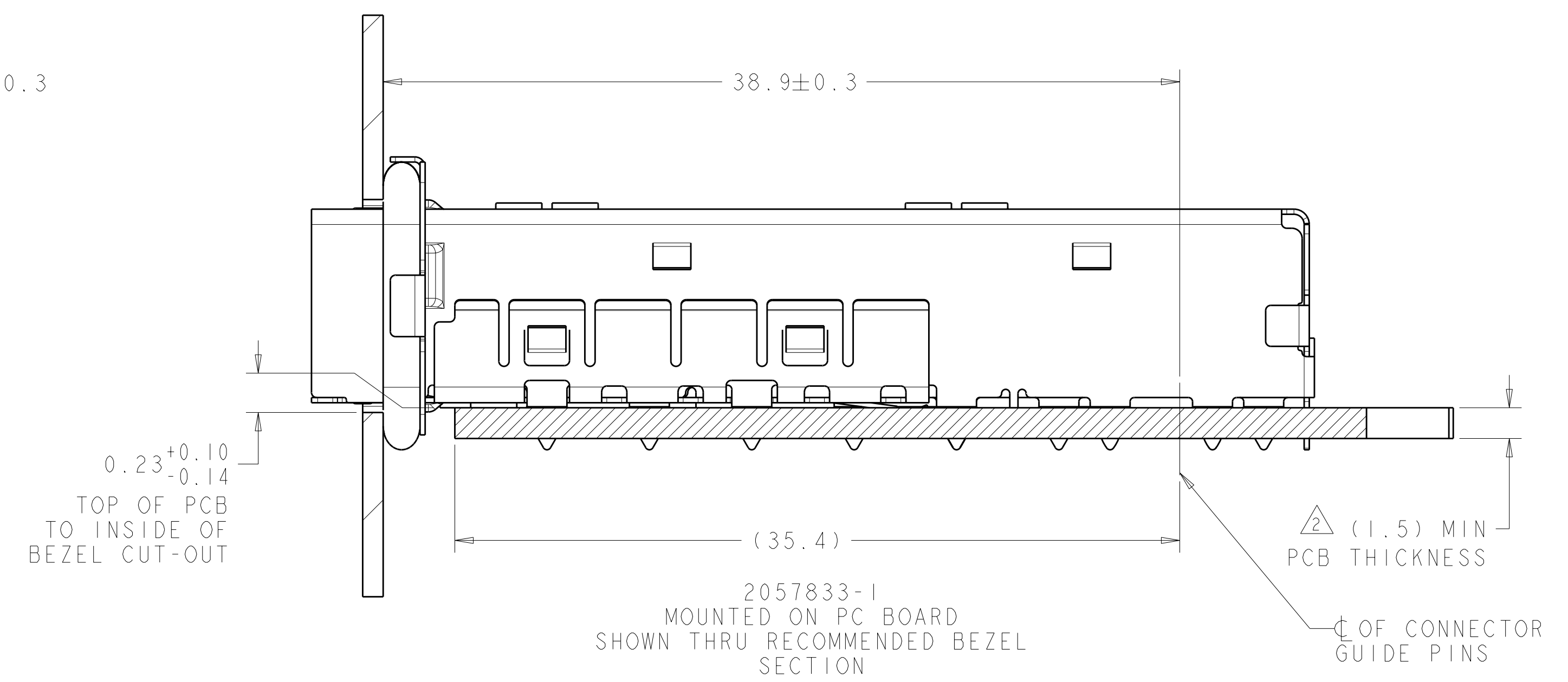
LOC	DIST	REV	DATE	BY	APPV
GP	00				

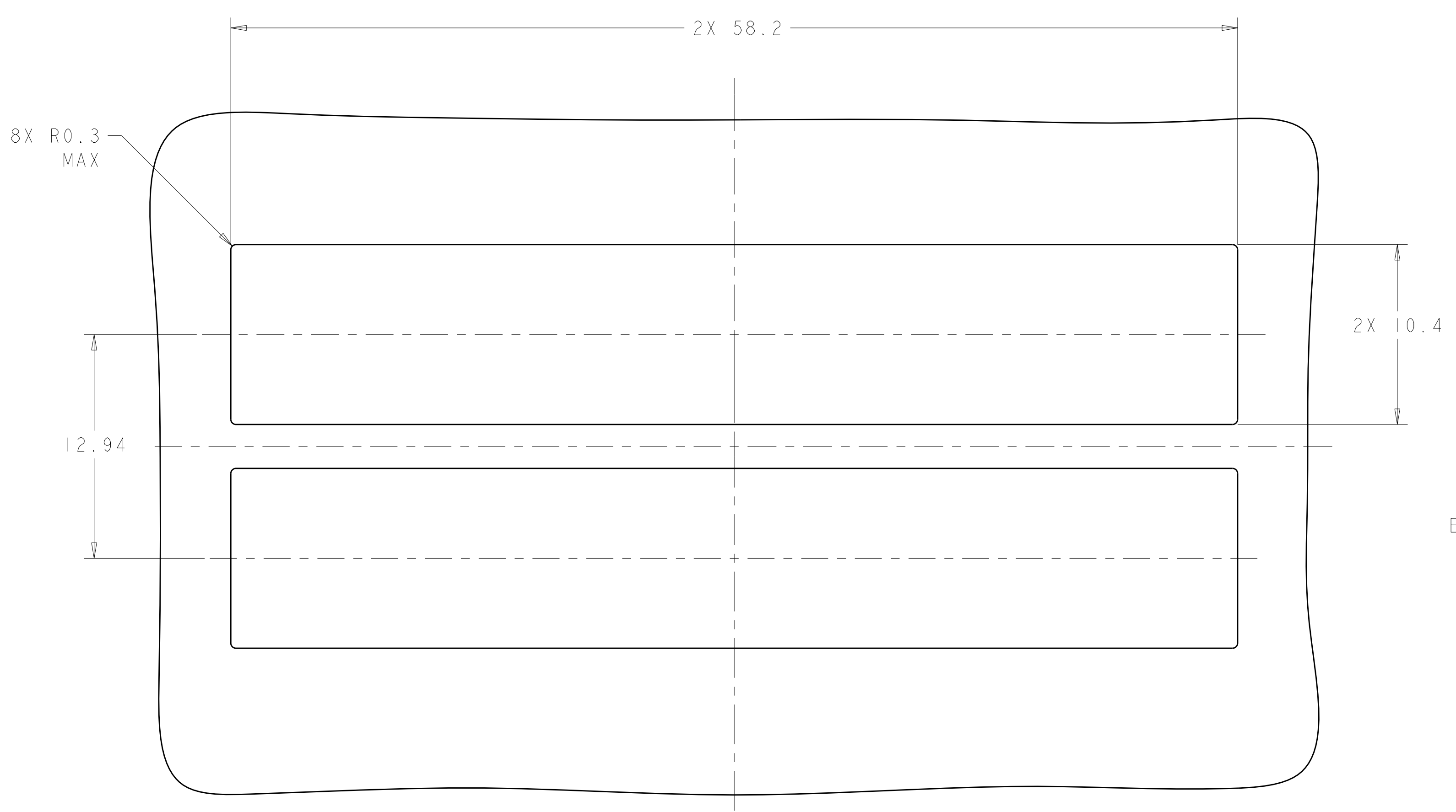
REVISIONS		DATE	BY	APPV
1	SEE SHEET 1			



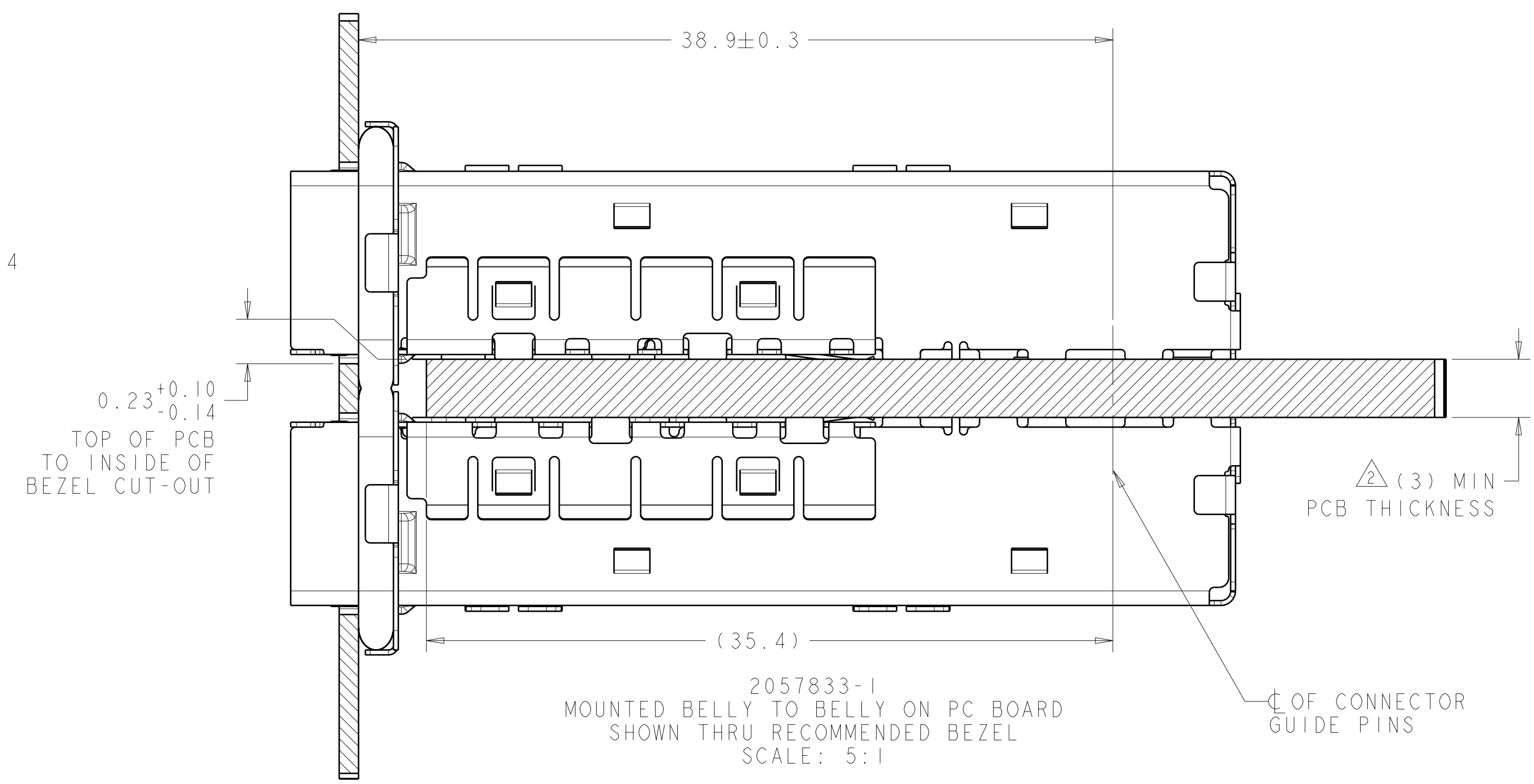
RECOMMENDED BEZEL CUT-OUT  
 SINGLE SIDED APPLICATIONS  
 SCALE 5:1



2057833-1  
 MOUNTED ON PC BOARD  
 SHOWN THRU RECOMMENDED BEZEL  
 SECTION



RECOMMENDED BEZEL CUT-OUT  
 BELLY TO BELLY APPLICATIONS  
 SCALE 5:1



2057833-1  
 MOUNTED BELLY TO BELLY ON PC BOARD  
 SHOWN THRU RECOMMENDED BEZEL  
 SECTION

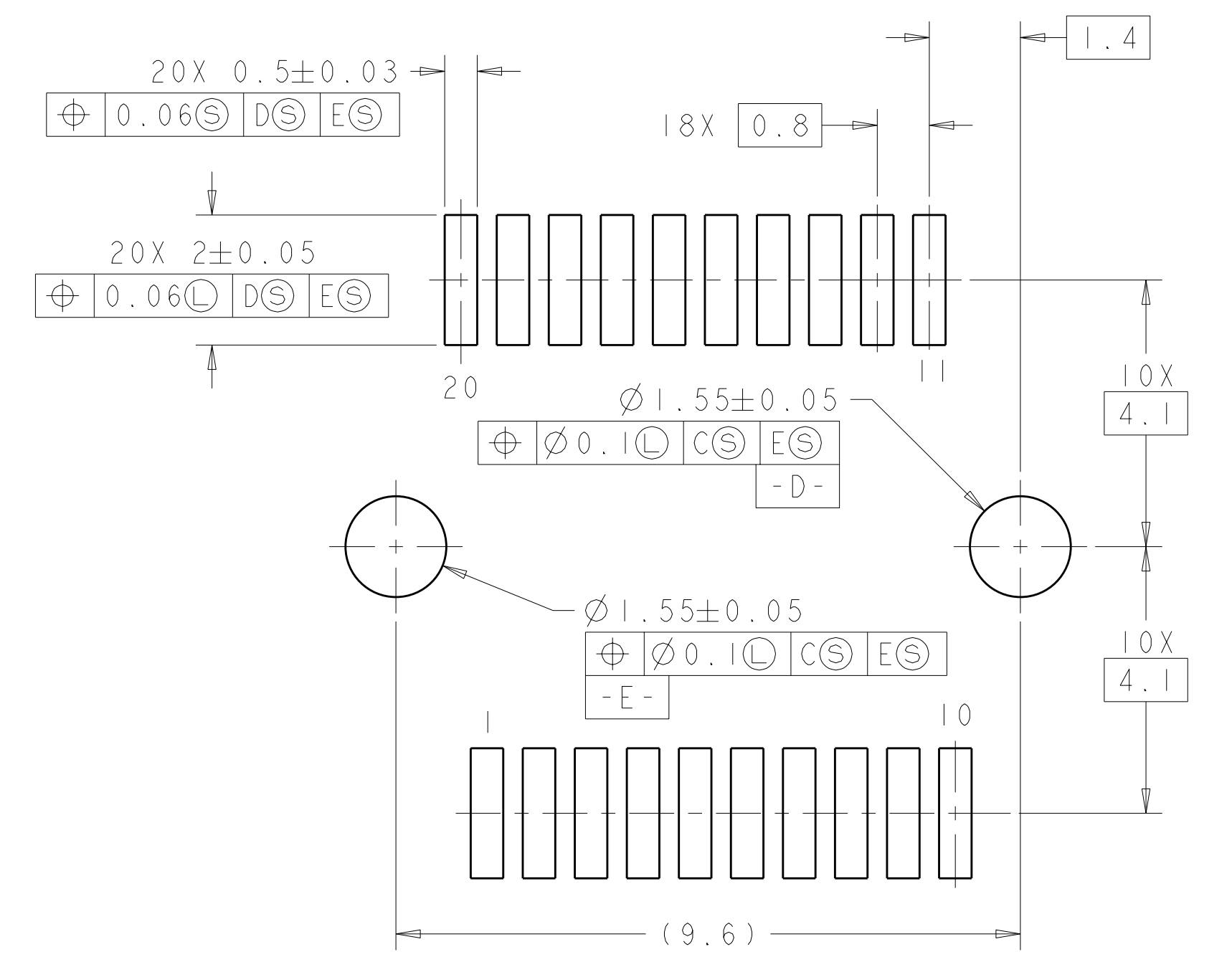
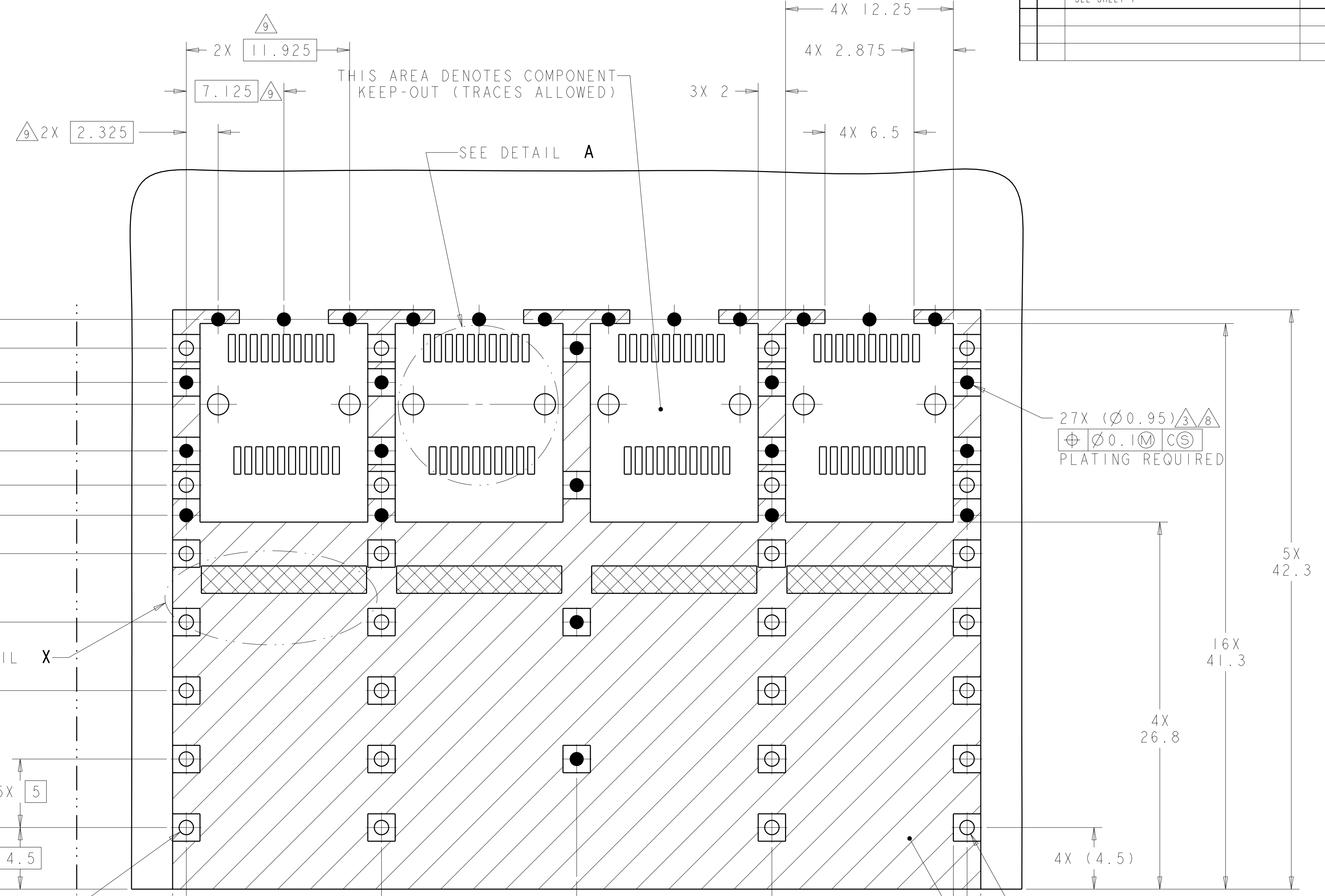
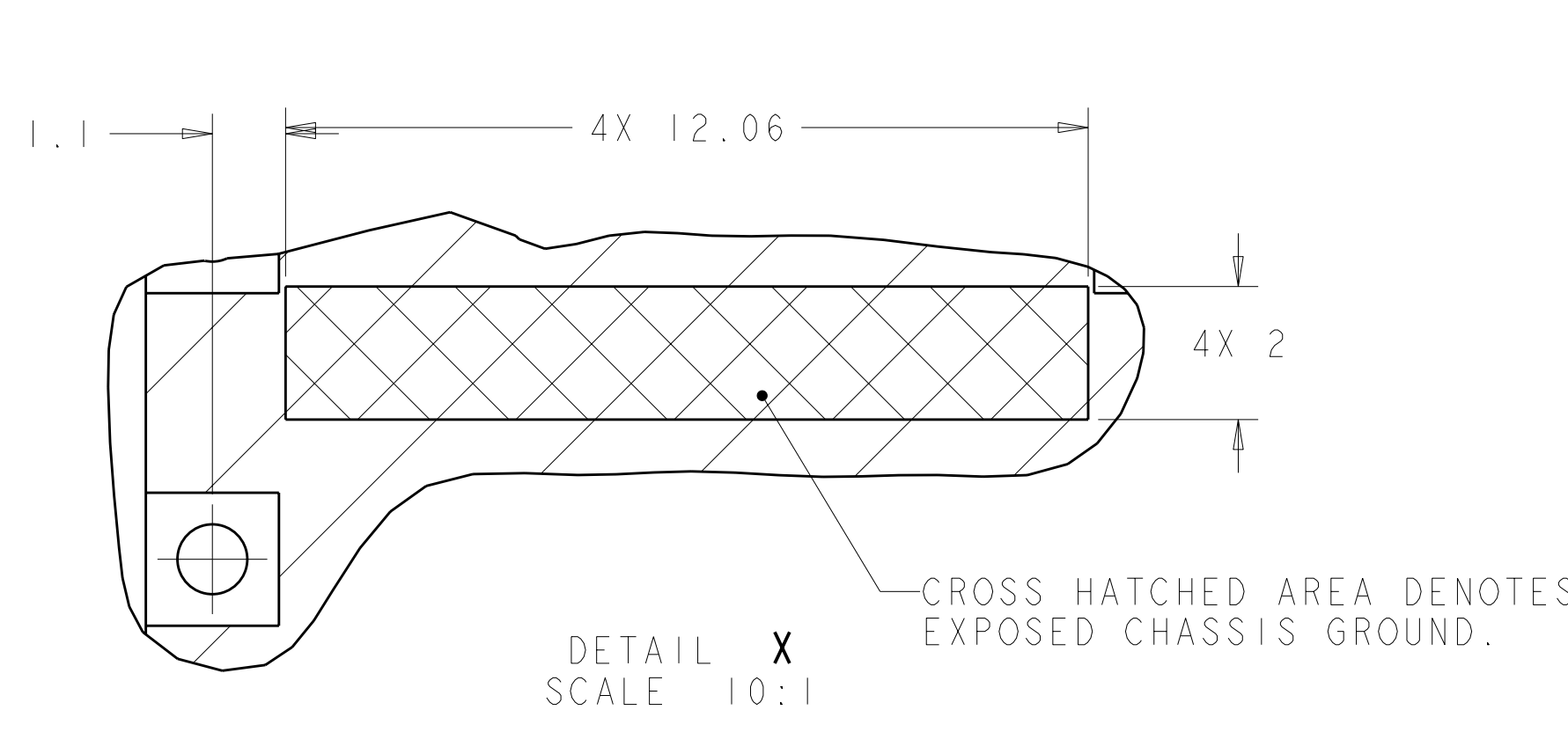
THIS PRINT IS  
**PRELIMINARY**  
 UNQUALIFIED PRODUCT  
 CONTACT PRODUCT ENGINEERING  
 BEFORE USING THIS PRINT

THIS DRAWING IS A CONTROLLED DOCUMENT.		DRN: J. POLIGNONE 21NOV08	TE Connectivity
DIMENSIONS: mm		CHK: M. SCHMITT 21NOV08	
TOLERANCES UNLESS OTHERWISE SPECIFIED:		APVD: M. SCHMITT 21NOV08	NAME: 1x4 SFP+ ENHANCED, CAGE ASSEMBLY PRESS FIT, BELLY TO BELLY
0 PLC	±0.1	PRODUCT SPEC	SIZE: CAGE CODE DRAWING NO. RESTRICTED TO
1 PLC	±0.1	108-2364	A100779C-2057833
2 PLC	±0.1	APPLICATION SPEC	SCALE: 4:1 SHEET 2 OF 4 REV A
3 PLC	±0.1	114-13120	
4 PLC	±0.1	WEIGHT	
ANGLES	±0.1	CUSTOMER DRAWING	
MATERIAL			
FINISH			





LOC	DIST	REVISIONS			
GP	00	REV	DATE	BY	APPD
		1			
		2			
		3			
		4			
		5			
		6			
		7			
		8			
		9			
		10			



RECOMMENDED PCB CONFIGURATION WITH KEEP-OUT AREAS BELLY TO BELLY APPLICATIONS  
SCALE 5:1

THIS DRAWING IS A CONTROLLED DOCUMENT.		DWN J. POLIGNONE	21NOV08	TE Connectivity														
DIMENSIONS: mm		CHK M. SCHMITT	21NOV08															
TOLERANCES UNLESS OTHERWISE SPECIFIED:		APVD M. SCHMITT	21NOV08	NAME 1x4 SFP+ ENHANCED, CAGE ASSEMBLY PRESS FIT, BELLY TO BELLY														
<table border="1"> <tr><td>9 PLC</td><td>±0.1</td></tr> <tr><td>1 PLC</td><td>±0.1</td></tr> <tr><td>2 PLC</td><td>±0.1</td></tr> <tr><td>3 PLC</td><td>±0.1</td></tr> <tr><td>4 PLC</td><td>±0.1</td></tr> <tr><td>ANGLES</td><td>±0.1</td></tr> <tr><td>FINISH</td><td>±1</td></tr> </table>		9 PLC	±0.1	1 PLC	±0.1	2 PLC	±0.1	3 PLC	±0.1	4 PLC	±0.1	ANGLES	±0.1	FINISH	±1	PRODUCT SPEC 108-2364	APPLICATION SPEC 114-13120	SIZE A100779
9 PLC	±0.1																	
1 PLC	±0.1																	
2 PLC	±0.1																	
3 PLC	±0.1																	
4 PLC	±0.1																	
ANGLES	±0.1																	
FINISH	±1																	
MATERIAL		WEIGHT	SCALE 4:1	SHEET 4 OF 4														
CUSTOMER DRAWING		REV A																

单击下面可查看定价，库存，交付和生命周期等信息

[>>TE Connectivity\(泰科\)](#)