

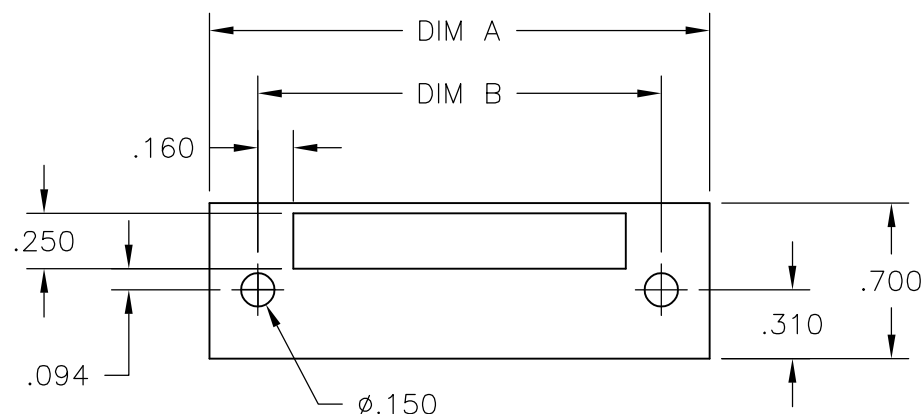
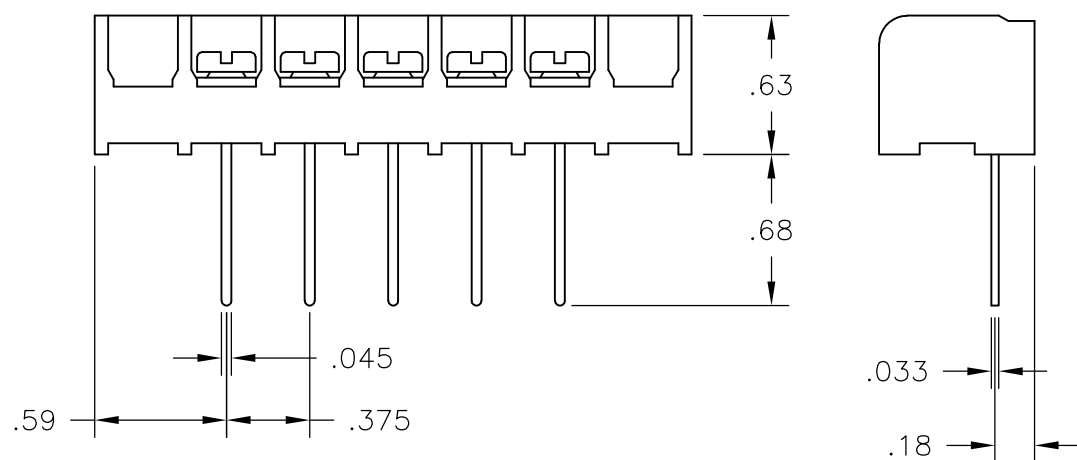
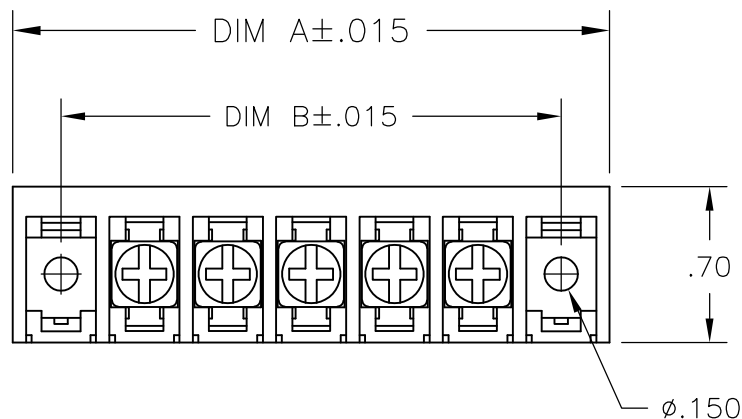
THIS DRAWING IS UNPUBLISHED. RELEASED FOR PUBLICATION
 © COPYRIGHT BY TYCO ELECTRONICS CORPORATION. ALL RIGHTS RESERVED.

LOC	DIST	REVISIONS					
FT	0	P	LTR	DESCRIPTION	DATE	DWN	APVD
			B	REVISED PER ECO-10-012475	22SEP10	HMR	CR

MATERIAL:
 HOUSING MATERIAL: THERMOPLASTIC, UL94V-0, BLACK.
 TERMINALS: BRIGHT TIN PLATED, COPPER ALLOY.
 SCREWS: 6-32, STEEL, ZINC PLATED.

ELECTRICAL:
 MAXIMUM CURRENT: 25A
 OPERATING VOLTAGE: 300V, 600V LIMITED.
 WIRE RANGE: 12-22 AWG

ENVIRONMENT:
 OPERATING TEMP.: 105°C MAX.



RECOMMENDED PANEL LAYOUT

10.875	11.311	28	6WWV-28-006	1-796608-9
10.500	10.936	27	6WWV-27-006	1-796608-8
10.125	10.561	26	6WWV-26-006	1-796608-7
9.750	10.186	25	6WWV-25-006	1-796608-6
9.375	9.811	24	6WWV-24-006	1-796608-5
9.000	9.436	23	6WWV-23-006	1-796608-4
8.625	9.061	22	6WWV-22-006	3-1546159-8
8.250	8.686	21	6WWV-21-006	1-796608-3
7.875	8.311	20	6WWV-20-006	3-1546159-5
7.500	7.936	19	6WWV-19-006	1-796608-2
7.125	7.561	18	6WWV-18-006	1-796608-1
6.750	7.186	17	6WWV-17-006	1-796608-0
6.375	6.811	16	6WWV-16-006	796608-9
6.000	6.436	15	6WWV-15-006	796608-8
5.625	6.061	14	6WWV-14-006	796608-7
5.250	5.686	13	6WWV-13-006	796608-6
4.875	5.311	12	6WWV-12-006	3-1546159-2
4.500	4.936	11	6WWV-11-006	796608-5
4.125	4.561	10	6WWV-10-006	2-1546159-9
3.750	4.186	9	6WWV-09-006	796608-4
3.375	3.811	8	6WWV-08-006	1437656-3
3.000	3.436	7	6WWV-07-006	796608-3
2.625	3.061	6	6WWV-06-006	2-1546159-7
2.250	2.686	5	6WWV-05-006	2-1546159-6
1.875	2.311	4	6WWV-04-006	4-1437655-9
1.500	1.936	3	6WWV-03-006	796608-1
1.125	1.561	2	6WWV-02-006	796608-2
DIM B	DIM A	NO. OF POS	CATALOG NUMBER	TE PART NO.

THIS DRAWING IS A CONTROLLED DOCUMENT.		DWN S SCHLEGEL 7/10/06	Tyco Electronics Corporation Harrisburg, PA 17105-3608	
DIMENSIONS: INCHES		CHK S YODER 7/10/06		
TOLERANCES UNLESS OTHERWISE SPECIFIED:		APVD S YODER 7/10/06	NAME 6WWV-XX-006 ASSEMBLY	
0 PLC ± - 1 PLC ± - 2 PLC ± .02 3 PLC ± .010 4 PLC ± - ANGLES ± 1°		PRODUCT SPEC -	APPLICATION SPEC -	
MATERIAL -		WEIGHT -	SIZE A3	CAGE CODE 00779
FINISH -		DRAWING NO C-4-1437655-9		RESTRICTED TO -
CUSTOMER DRAWING			SCALE NTS	SHEET 1 OF 1
			REV B	

单击下面可查看定价，库存，交付和生命周期等信息

[>>TE Connectivity\(泰科\)](#)