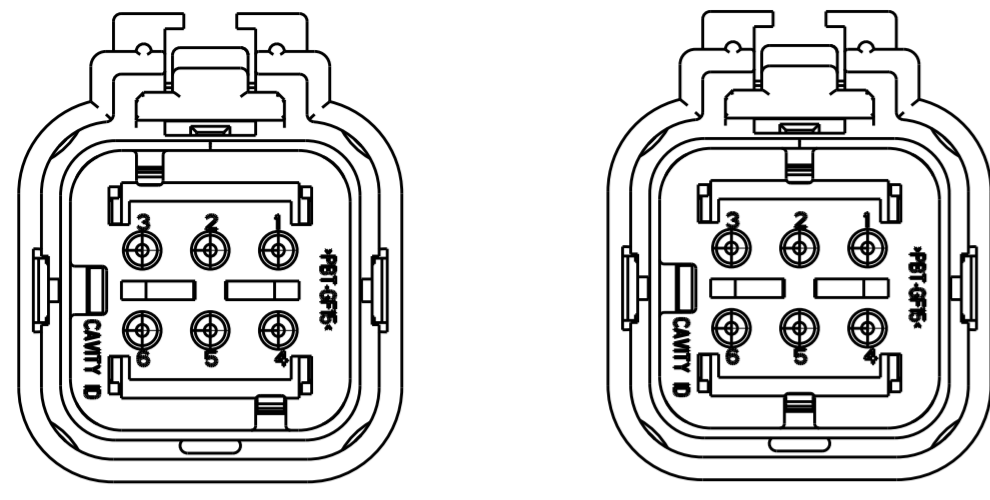
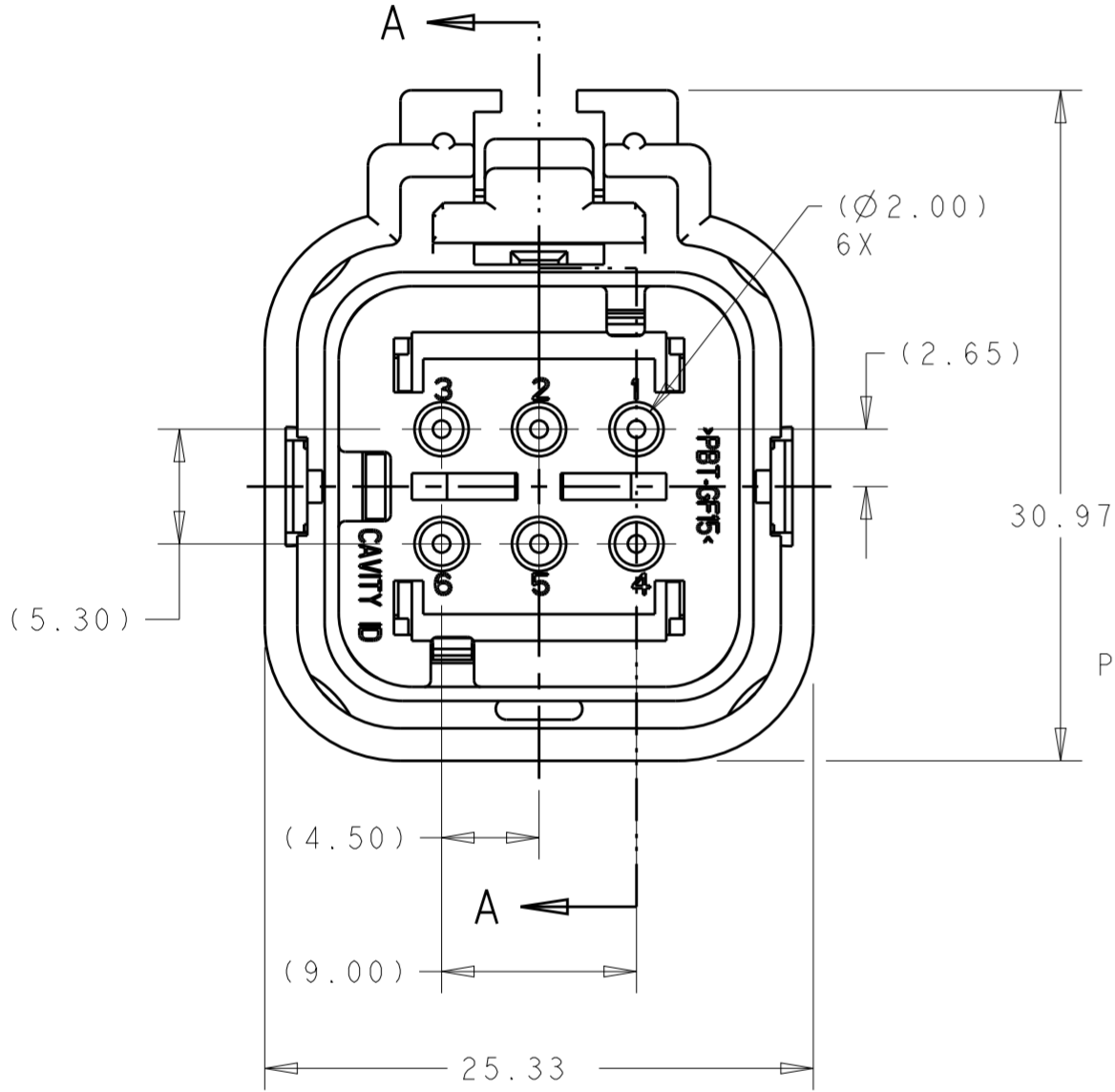


REVISIONS				
P	LTR	DESCRIPTION	DATE	APVD
A		RELEASED PER ECO-10-009942	28MAY2010	DD RB
B		REVISED PER ECO-13-019865	27DEC2013	DR RB

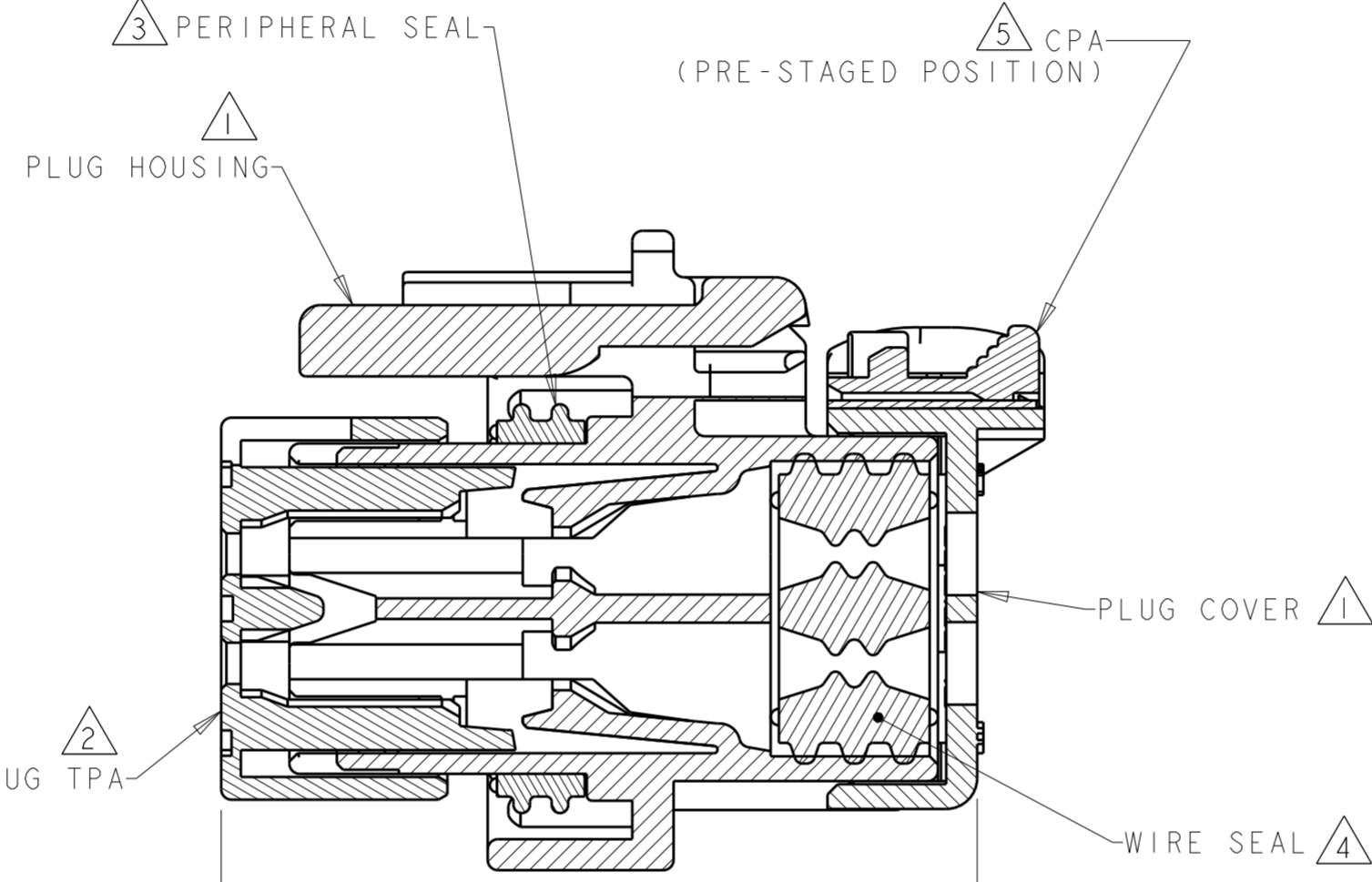


2098238-2
 PURPLE TPA
 KEY B
 SCALE 2:1

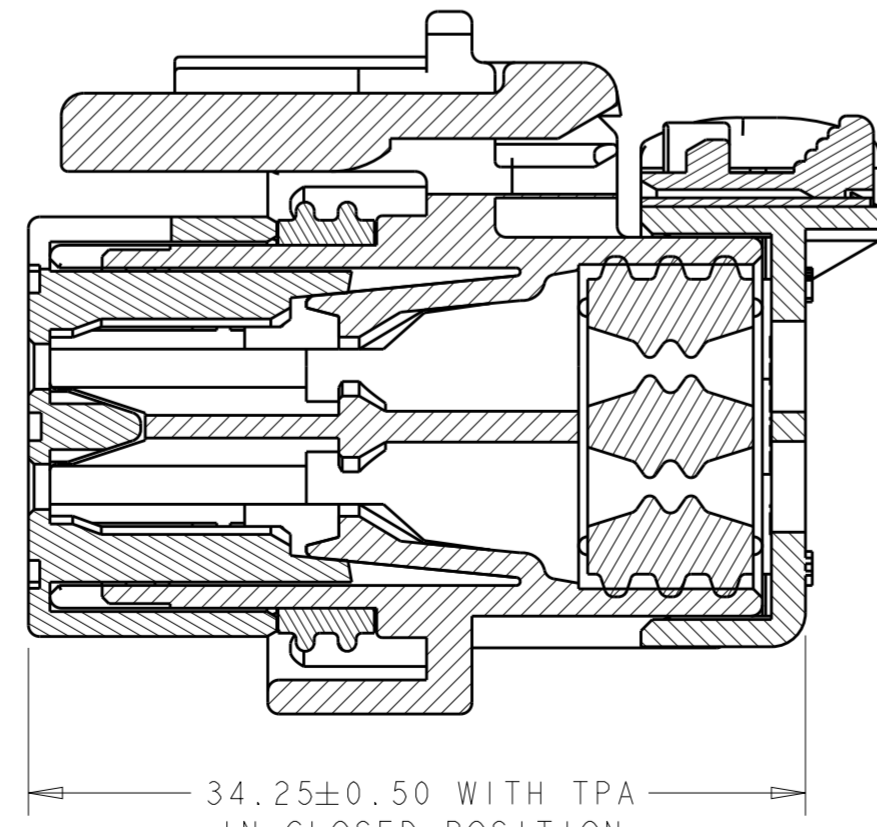
2098238-3
 BLUE TPA
 KEY C
 SCALE 2:1



2098238-1 SHOWN
 ORANGE TPA
 KEY A

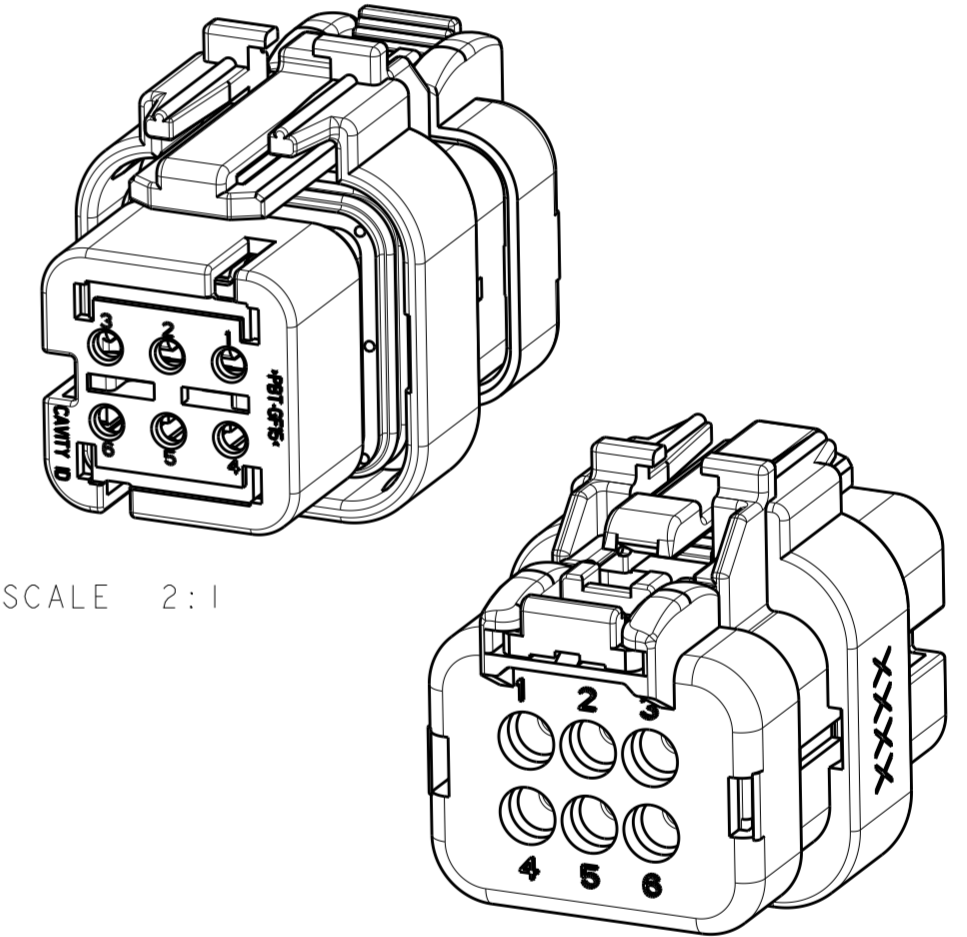


SECTION A-A



SECTION A-A

- 1 HOUSING AND COVER MATERIAL: 25% GLASS FILLED THERMOPLASTIC
 COLOR: NATURAL (BROWN)
- 2 TPA MATERIAL: 15% GLASS FILLED THERMOPLASTIC
 COLOR: (SEE TABLE)
- 3 PERIPHERAL SEAL MATERIAL: SILICONE
 COLOR: BLUE
- 4 WIRE SEAL MATERIAL: SILICONE
 COLOR: LIGHT GRAY
- 5 CPA MATERIAL: 20% GLASS FILLED THERMOPLASTIC
 COLOR: ORANGE
- 6. RECOMMENDED WIRE DIAMETER RANGE IS 1.30 TO 2.54mm



SCALE 2:1

SCALE 2:1

C	BLUE	2098238-3
B	PURPLE	2098238-2
A	ORANGE	2098238-1
KEY	TPA COLOR	PART NUMBER

THIS DRAWING IS A CONTROLLED DOCUMENT.		DWN 01 JUN 2009 RUSTY WORTHINGTON	TE Connectivity
DIMENSIONS: mm		CHK 01 JUN 2009 ROGER BALTER	
TOLERANCES UNLESS OTHERWISE SPECIFIED:		APVD 01 JUN 2009 ROGER BALTER	NAME PLUG ASSEMBLY, 6 POSITION, DUAL ROW, AMPSEAL 16, VO MATERIAL, REDUCED DIA WIRE SEAL
0 PLC ±		PRODUCT SPEC 108-2184	
1 PLC ±0.5		APPLICATION SPEC 114-13065	SIZE CAGE CODE DRAWING NO
2 PLC ±0.30		WEIGHT 14±1g	A20779C-2098238
3 PLC ±		CUSTOMER DRAWING	RESTRICTED TO
4 PLC ±		SCALE 3:1	SHEET 1 OF 1
ANGLES ±			REV B
FINISH -			

单击下面可查看定价，库存，交付和生命周期等信息

[>>TE Connectivity\(泰科\)](#)