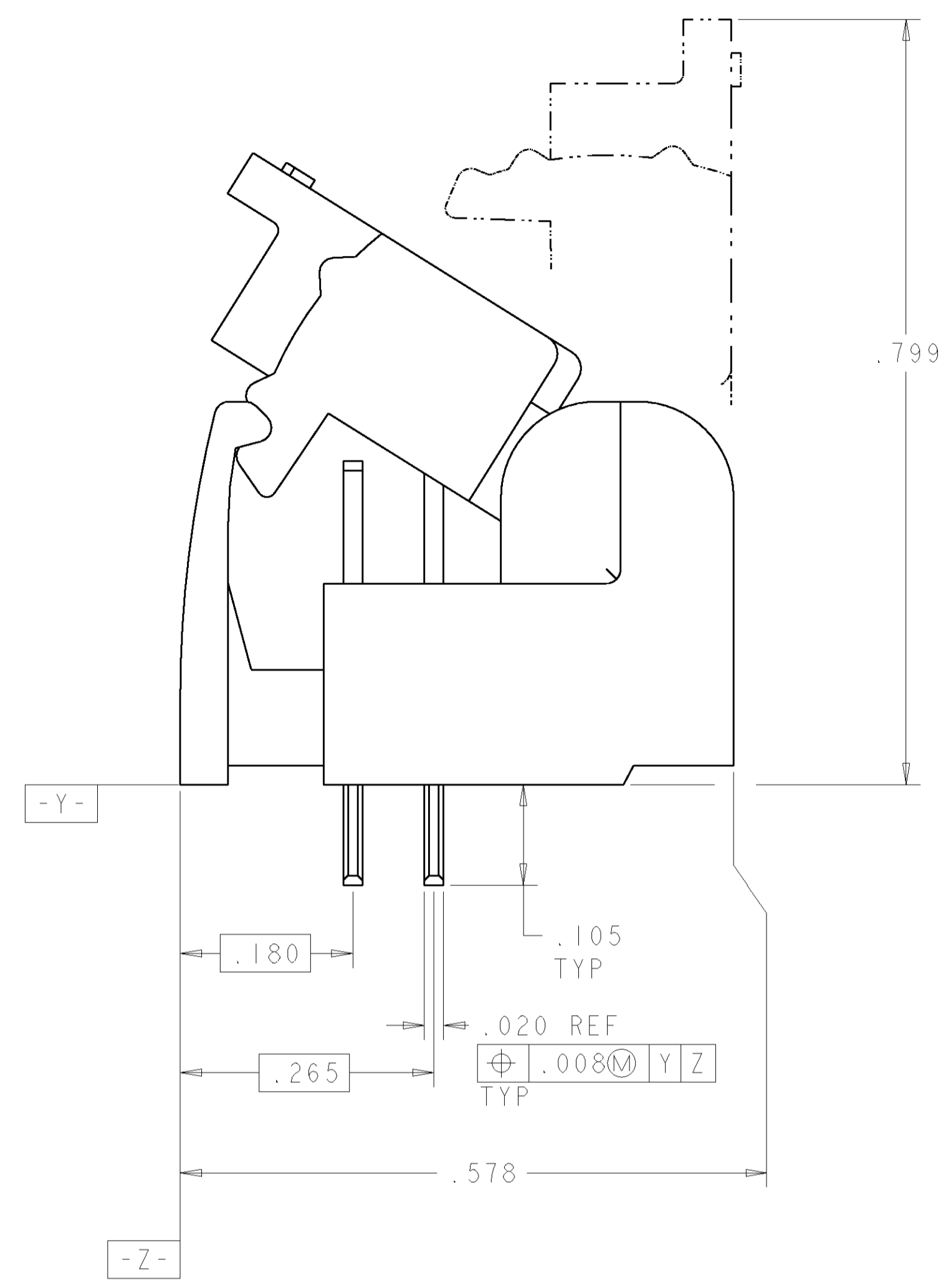
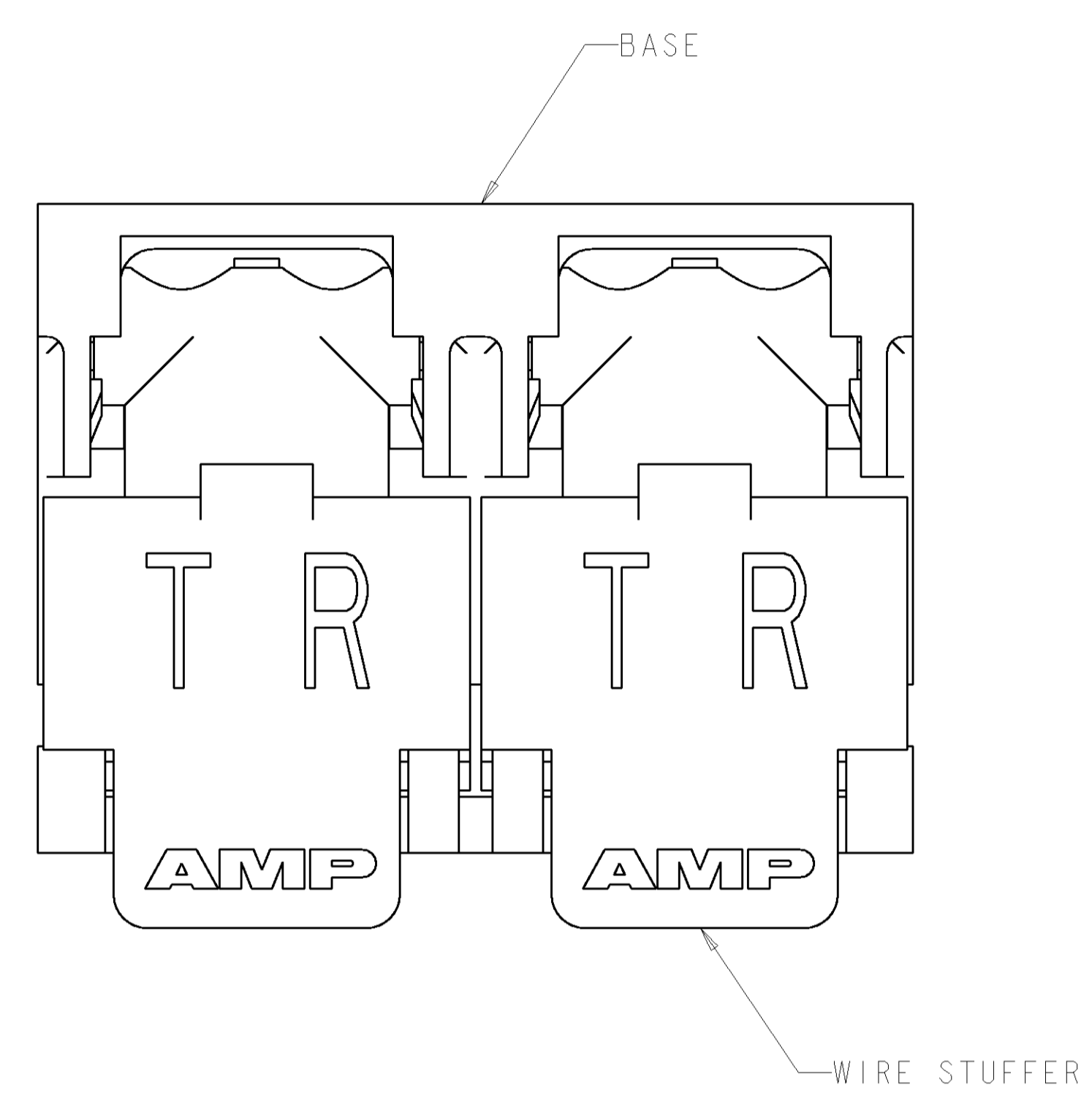
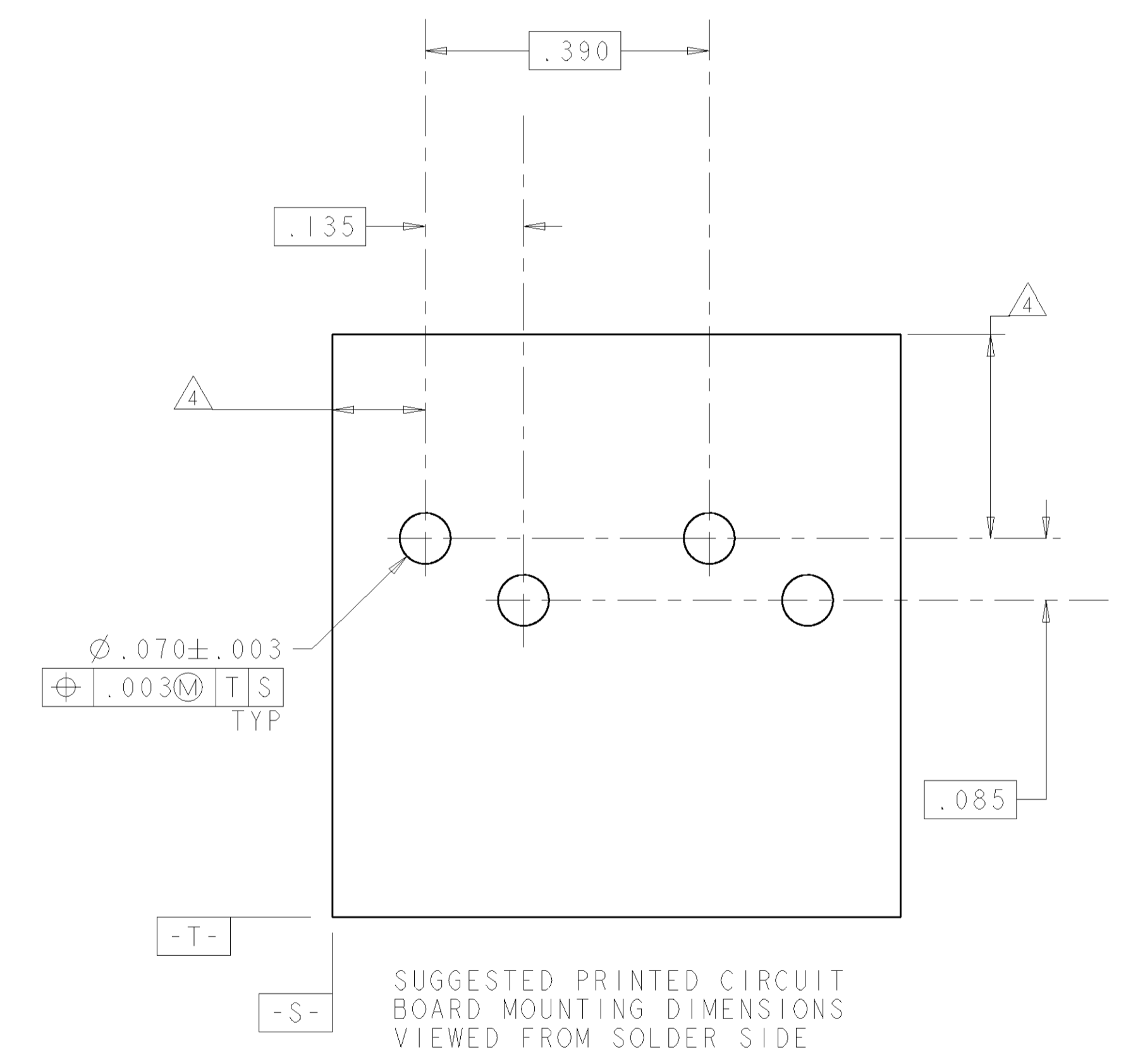
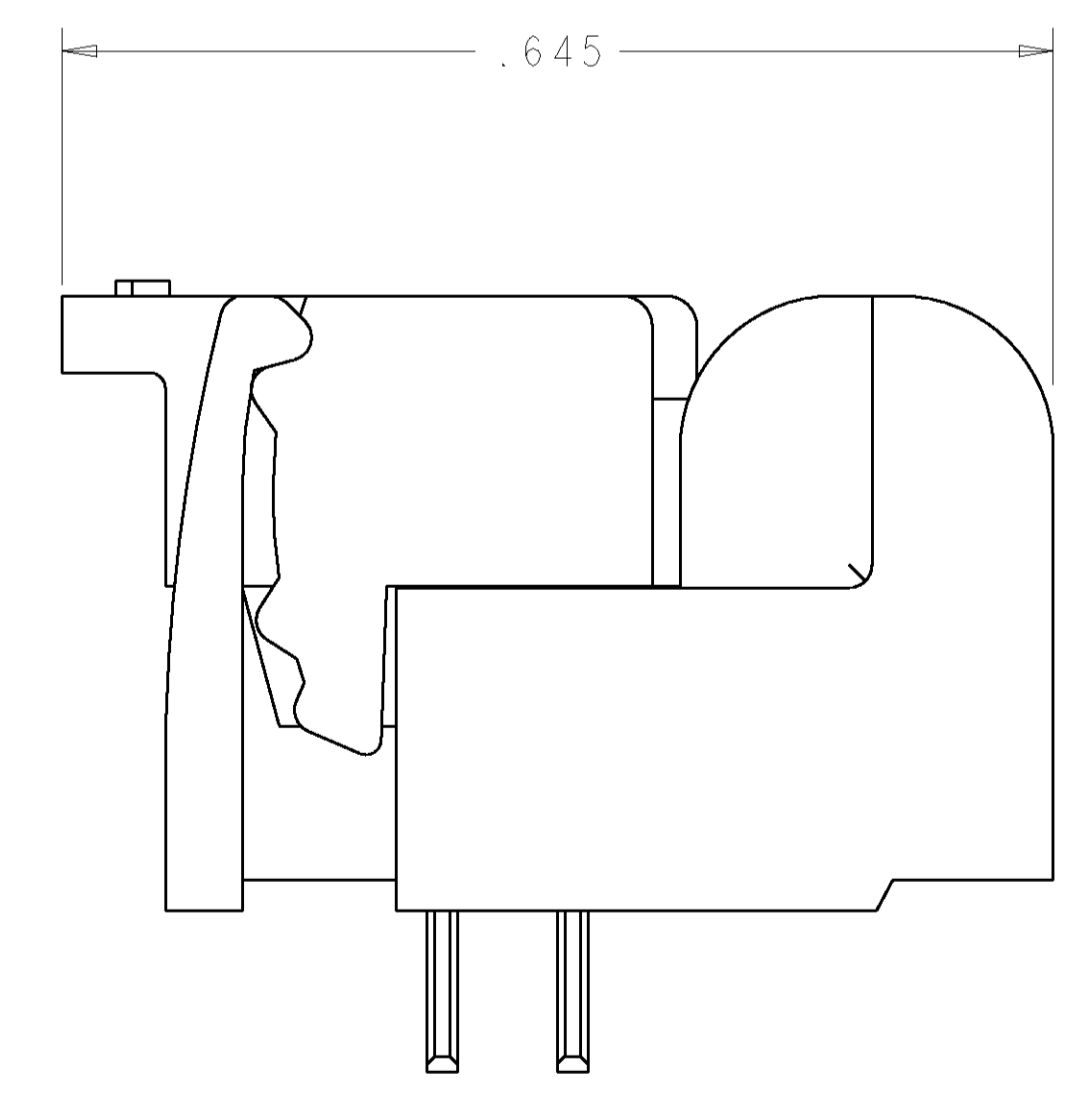
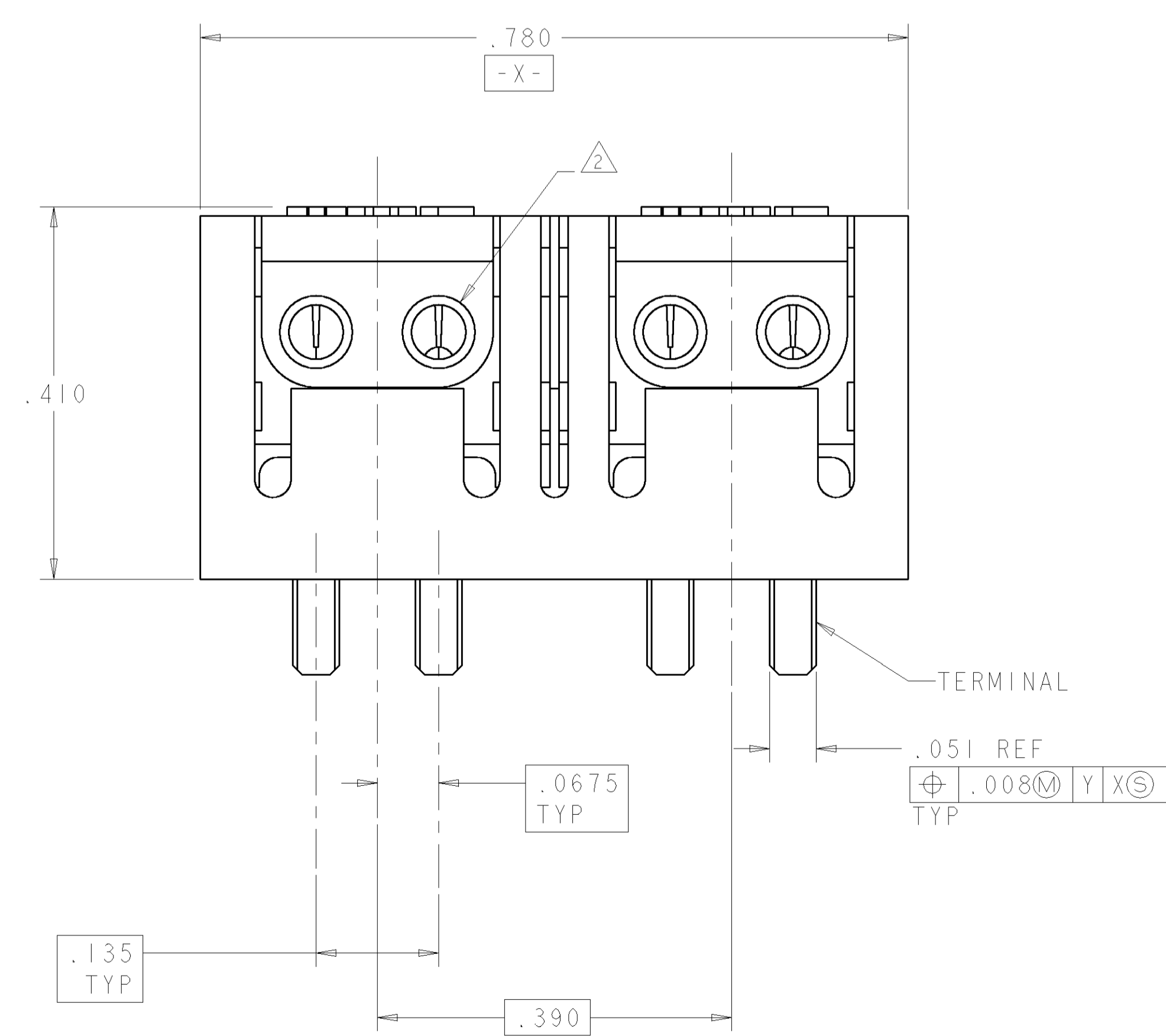


LOC	DIST	REVISIONS			
F	LTW	DESCRIPTION	DATE	DWN	APPD
B		REVISED: EC QUIC-0007-01	22JAN2001	JA	TW
C		REVISED PER EC 0S15-0450-02	21JAN2003	DLD	RPM
D		REVISED PER EC 0S15-0324-03	04DEC2003	JB	CF



- 1 MATERIAL: BASE - POLYESTER MOLDING COMPOUND, BLACK.  
 WIRE STUFFER: - POLYCARBONATE MOLDING COMPOUND, CLEAR.  
 TERMINAL - COPPER ALLOY, PLATED WITH 3.81  $\mu\text{m}$  MINIMUM THICK TIN OVER 1.27  $\mu\text{m}$  MINIMUM THICK NICKEL UNDERPLATE.
- 2 EACH WIRE ENTRY HOLE ACCEPTS ONE UNSTRIPPED SOLID COPPER 22-26 AWG WIRE WITH WIRE INSULATION DIAMETER RANGE FROM .060 THROUGH .040. OTHER WIRE SIZES AND TYPES SHALL BE SUBMITTED TO AMP ENGINEERS FOR APPLICATION APPROVAL.
- 3. SOLDER TABS PROVIDED FOR PERMANENT BOARD MOUNTING.
- 4 LOCATION OF HOLE PATTERN DETERMINED BASED ON CUSTOMER REQUIREMENTS.



RED	GREEN	CLEAR	1339305-1
R	T	WIRE STUFFER	PART NUMBER
COLOR CODE			
<small>THIS DRAWING IS UNPUBLISHED. RELEASED FOR PUBLICATION. ALL RIGHTS RESERVED. ALL DIMENSIONS ARE IN INCHES UNLESS OTHERWISE SPECIFIED. DIMENSIONS IN PARENTHESES ARE FOR INFORMATION ONLY. DIMENSIONS IN PARENTHESES SHALL BE CONTACTED FOR THE LATEST REVISION.</small>		DWN: R. ZARBOCK 28APR00 ENY: M. DERSTINE 28APR00 APPD: M. DERSTINE 28APR00	AMP Incorporated Harrisburg, PA 17105-3608
DIMENSIONS: INCHES 0 PLC ± 1 PLC ±.01 2 PLC ±.01 3 PLC ±.005 4 PLC ± ANGLES ± FINISH -		PRODUCT SPEC APPLICATION SPEC WEIGHT CUSTOMER DRAWING	NAME: ASSEMBLY, DOUBLE PAIR, SINGLE ENTRY, PIVOT II CONNECTOR SIZE: A1 CAGE CODE: 00779 DRAWING NO: 1339305 SCALE: 6:1 SHEET 1 OF 1 REV D

单击下面可查看定价，库存，交付和生命周期等信息

[>>TE Connectivity\(泰科\)](#)