

Molded Parts Customer Drawing

Part Number : 202D253-XX-74

ECO NO.: ECO-07-012331

NOTES

- All dimensions are in $\frac{\text{inches}}{\text{[millimeters]}}$
- Dimensions appearing in table are as follows:
 - a - As Supplied
 - b - After Unrestricted Recovery
- Coating is optional. As supplied dimensions appearing in table are for uncoated parts. When coating is added, entry diameters will be reduced by .06 max.

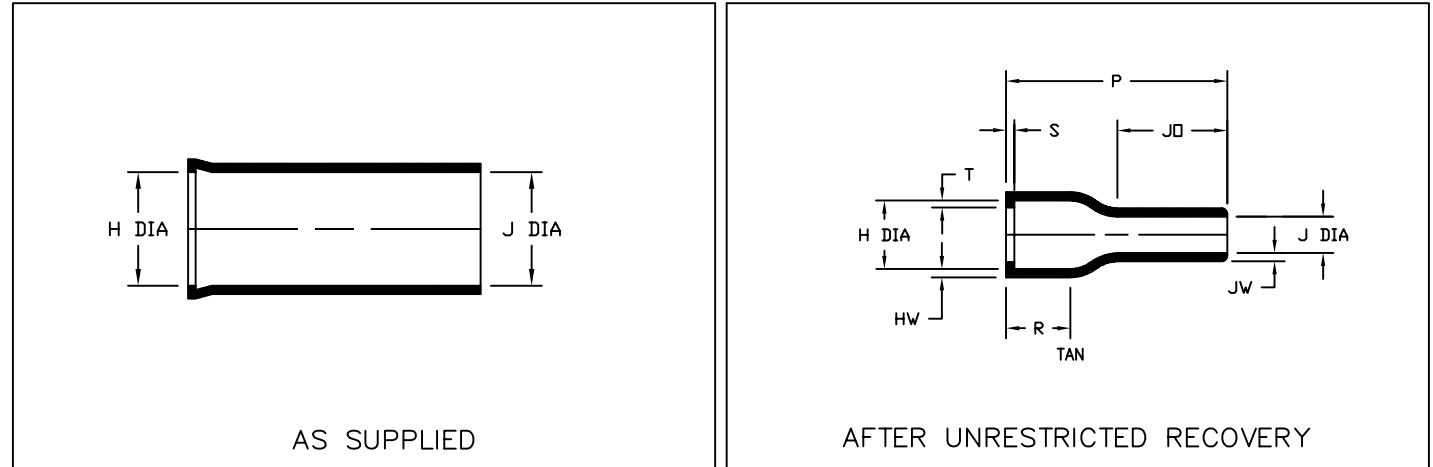


TABLE OF DIMENSIONS											
PART NUMBER	H		J		P	JO	R	S	T	HW	JW
	Min	Max	Min	Max	±10%	±10%	Ref	Ref	Ref	±20%	±20%
	a	b	a	b	b	b	b	b	b	b	b
202D253-XX-74	1.47 [37,3]	1.16 [29,5]	1.47 [37,3]	.41 [10,4]	2.24 [56,9]	1.00 [25,4]	.55 [14,0]	.12 [3,0]	.065 [1,65]	.08 [2,0]	.045 [1,14]

If this document is printed it becomes uncontrolled. Check for the latest revision



TYCO ELECTRONICS
300 CONSTITUTION DRIVE
MENLO PARK, CALIFORNIA 94025

Revision : A

Date : 5/24/07

Page 1 of 2

Part Number : 202D253-XX-74

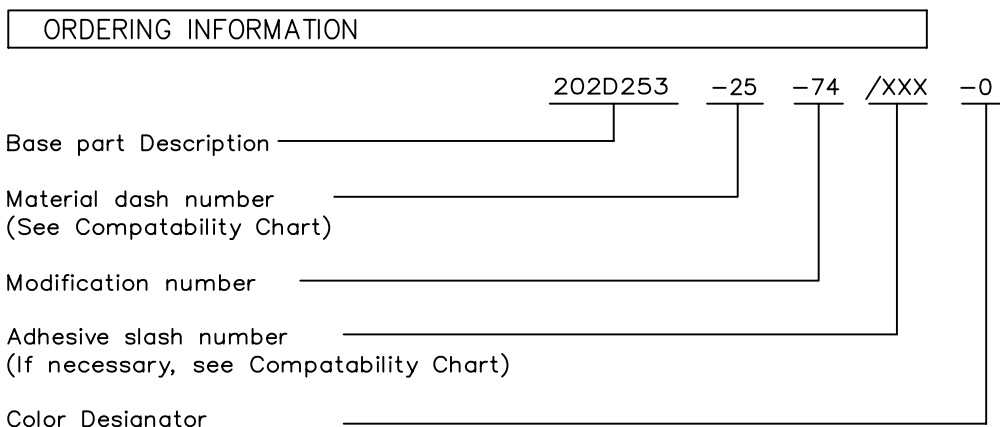
Description : Boot, Straight With Lip

Molded Parts Customer Drawing

Drawing Number : 202D253-XX-74

Description : Boot, Straight, With Lip

COMPATABILITY CHART					
MATERIAL DASH NO.	MATERIAL DESCRIPTION	RT SPEC	COATING SLASH NO.	COATING S NO.	COATING DESCRIPTION
-25	Elastomer, Fluid Resistant	RT-1325	N/A		



THIS DRAWING IS SUBJECT TO CHANGE WITHOUT NOTICE; CONSULT YOUR
NEAREST FIELD REPRESENTATIVE FOR CURRENT REVISION

If this document is printed it becomes uncontrolled. Check for the latest revision



TYCO ELECTRONICS
300 CONSTITUTION DRIVE
MENLO PARK, CALIFORNIA 94025

© 2007 Tyco Electronics Corporation. All rights reserved

Revision : A

Date : 5/24/07

Page 2 of 2

Drawing Number : 202D253-XX-74

Description : Boot, Straight, With Lip

单击下面可查看定价，库存，交付和生命周期等信息

[>>TE Connectivity\(泰科\)](#)