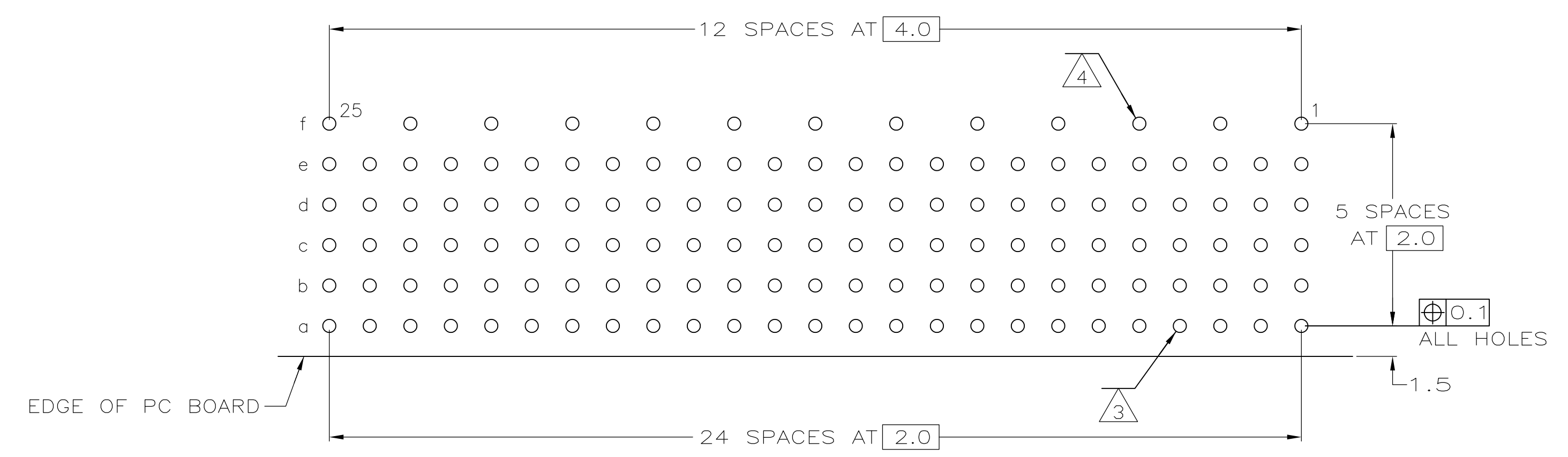
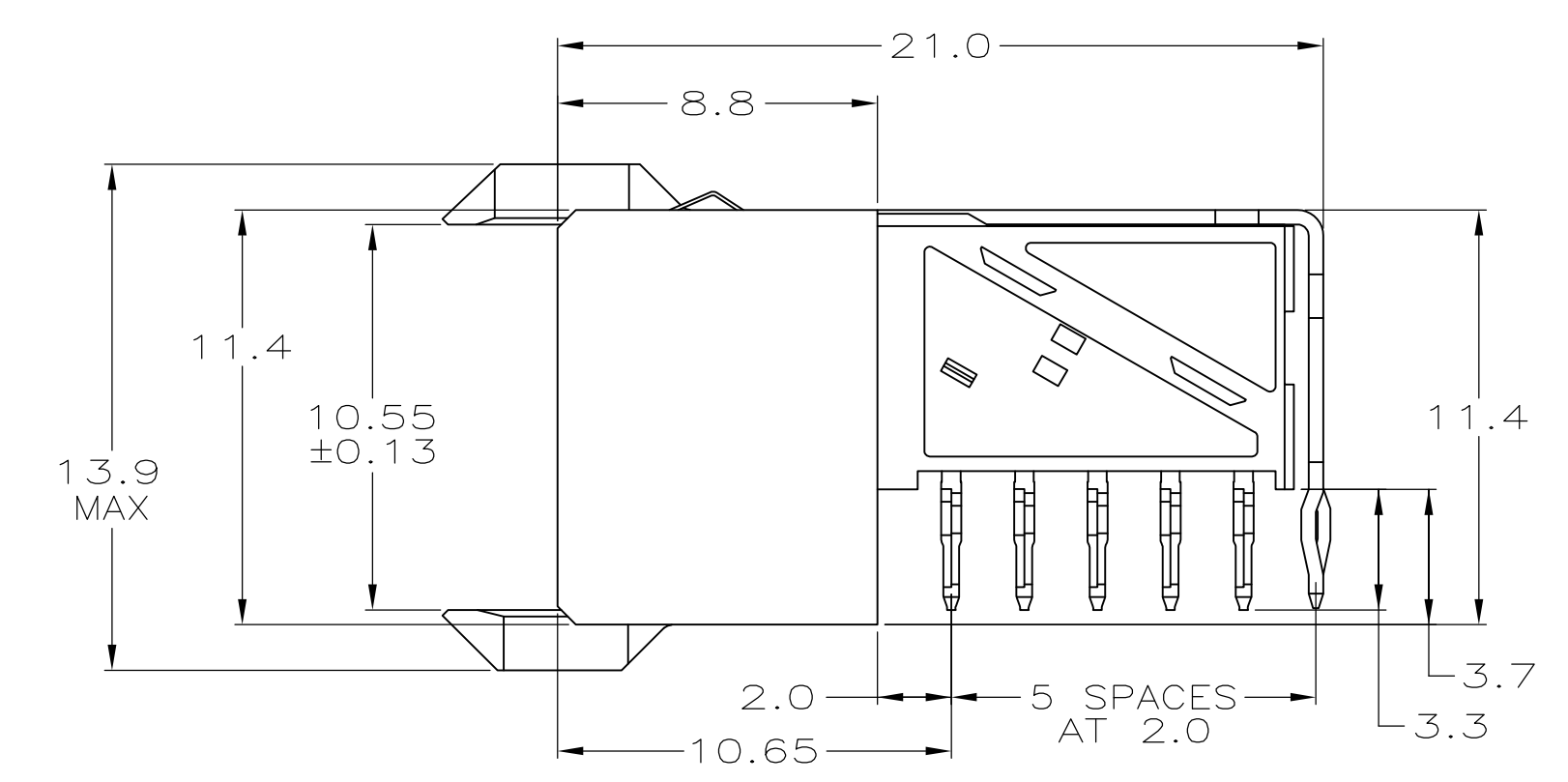
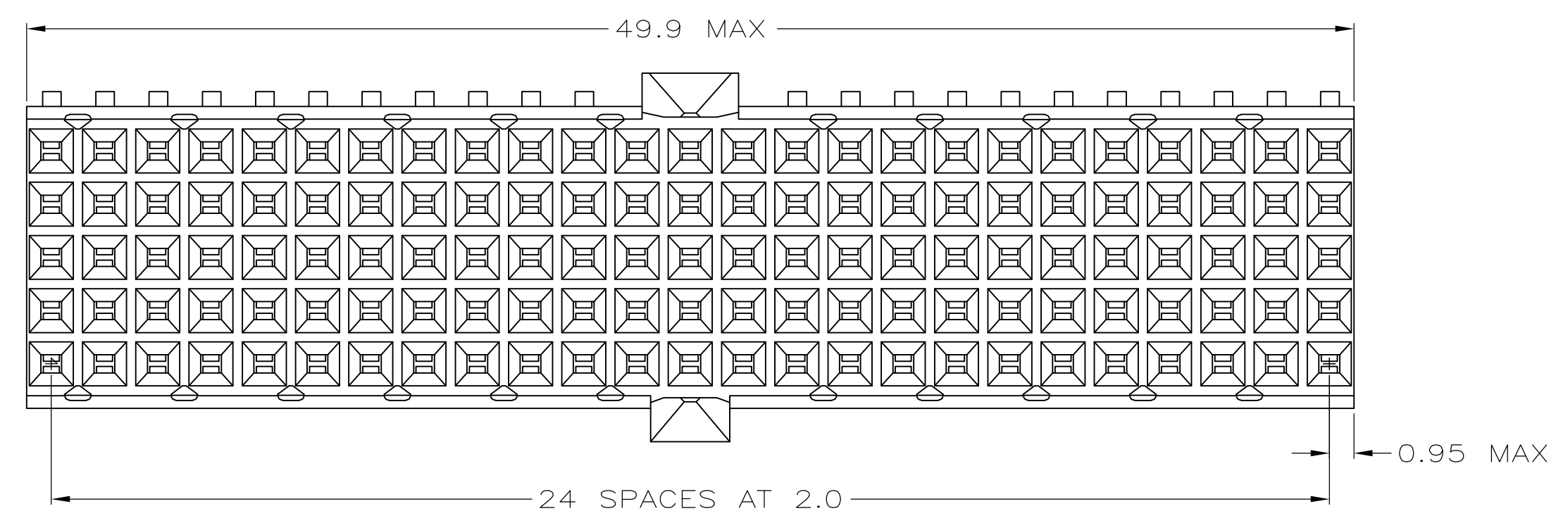


- 1 MATERIAL:
CONTACT: PHOSPHOR BRONZE.
HOUSING: GLASS-FILLED POLYESTER.
- 2 GENERAL PLATING SPECIFICATION: UNDERPLATING (ENTIRE CONTACT): 1.27µm MIN NICKEL AND ACTION PIN: 0.5µm MIN TIN LEAD. FOR PLATING OF MATING SURFACES SEE APPLICABLE SPECIFICATION REFERENCE FOR EACH DASH NUMBER.
- 3 PLATED THROUGH HOLES AT 2mm x 2mm GRID.
- 4 ROW "f" 13 PLATED THROUGH HOLES FOR UPPER SHIELD.
- 5 SHIELD MOUNTED ON CONNECTOR WITH DOUBLE SIDED ADHESIVE TAPE OR ADHESIVE.
- 6 CONNECTOR MARKED WITH PART NUMBER AND DATE CODE.
- 7 1.27µm GOLD PLATING ON MATING SURFACES.
- 8 CONFORMS TO ALL TESTING ACCORDING TO IEC 61076-4-101 PERFORMANCE LEVEL 1.



COMPONENT SIDE AS SHOWN
 RECOMMENDED PCB HOLE LAYOUT

PCB HOLE DIMENSIONS FOR ACTION PIN
 DRILLED HOLE: 0.700±0.025mm
 FINISHED HOLE: 0.55 TO 0.65mm
 CU-THICKNESS: 0.025 TO 0.050mm
 SN/PB-THICKNESS: 0.004 TO 0.010mm

1645579-1
 FINISH PART NUMBER

THIS DRAWING IS A CONTROLLED DOCUMENT.		DIN D. HUMBERT 10/25/2010	Tyco Electronics Corporation Harrisburg, PA 17105-3608
DIMENSIONS: mm		CIK D. YI 10/25/2010	
TOLERANCES UNLESS OTHERWISE SPECIFIED:		APVD D. YI 10/25/2010	NAME
0 PLC ± -			RECEPTACLE ASSEMBLY, Z-PACK
1 PLC ± -			2mm HM, TYPE A/B
2 PLC ± 0.1			PRODUCT SPEC
3 PLC ± -			APPLICATION SPEC
4 PLC ± -			SIZE
ANGLES ± -			CAGE CODE
			DRAWING NO
			RESTRICTED TO
MATERIAL 1	FINISH SEE TABLE	WEIGHT	A1 00779 C=1645579
CUSTOMER DRAWING		SCALE 5:1	SHEET 1 OF 1 REV A

单击下面可查看定价，库存，交付和生命周期等信息

[>>TE Connectivity\(泰科\)](#)