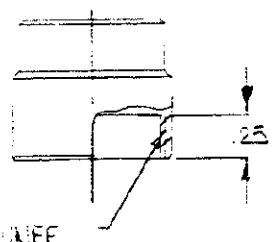


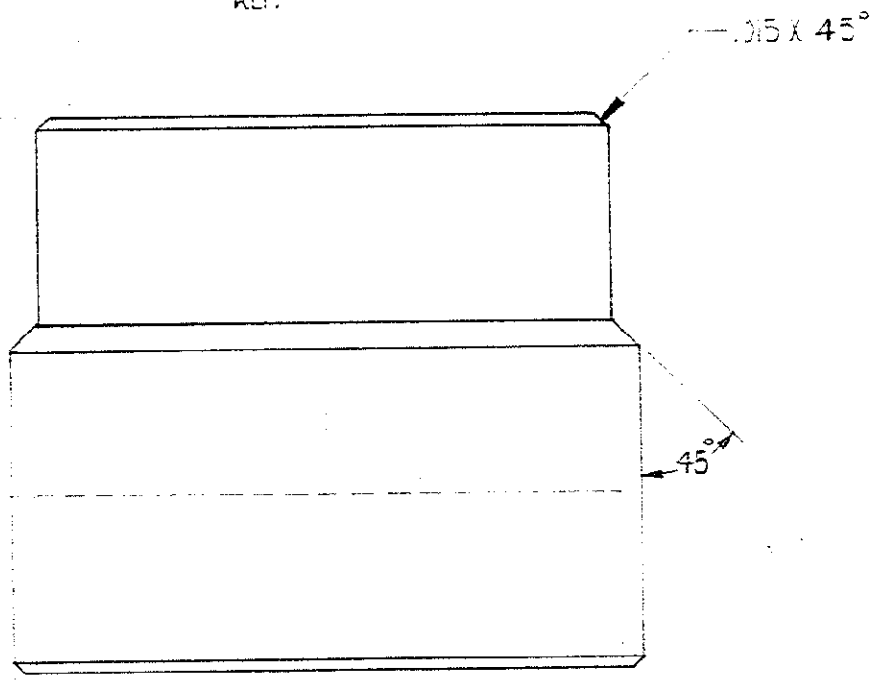
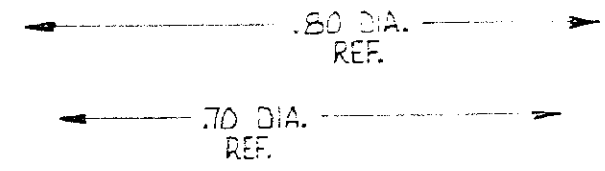
DRAWING MADE IN THIRD ANGLE PROJECTION

© COPYRIGHT 1977 BY AMP INCORPORATED, HARRISBURG, PA. ALL INTERNATIONAL RIGHTS RESERVED. AMP INCORPORATED PRODUCTS COVERED BY U.S. AND FOREIGN PATENTS AND/OR PATENTS PENDING.

REVISIONS			
LTR	DESCRIPTION	DATE	APPROVED
A	ADDED -2	1/24/77	[Signature]



3/16-20 UNF 2B THD.
862544-2 ONLY

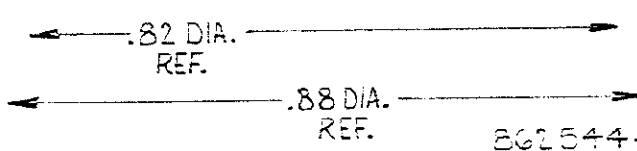


.79 REF.


.46 REF.

.25 REF.

1-2 SAME AS -1 EXCEPT: THREADS



862544-1 AS SHOWN

REV STATUS	REV																								
OF SHEETS	SHEET	1	2	3	4	5	6	7	8	9	10	11	12												
UNLESS OTHERWISE SPECIFIED DIMENSIONS ARE IN INCHES. TOLERANCES: .00 = .000 ± ANGLES =	CONTRACT NO												 AMP INCORPORATED Elizabethtown, Pa.												
	DR DICK STONE 8-16-77																								
	MATERIAL	APPD												NAME											
VALOX 420-SED	APPD												PLUG POTTING SHELL												
FINISH	DSGN APPD												SIZE		CODE IDENT NO		DRAWING NO								
	BLACK	OTHER APPD												A	00779	862544									
												SCALE 4:1				SHEET									

CUSTOMER DRAWING

单击下面可查看定价，库存，交付和生命周期等信息

[>>TE Connectivity\(泰科\)](#)