

| 8                            | 7   | 6   | 5 | 4    | 3 | 2 | 1 |
|------------------------------|-----|---|---|------|---|---|---|
| THIS DRAWING IS UNPUBLISHED. |     | RELEASED FOR PUBLICATION                    |   | 2018 |   |   |   |
| COPYRIGHT 2018 BY -          |     | ALL RIGHTS RESERVED.                        |   |      |   |   |   |
| PART NUMBER                  | REV | DESCRIPTION                                 |   |      |   |   |   |
| 2326072-1                    | B   | APPLICATOR W/ SPECIALIZED TERMINATOR        |   |      |   |   |   |
| 2326072-2                    | B   | APPLICATOR W/ SPECIALIZED TERMINATOR W/ COM |   |      |   |   |   |
| 2326072-3                    | B   | APPLICATOR ONLY                             |   |      |   |   |   |
| 7-2326072-7                  | B   | CRIMP TOOLING KIT                           |   |      |   |   |   |

| APPLICATOR DATA                      |                 |      |
|--------------------------------------|-----------------|------|
| CRIMP                                | SIZE            | TYPE |
| WIRE                                 | 2.794 mm [.110] | F    |
| APPLICATOR INSTRUCTIONS<br>408-35046 |                 |      |

| TERMINAL DATA: TE TERMINAL            |             | TE CRIMP SPECIFICATION    |             |
|---------------------------------------|-------------|---------------------------|-------------|
| TERMINAL NAME: (AMPLIVAR) THRU SPLICE |             |                           |             |
| LEAD WIRE STRIP LENGTH                |             | INSULATION DIAMETER RANGE |             |
| 7.09-8.66mm [.279-.341 IN]            |             |                           |             |
| TERMINAL APPLICATION SPECIFICATION    | 114-2009    |                           |             |
| TERMINALS APPLIED                     |             |                           |             |
| TE TERMINAL                           | TE TERMINAL | TE TERMINAL               | TE TERMINAL |
| 2238122-1                             | 42119-1     | 41899                     | -           |
| -                                     | -           | -                         | -           |
| -                                     | -           | -                         | -           |

| WIRE SIZE      | CRIMP HEIGHT mm [INCH]         | CRIMP HEIGHT REFERENCE SETTING |
|----------------|--------------------------------|--------------------------------|
| 5000 CMA [MAX] | 2.06±0.05mm [.081±.002 IN] REF | 4.1                            |
| 1500 CMA [MIN] | 1.60±0.05mm [.063±.002 IN] REF | 9.2                            |

**\*WARNING**  
ON INSTALLATION, SET WIRE DISC TO CRIMP HEIGHT REFERENCE SETTING FOR LARGEST WIRE SIZE. CRIMP HEIGHT REFERENCE SETTINGS GREATER THAN THE VALUE SHOWN MAY CAUSE DAMAGE TO THE CRIMP TOOLING, REFER TO THE INSTRUCTION SHEET FOR PROPER SETUP AND ADJUSTMENTS.

- RECOMMENDED SPARE PARTS
- REFER TO SUPPLIED INSTRUCTION SHEET FOR CLEANING, LUBRICATION & STORAGE OF APPLICATOR.
- APPLY PART NUMBER 1-23419-5 LOCTITE TO THREADS OF ITEM 248.
- CRIMP HEIGHT REFERENCE SETTING WAS THE SETTING USED WHEN THE APPLICATOR WAS QUALIFIED AT THE FACTORY. ADJUSTMENT MAY BE NECESSARY WHEN RUNNING APPLICATOR IN THE FIELD.
- 5. UNLESS OTHERWISE SPECIFIED TORQUE VALUES SHALL BE USED PER DOCUMENT 101-35000
- ITEM NOT SHOWN
- GREASE BEARING SURFACES LIGHTLY.
- GREASE THREADS AND GROOVE OF ITEM 35 AND O-RING, ITEM 252.
- APPLY GREASE FILLING IN VOIDS/CAVITIES OF DETENT PLATE, ITEM 249.
- MAGNET, ITEM 166, MUST BE ORIENTED CORRECTLY IN ORDER TO PROPERLY ACTUATE THE COUNTER.
- REFER TO TERMINAL CUSTOMER DRAWING FOR CRIMP HEIGHT FORMULA TO CALCULATE SPECIFIC CRIMP HEIGHTS.
- INCLUDE A COPY OF THIS APPLICATOR LOG SHEET WITH THE DOCUMENTATION PACKAGE, ITEM 71.
- TERMINAL LUBRICANT IS RECOMMENDED.

|  |     |     |     |     |     |             |  |         |
|--|-----|-----|-----|-----|-----|-------------|--|---------|
|  | -   | 2   | 2   | 2   | -   | 5018030-2   | NUT, HEX, REG, RoHS, M4                            | 270     |
|  | -   | 2   | 2   | 2   | -   | 1-18028-2   | WASHER, FLAT, REG M4                               | 269     |
|  | -   | 2   | 2   | 2   | -   | 2-2168083-6 | SCR, SKT HD CAP, RoHS M4 X 18.0                    | 268     |
|  | -   | 2   | 2   | 2   | -   | 992342-2    | SCREW, ASSEMBLY, THUMB                             | 267     |
|  | -   | 1   | 1   | 1   | -   | 2373745-1   | BRACKET  | 266     |
|  | -   | 1   | 1   | 1   | -   | 2119955-2   | ASSY, LUBRICATOR                                   | 265     |
|  | -   | -   | 2   | 2   | -   | 23238-1     | INSERT, COUPLING                                   | 264     |
|  | -   | REF | 1   | -   | -   | 2326540-4   | TERMINATOR, 5K CE W/ CQM, MODIFIED, THROUGH SPLICE | 263     |
|  | -   | -   | 457 | 457 | -   | 2030758-3   | TUBING, POLYURETHANE                               | 262     |
|  | -   | REF | -   | -   | -   | 2325998-1   | GUARD INSERT, THROUGH SPLICE                       | 261     |
|  | -   | REF | -   | 1   | -   | 2326540-2   | TERMINATOR, 5K CE, MODIFIED, THROUGH SPLICE        | 260     |
|  | -   | 1   | 1   | 1   | -   | 8-21084-0   | O-RING, .676 ID, .070 DIA. MAT.                    | 252     |
|  | -   | 3   | 3   | 3   | -   | 1-1655784-6 | SCR, FLT SKT HD CAP, M3 X 6                        | 250     |
|  | -   | 1   | 1   | 1   | -   | 2844969-1   | DETENT PLATE                                       | 249     |
|  | -   | 1   | 1   | 1   | -   | 7-1655316-0 | SCR, SKT HD CAP, M8 X 25.0                         | 248     |
|  | -77 | -3  | -2  | -1  | U/M | PART NO     | DESCRIPTION  | ITEM NO |

|  |     |     |     |     |     |             |                                       |         |
|--|-----|-----|-----|-----|-----|-------------|---------------------------------------|---------|
|  | -   | 1   | 1   | 1   | -   | 2844970-1   | DETENT PIN                            | 247     |
|  | -   | 1   | 1   | 1   | -   | 2-22279-6   | SPRING, COMPRESSION                   | 246     |
|  | -   | 2   | 2   | 2   | -   | 21045-3     | RING, RETAIN, EXTERN, 3/16 CRESCENT   | 172     |
|  | -   | 1   | 1   | 1   | -   | 994969-1    | MAGNET, RARE EARTH, HIGH ENERGY       | 166     |
|  | -   | REF | REF | REF | -   | 994970-2    | COUNTER, MAGNETIC                     | 164     |
|  | -   | 1   | 1   | 1   | -   | 240638-1    | SPRING, FEED FINGER                   | 163     |
|  | -   | 1   | 1   | 1   | -   | 2305752-1   | FEED ARM                              | 142     |
|  | -   | 1   | 1   | 1   | -   | 3-23627-7   | PIN, RETAIN, GRVD, 3/16 X .854        | 137     |
|  | -   | 1   | 1   | 1   | -   | 2280548-1   | HOLDER, FEED FINGER                   | 136     |
|  | -   | 4   | 4   | 4   | -   | 2079160-3   | SPRING PLUNGER, M4                    | 115     |
|  | -   | 4   | 4   | 4   | -   | 2079844-1   | SPRING PLUNGER, M4                    | 110     |
|  | -   | 1   | 1   | 1   | -   | 2217397-1   | WHEEL, ADJUST                         | 109     |
|  | -   | 2   | 2   | 2   | -   | 992976-7    | VALVE, SPEED CONTROLLER               | 108     |
|  | -   | 1   | 1   | 1   | -   | 2119454-1   | KNOB, FEED ADJUST                     | 106     |
|  | -   | 1   | 1   | 1   | -   | 2280501-1   | GUIDE, FEED ARM                       | 105     |
|  | -   | 1   | 1   | 1   | -   | 2256823-2   | CYLINDER, AIR, DOUBLE ACTING, COMPACT | 103     |
|  | -   | 2   | 2   | 2   | -   | 2280416-1   | ROD END, CYLINDER                     | 102     |
|  | -   | 8   | 8   | 8   | -   | 2-18023-3   | SCR, SKT HD CAP M5 X 30.0             | 101     |
|  | -   | 1   | 1   | 1   | -   | 992946-2    | PIN, DOWEL 3 X 16                     | 100     |
|  | -   | 1   | 1   | 1   | -   | 3-18031-7   | SCR, SET, CUP POINT M6 X 4.0          | 99      |
|  | -   | 1   | 1   | 1   | -   | 2-22279-9   | SPRING, COMPRESSION                   | 98      |
|  | -   | 1   | 1   | 1   | -   | 2280506-2   | LEVER, TERMINAL SUPPORT               | 97      |
|  | -   | 1   | 1   | 1   | -   | 5-1655316-4 | SCR, SKT HD CAP, M5 X 12.0            | 96      |
|  | -   | 5   | 5   | 5   | -   | 2-2168083-0 | SCR, SKT HD CAP, RoHS, M5 X 12        | 95      |
|  | -   | 1   | 1   | 1   | -   | 2305749-1   | MOUNT, TERMINAL SUPPORT LEVER         | 94      |
|  | -   | 1   | 1   | 1   | -   | 2305715-2   | GUIDE, TERMINAL TRANSFER              | 85      |
|  | -   | 1   | 1   | 1   | -   | 2305714-2   | GUIDE, TERMINAL TRANSFER              | 84      |
|  | -   | 1   | 1   | 1   | -   | 6-1655316-0 | SCR, SKT HD CAP, M5 X 40.0            | 82      |
|  | -   | 1   | 1   | 1   | -   | 1-22281-8   | SPRING, COMPRESSION                   | 81      |
|  | -   | 1   | 1   | 1   | -   | 2326541-1   | DOCUMENTATION PACKAGE                 | 71      |
|  | -   | 1   | 1   | 1   | -   | 2119740-1   | TAG, IDENTIFICATION                   | 67      |
|  | -   | 2   | 2   | 2   | -   | 2168078-1   | SCREW, DRIVE, RH, RoHS, 2 x .188      | 66      |
|  | -   | 1   | 1   | 1   | -   | 5-18022-5   | SCR, HEX HD CAP, M4 X 6.0             | 59      |
|  | -   | 1   | 1   | 1   | -   | 2280106-1   | FINGER, FEED                          | 56      |
|  | -   | 1   | 1   | 1   | -   | 1-18028-2   | WASHER, FLAT, REG M4                  | 55      |
|  | -   | 8   | 8   | 8   | -   | 2168400-4   | SHCS, LOW HEAD, RoHS, M4 X 8          | 54      |
|  | -   | 1   | 1   | 1   | -   | 2280396-1   | RETAINER, UPPER TOOLING               | 52      |
|  | -   | 2   | 2   | 2   | -   | 5-22280-5   | SPRING, COMPRESSION                   | 50      |
|  | -   | 1   | 1   | 1   | -   | 4-2119656-0 | APPLICATOR BASIC ASSEMBLY, SF         | 46      |
|  | -   | 1   | 1   | 1   | -   | 2326441-1   | RAM, ATLANTIC STYLE, INVERTED SPLICE  | 44      |
|  | -   | 3   | 3   | 3   | -   | 2168083-2   | SCR, SKT HD CAP, RoHS, M4 X 8.0       | 41      |
|  | -   | 1   | 1   | 1   | -   | 2844968-1   | DISC, NUMBERED FA WIRE ADJUSTMENT     | 40      |
|  | -   | 2   | 2   | 2   | -   | 1-18032-2   | SCR, SET, FLT PNT, M8 X 8.0           | 39      |
|  | -   | 2   | 2   | 2   | -   | 1655316-9   | SCR, SKT HD CAP, M2.5 X 12.0          | 38      |
|  | -   | 1   | 1   | 1   | -   | 2844967-1   | FA HEAD, ATLANTIC STYLE               | 37      |
|  | -   | 1   | 1   | 1   | -   | 2844971-1   | BOLT, ADJUSTMENT                      | 35      |
|  | -   | 2   | 2   | 2   | -   | 2280415-1   | MOUNT, CYLINDER                       | 32      |
|  | -   | 1   | 1   | 1   | -   | 2305748-1   | MOUNT, STRIP GUIDE                    | 30      |
|  | -   | 2   | 2   | 2   | -   | 18032-7     | SCR, SET, FLT PNT, M5 X 12.0          | 29      |
|  | -   | 2   | 2   | 2   | -   | 2-18032-5   | SCR, SET, FLT PNT, M5 X 20.0          | 28      |
|  | -   | 2   | 2   | 2   | -   | 22283-1     | SPRING, COMPRESSION                   | 27      |
|  | -   | 1   | 1   | 1   | -   | 2280503-1   | LEVER, DRAG RELEASE                   | 26      |
|  | -   | 1   | 1   | 1   | -   | 2280502-9   | DRAG, TERMINAL                        | 25      |
|  | -   | 1   | 1   | 1   | -   | 2305713-1   | STRIP GUIDE, TERMINAL                 | 24      |
|  | -   | 1   | 1   | 1   | -   | 980371-4    | SCR, SKT HD SHLDR 5.0 DIA X 6.0       | 23      |
|  | -   | 1   | 1   | 1   | -   | 2326074-1   | SHEAR BLADE                           | 9       |
|  | 1   | 1   | 1   | 1   | -   | 2373761-1   | DRIVE BAR                             | 8       |
|  | 1   | 1   | 1   | 1   | -   | 2326076-7   | CRIMPER                               | 1       |
|  | -77 | -3  | -2  | -1  | U/M | PART NO     | DESCRIPTION                           | ITEM NO |

THIS DRAWING IS A CONTROLLED DOCUMENT.

OWN: B. WEAVER 23JUL2018  
 CHG: T. BACKENSTOES 23JUL2018  
 APVD: T. BACKENSTOES 23JUL2018

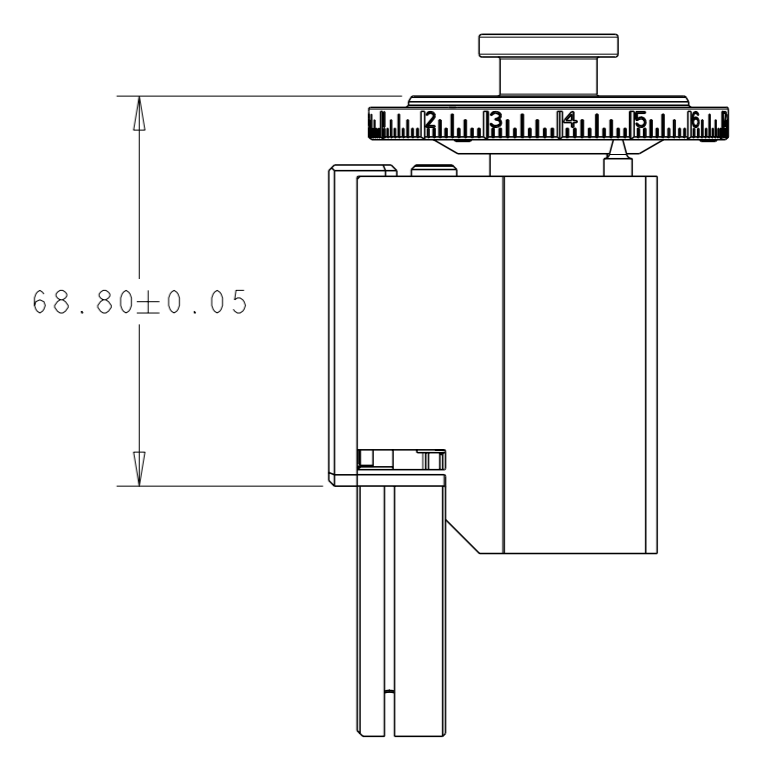
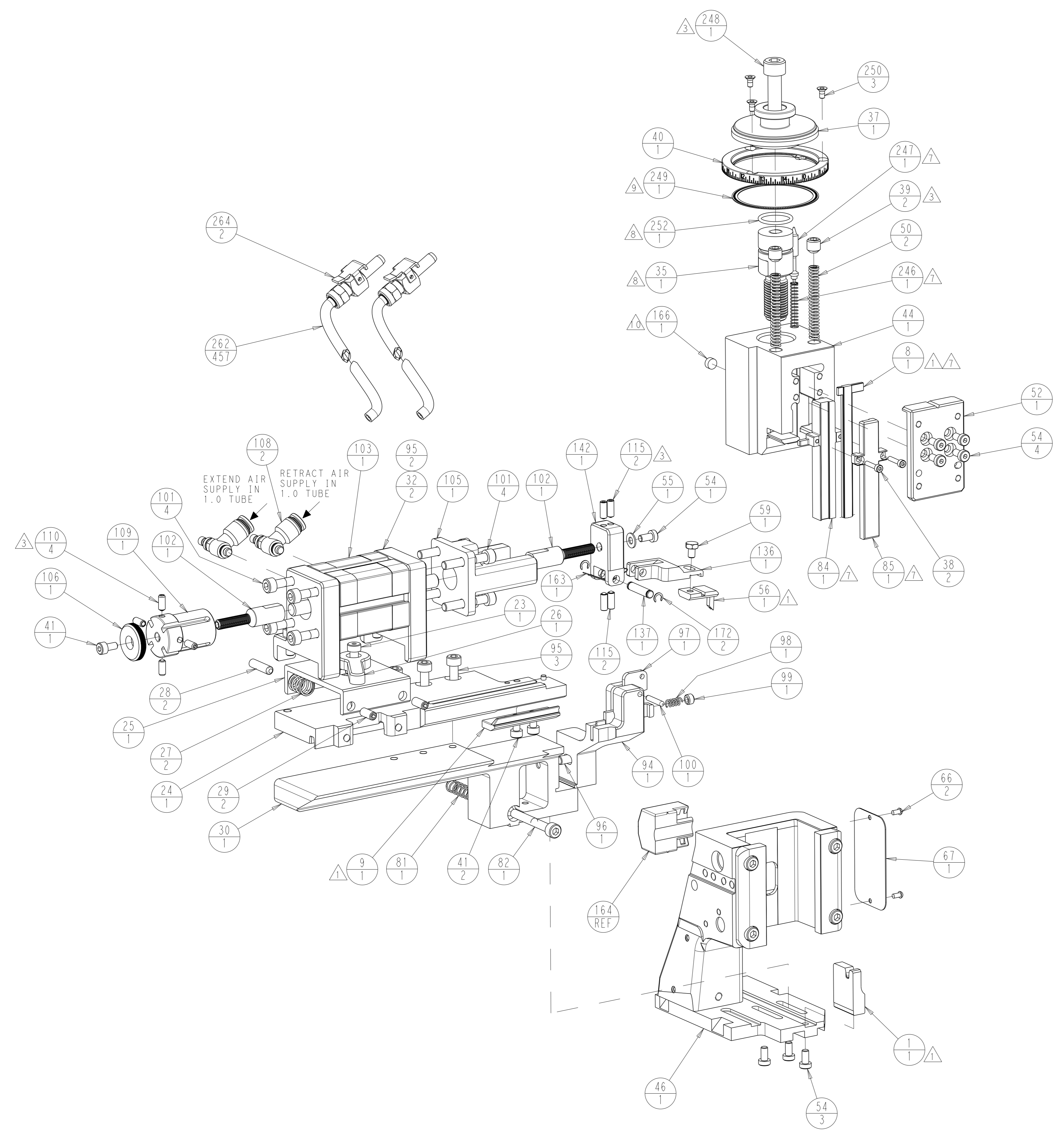
TE Connectivity

OCEAN INVERTED THROUGH SPLICE APPLICATOR

SIZE: A1 CAGE CODE: 00779 DRAWING NO: 2326072 RESTRICTED TO: -  
 SCALE: 3:4 SHEET: 1 OF 2 REV: B

CUSTOMER ACCESSIBLE PRODUCTION DRAWING

| REVISIONS |     |             |      |     |
|-----------|-----|-------------|------|-----|
| P         | LY# | DESCRIPTION | DATE | OWN |
| -         | -   | SEE SHEET 1 | -    | -   |
|           |     |             |      |     |
|           |     |             |      |     |



RAM FINE ADJUST SETUP

|  |   |                                |  |       |   |       |   |       |   |       |   |                 |                  |
|--|---|--------------------------------|--|-------|---|-------|---|-------|---|-------|---|-----------------|------------------|
| THIS DRAWING IS A CONTROLLED DOCUMENT.   |   | OWN: B. WEAVER 23JUL2018       | TE Connectivity                                |       |   |       |   |       |   |       |   |                 |                  |
| DIMENSIONS: mm   |   | CHK: T. BACKENSTOES 23JUL2018  |  |       |   |       |   |       |   |       |   |                 |                  |
| TOLERANCES UNLESS OTHERWISE SPECIFIED:   |   | APVD: T. BACKENSTOES 23JUL2018 | NAME: OCEAN INVERTED THROUGH SPLICE APPLICATOR |       |   |       |   |       |   |       |   |                 |                  |
| <table border="1"> <tr> <td>0 PLC</td> <td>±</td> </tr> <tr> <td>1 PLC</td> <td>±</td> </tr> <tr> <td>2 PLC</td> <td>±</td> </tr> <tr> <td>3 PLC</td> <td>±</td> </tr> <tr> <td>4 PLC</td> <td>±</td> </tr> </table> |   | 0 PLC                          | ±  | 1 PLC | ± | 2 PLC | ± | 3 PLC | ± | 4 PLC | ± | PRODUCT SPEC: - | RESTRICTED TO: - |
| 0 PLC  | ± |                                |  |       |   |       |   |       |   |       |   |                 |                  |
| 1 PLC  | ± |                                |  |       |   |       |   |       |   |       |   |                 |                  |
| 2 PLC  | ± |                                |  |       |   |       |   |       |   |       |   |                 |                  |
| 3 PLC  | ± |                                |  |       |   |       |   |       |   |       |   |                 |                  |
| 4 PLC  | ± |                                |  |       |   |       |   |       |   |       |   |                 |                  |
| MATERIAL: -  |   | APPLICATION SPEC: -            | SIZE: A1                                       |       |   |       |   |       |   |       |   |                 |                  |
| FINISH: -  |   | WEIGHT: -                      | CAGE CODE: 100779                              |       |   |       |   |       |   |       |   |                 |                  |
| CUSTOMER ACCESSIBLE PRODUCTION DRAWING   |   | SCALE: 3:4                     | SHEET 2 OF 2                                   |       |   |       |   |       |   |       |   |                 |                  |

单击下面可查看定价，库存，交付和生命周期等信息

[>>TE Connectivity\(泰科\)](#)