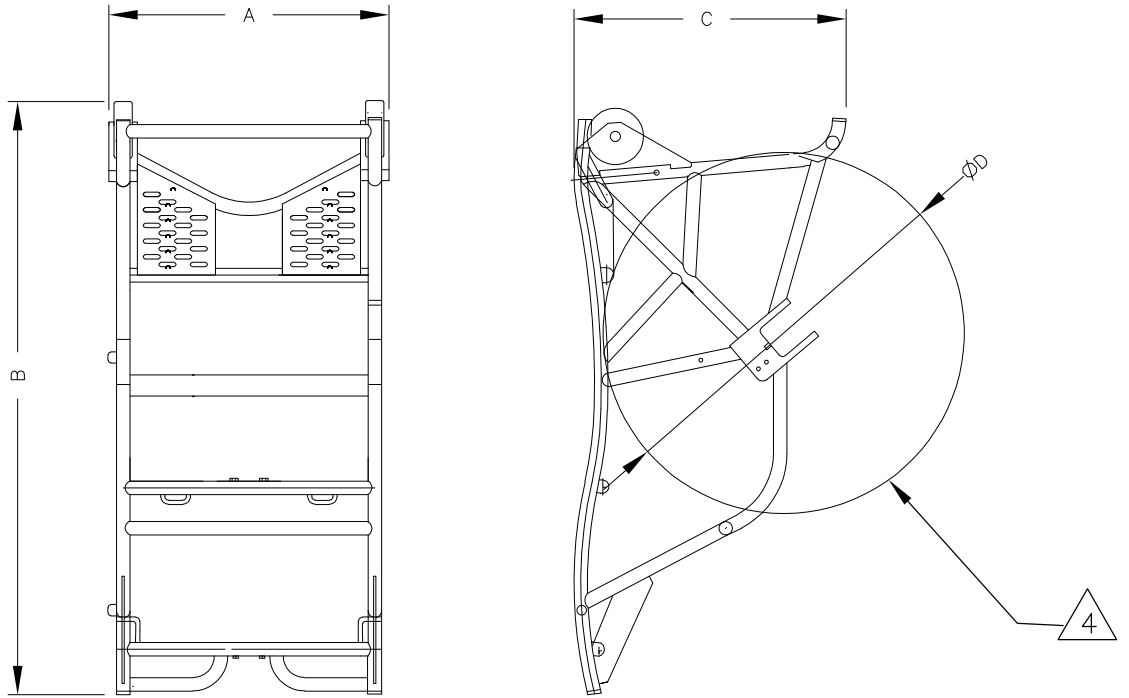


LOC CE	DIST 16	REVISIONS			
P	LTR	DESCRIPTION	DATE	DWN	APVD
	B	ECR-10-014084	01JUL10	KG	JB



TE P/N	A	B	C	MAX REEL DIA D	APPROXIMATE WEIGHT (kg)
1754516-1	395.0	836.9	310.5	370.0	6.08
1754516-2	395.0	836.9	363.3	470.0	6.25
1754516-3	395.0	836.9	384.1	510.0	6.50


- DIMENSIONS ARE FOR REFERENCE ONLY.
- △ FRAME MATERIAL: ALUMINUM 6061-76.
- △ FINISH: POLYESTER EPOXY, COLOR RAL 6006.
- △ REEL SHOWN FOR REFERENCE ONLY, NOT SUPPLIED.
- SEE PAGE 2 FOR LIST OF REPLACEABLE ACCESSORIES SUPPLIED WITH THIS ASSEMBLY. ACCESSORIES NOT SHOWN ABOVE.

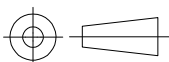
RELEASED FOR PUBLICATION

ALL RIGHTS RESERVED.

THIS DRAWING IS UNPUBLISHED.

By -  
COPYRIGHT -

DIMENSIONS: mm	DWN K. GLATFELTER 23MAR2005	MATERIAL △ 2 -	FINISH △ 3 -		
	CHK J. SHIPE 08MAY2005	 TE Connectivity			
TOLERANCES UNLESS OTHERWISE SPECIFIED:	APVD D. BAECHTLE 08MAY2005			NAME BACKPACK ASSEMBLY FOR CABLE REEL	
0 PLC ± -	PRODUCT SPEC	SIZE	CAGE CODE	DRAWING NO	RESTRICTED TO
1 PLC ± -	—	A4	00779	① 1754516	—
2 PLC ± -	APPLICATION SPEC	WEIGHT		—	
3 PLC ± -	—	CUSTOMER DRAWING		SCALE	NTS
4 PLC ± -	—	SCALE		SHEET	1 OF 2
ANGLES ± -	—	SCALE		REV	B



LOC	DIST	REVISIONS					
CE	16	P	LTR	DESCRIPTION	DATE	DWN	APVD
			-	SEE SHEET 1	-	-	-

REPLACEABLE ACCESSORIES FOR BACK PACK ASSEMBLY


PART NUMBER	DESCRIPTION	QTY SUPPLIED WITH ASSEMBLY
1938549-1	CRANK HANDLE	1
1938550-1	HANDLING AND PROTECTION BLANKET FOR CABLE	1
1938551-1	CONNECTOR PROTECTION BELT	2
1938552-1	UTILITY POUCH	1
1938553-1	LOWER BACK PILLOW	1
1938554-1	HIP PILLOW	1
1938555-1	UPPER BACK SUPPORT PILLOW	1
1938556-1	SHOULDER PAD LEFT	1
1938556-2	SHOULDER PAD RIGHT	1

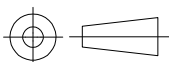
RELEASED FOR PUBLICATION

ALL RIGHTS RESERVED.

THIS DRAWING IS UNPUBLISHED.

By -  
COPYRIGHT -

DIMENSIONS: mm  TOLERANCES UNLESS OTHERWISE SPECIFIED: 0 PLC ± - 1 PLC ± - 2 PLC ± - 3 PLC ± - 4 PLC ± - ANGLES ± -	DWN K. GLATFELTER 01JUL2010	MATERIAL -	FINISH -			
	CHK J.BARRY 01JUL2010	 TE Connectivity				
	APVD J.BARRY 01JUL2010					
	PRODUCT SPEC -	NAME BACKPACK ASSEMBLY FOR CABLE REEL				
APPLICATION SPEC -	SIZE A4	CAGE CODE 00779	DRAWING NO C-1754516	RESTRICTED TO -		
WEIGHT -	CUSTOMER DRAWING			SCALE NTS	SHEET 2 OF 2	REV B



单击下面可查看定价，库存，交付和生命周期等信息

[>>TE Connectivity\(泰科\)](#)