

4

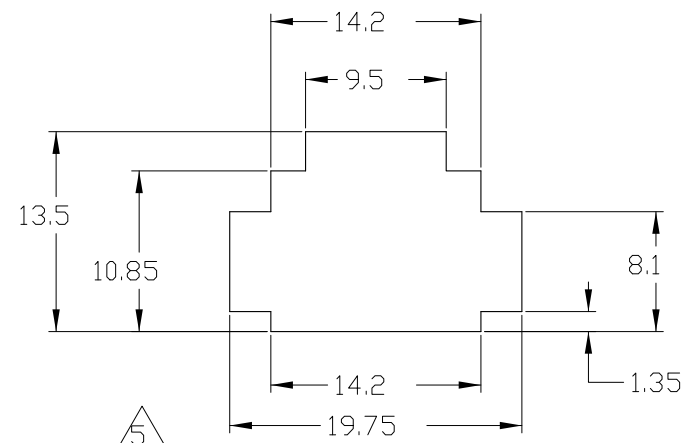
3

2

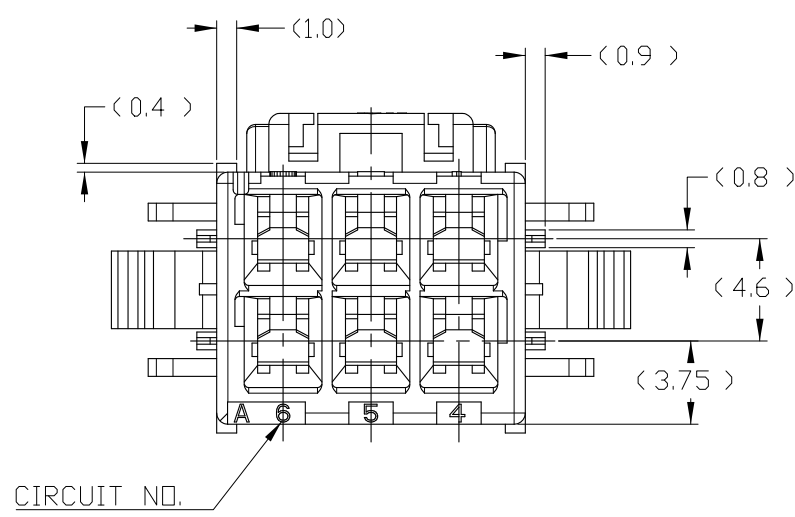
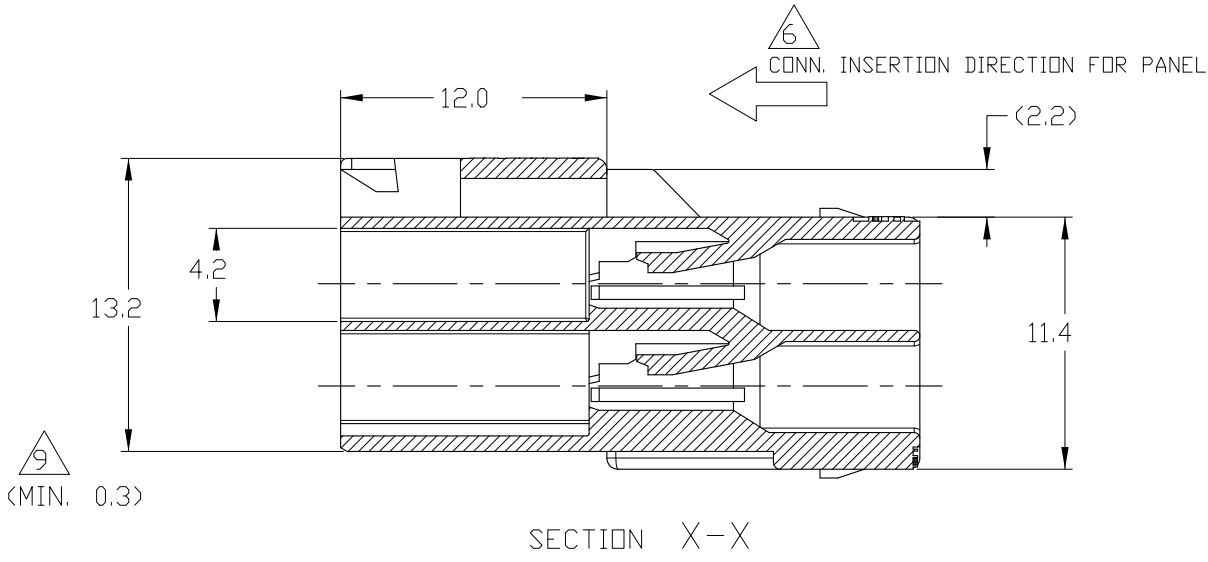
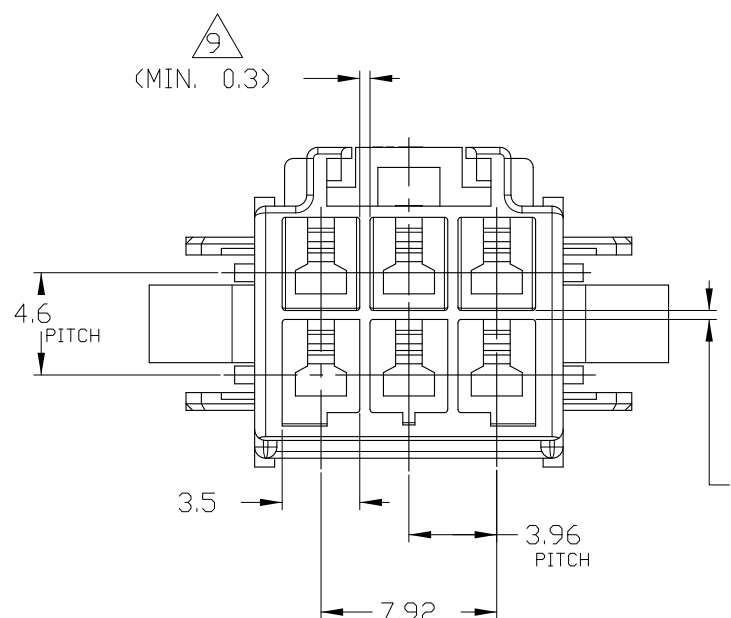
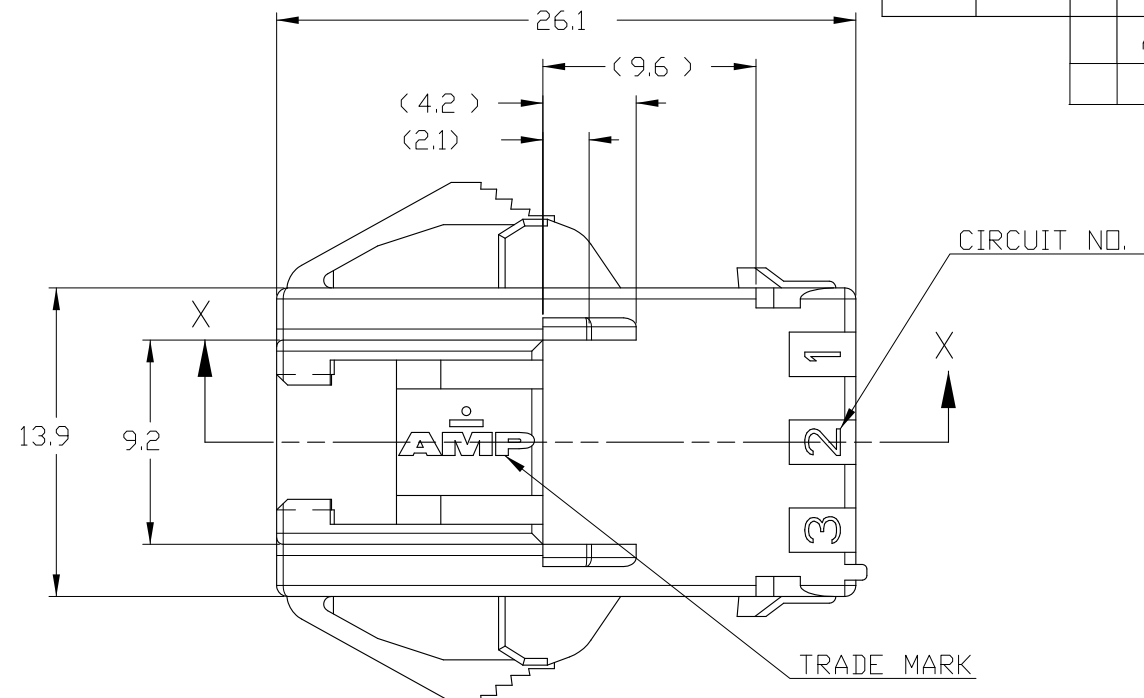
1

THIS DRAWING IS UNPUBLISHED. RELEASED FOR PUBLICATION 20  
 © COPYRIGHT 20 BY TYCO ELECTRONICS CORPORATION. ALL RIGHTS RESERVED.

LOC	DIST	REVISIONS			
P	LTR	DESCRIPTION	DATE	DWN	APVD
DS	-				
	A	RELEASED	14.MAR'07	SC	JK
	B	REVISED (ECR-09-011788)	25.MAY'09	SC	JK



(FIG 1.) RECOMMENDED PANEL OPENING DIMENSION  
TOLERANCES: ±0.15



- NOTE;
- APPLICABLE CONTACT P/N  
 -TAB CONTACT: 177917- □(AWG#16-#20)  
 177916- □(AWG#22-#26)
  - MATING CONN. P/N  
 -PLUG HSG: 368576- □  
 -REC CONTACT: 177915- □(AWG#16-#20)  
 177914- □(AWG#22-#26)
  - APPLICABLE DOUBLE LOCK PLATE: 177919-1  
 \*IT SHOULD BE USED CERTAINLY WHEN CABLE ASS'Y
  - GENERAL TOLERANCES: ±0.3
  - APPLICABLE PANEL THICKNESS: 0.8~2.0 (SEE FIG 1.)
  - INSERT CONN. FROM PRESS DIRECTION SIDE FOR METAL PANEL.
  - EDGE OF THICKNESS MAY MUST DOT ROUND FOR MOLDED PANEL.
  - ACCORDING TO IEC 60335-1 4.2 EDITION  
 -PART MEETS GWT 750° & 850°C.  
 -MATERIAL MEETS BALL PRESSURE TESTING AT 125°C.  
 -MATERIAL HAS CTI VALUE OF 250V.
  - MIN. THICKNESS OF INSULATING WALL

(B)	368588-6	BLUE
(B)	368588-4	YELLOW
(B)	368588-1	NATURAL
	P/N	COLOR

THIS DRAWING IS A CONTROLLED DOCUMENT FOR TYCO ELECTRONICS CORPORATION IT IS SUBJECT TO CHANGE AND THE CONTROLLING ENGINEERING ORGANIZATION SHOULD BE CONTACTED FOR THE LATEST REVISION.		DWN SC KIM	AMP KOREA Kyungsan, Korea	
DIMENSIONS: mm		CHK BW KANG		
TOLERANCES UNLESS OTHERWISE SPECIFIED:		APVD JK SONG	NAME	
0 PLC ±- 1 PLC ±0.3 2 PLC ±0.10 3 PLC ±0.001 4 PLC ±0.0001 ANGLES ±-		PRODUCT SPEC 108-61106	PDL 6P CAP HSG 3.96mm D/R P/M (GWT)	
MATERIAL (B) PA66(UL94V-0)		FINISH -	APPLICATION SPEC -	RESTRICTED TO
		WEIGHT -	SIZE A3	CAGE CODE 00779
		CUSTOMER DRAWING	DRAWING NO. 368588	REV B
		SCALE #	SHEET 1	OF 1

单击下面可查看定价，库存，交付和生命周期等信息

[>>TE Connectivity\(泰科\)](#)