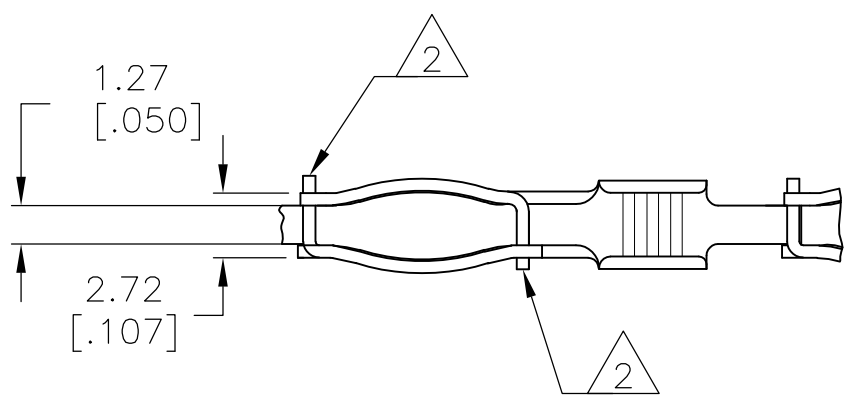
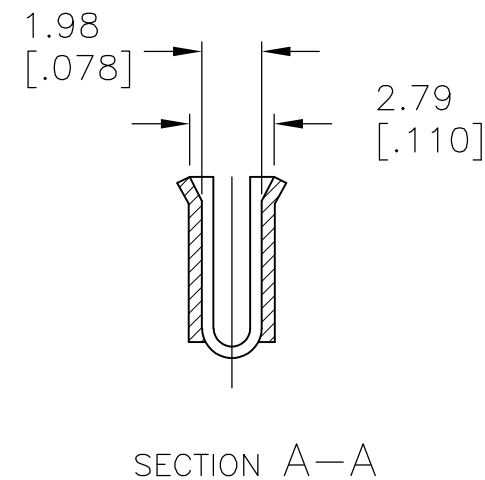
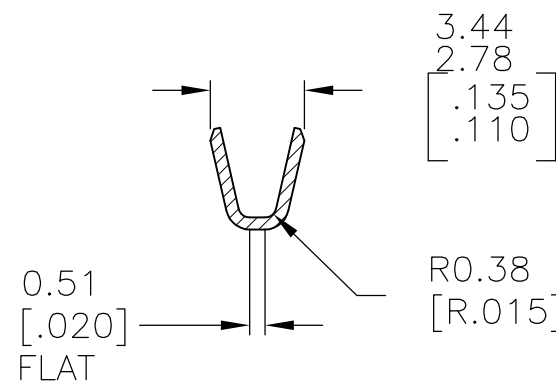
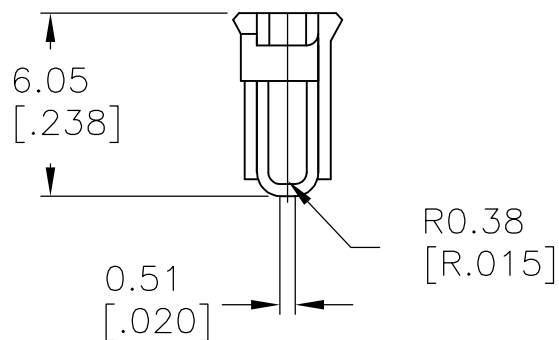
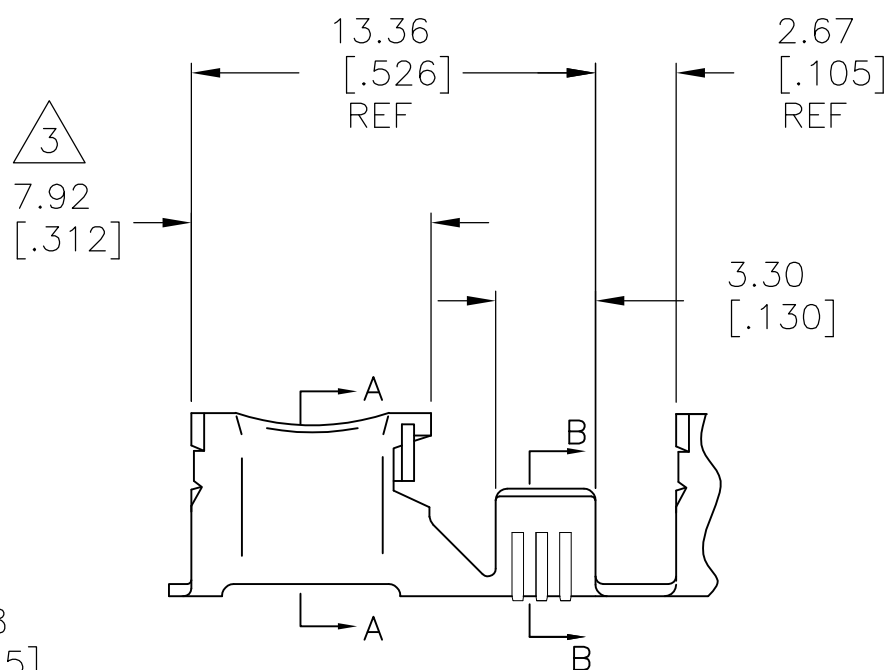


THIS DRAWING IS UNPUBLISHED. RELEASED FOR PUBLICATION
 © COPYRIGHT BY TYCO ELECTRONICS CORPORATION. ALL RIGHTS RESERVED.

LOC	DIST	REVISIONS			
P	LTR	DESCRIPTION	DATE	DWN	APVD
AF	50	J1	REVISED PER ECR-07-031139	20FEB08	HMR GP



- 1 .015 MAX. CUT OFF TAB PERMITTED BOTH ENDS.
- 2 LOCKING TAB MUST BE FULLY LATCHED WITH ENTIRE STOCK THICKNESS OF TAB WITHIN THE LOCK
- 3 INCLUDING ENDS OF LOCKING TABS.
- 4 ACCEPTS .090 ± .002 DIA PIN.
- 5 WIRE RANGE : 16-20 AWG



OBSOLETE	MATTE TIN	.016 BRASS	505002-2
		.016 BRASS	505002-1
	FINISH	MATERIAL	PART NO

THIS DRAWING IS A CONTROLLED DOCUMENT.		DWN RAGHAVENDRA 20FEB2008	Tyco Electronics Corporation Harrisburg, PA 17105-3608	
DIMENSIONS: mm [INCHES]	TOLERANCES UNLESS OTHERWISE SPECIFIED:	CHK GARY PORTA 20FEB2008	NAME	
	0 PLC ± -	APVD GARY PORTA 20FEB2008	RECEPTACLE, PIN, .090 DIA	
	1 PLC ± -	PRODUCT SPEC	SIZE	CAGE CODE
	2 PLC ± 0.38 [.015]	APPLICATION SPEC	A3	00779
	3 PLC ± -	WEIGHT	DRAWING NO	
	4 PLC ± -		G-505002	
	ANGLES ± -		RESTRICTED TO	
MATERIAL SEE TABLE	FINISH SEE TABLE	CUSTOMER DRAWING		SCALE 4:1
		SHEET 1 OF 1		REV J1

单击下面可查看定价，库存，交付和生命周期等信息

[>>TE Connectivity\(泰科\)](#)