

4

3

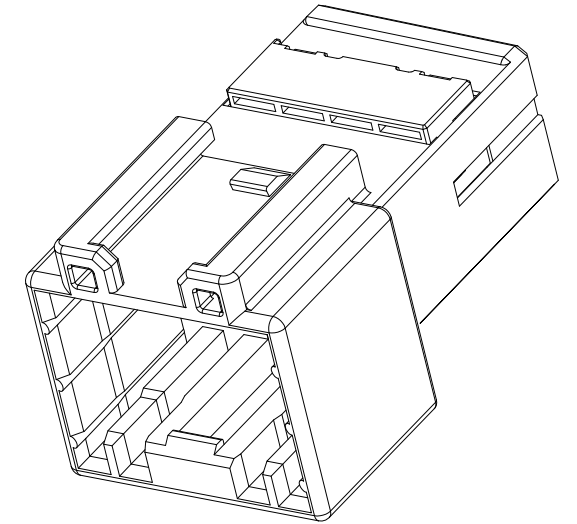
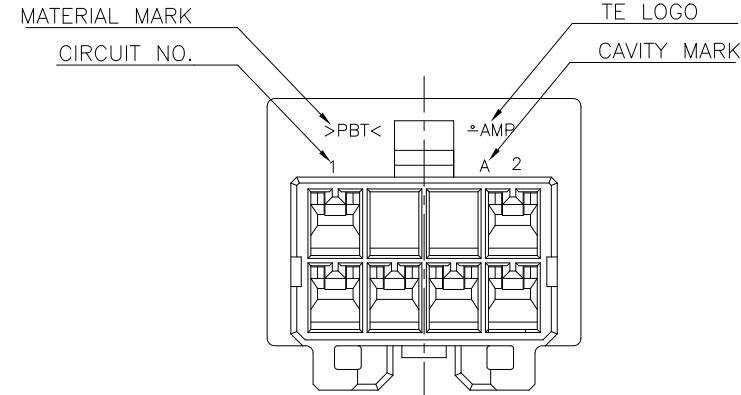
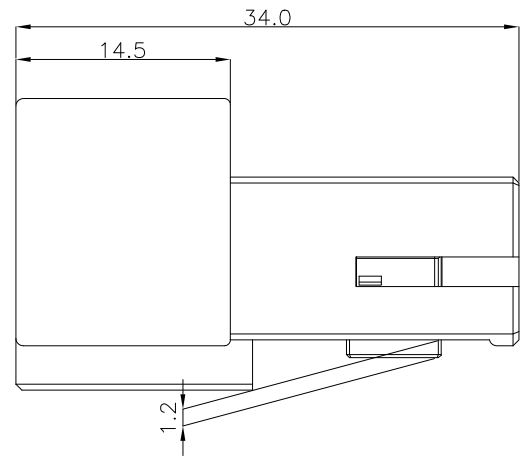
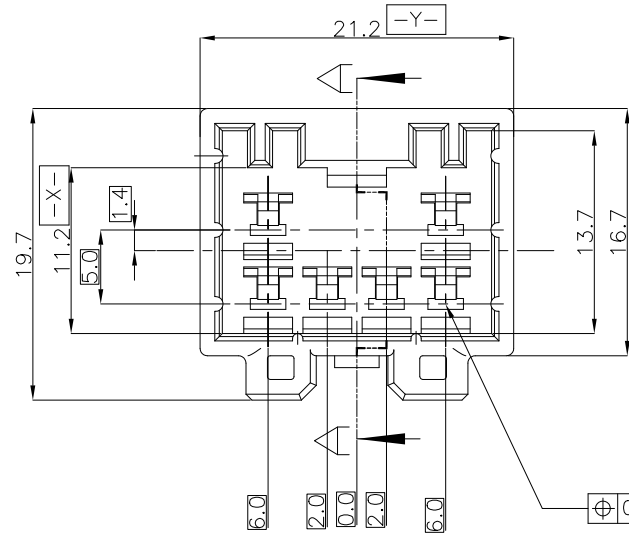
2

1

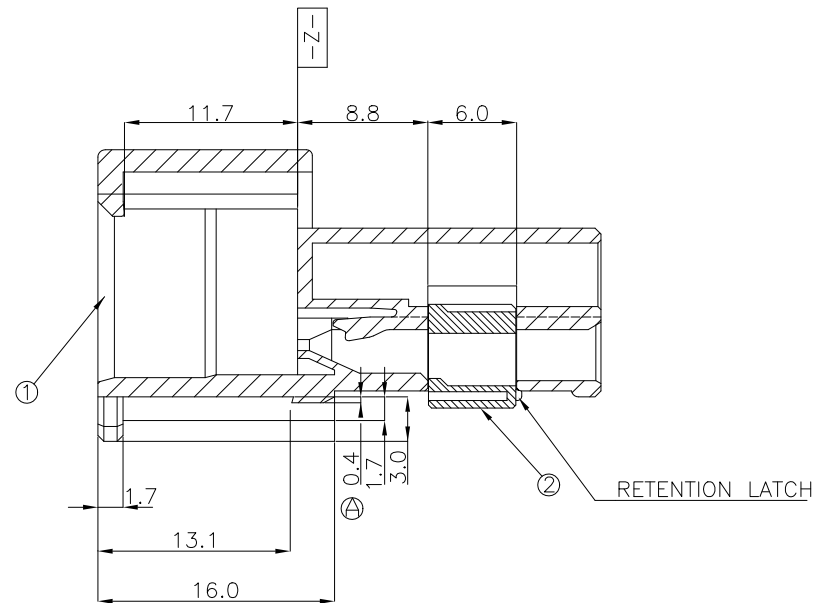
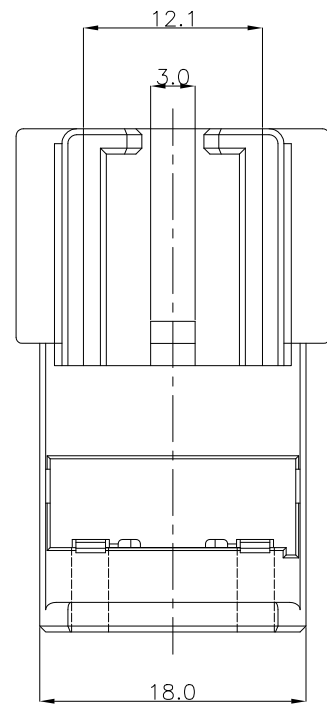
THIS DRAWING IS UNPUBLISHED. RELEASED FOR PUBLICATION

© COPYRIGHT BY TYCO ELECTRONICS CORPORATION, ALL RIGHTS RESERVED.

LOC	DIST	REVISIONS					
		P	LTR	DESCRIPTION	DATE	DWN	APVD
DS	-	C		REVISED (ECR-08-015583)	20.JUN.'08	KT	HG
		C1		REVISED (ECR-09-005035)	24.MAR.'09	KT	HG



3D VIEW



SECTION A-A

NOTES.

- THE MATING HSG. P/N ; 936268
- APPLIED CONTACT P/N ; 090 II TAB.- 368086, 368087, 368088, 1897752

-주기-

- 상대 하우징 P/N. ; 936268
- 적용단자 P/N. : 090 II TAB.- 368086, 368087, 368088, 1897752

ASSY P/N
0-936271-8
0-936271-7
0-936271-6
0-936271-5
0-936271-4
0-936271-3
0-936271-2
0-936271-1

NO	COLOR	MATERIAL	DESCRIPTION	P/N	QTY
1	BLUE	PBT	PLUG	0-936272-8	1
	GREEN	PBT	PLUG	0-936272-7	1
	RED	PBT	PLUG	0-936272-6	
	YELLOW	PBT	PLUG	0-936272-5	1
	BROWN	PBT	PLUG	0-936272-4	1
	D/GRAY	PBT	PLUG	0-936272-3	1
	BLACK	PBT	PLUG	0-936272-2	1
	NATURAL	PBT	PLUG	0-936272-1	1
2	NATURAL	PBT	DBL	0-936270-1	1 1 1 1 1 1 1 1

THIS DRAWING IS A CONTROLLED DOCUMENT FOR TYCO ELECTRONICS CORPORATION IT IS SUBJECT TO CHANGE AND THE CONTROLLING ENGINEERING ORGANIZATION SHOULD BE CONTACTED FOR THE LATEST REVISION.

DIMENSIONS: MM	TOLERANCES UNLESS OTHERWISE SPECIFIED: 0 <XX<10 ± 0.2 10<XX<30 ± 0.25 30<XX ± 0.3 ANGLES ± 3°
MATERIAL	FINISH
SEE TABLE	

DWN KT JUNG  
CHK JW JUNG  
APVD HG CHD  
PRODUCT SPEC -  
APPLICATION SPEC -  
WEIGHT -

**Tyco Electronics** AMP KOREA, Kyungsan, Korea

NAME: 090III 6P CAP ASS'Y (2ROW)

SIZE: A3 CAGE CODE: 00779 DRAWING NO: C-936271 RESTRICTED TO: -

CUSTOMER DRAWING SCALE: 2/1 SHEET: 1 OF 1 REV: C1

单击下面可查看定价，库存，交付和生命周期等信息

[>>TE Connectivity\(泰科\)](#)