

THIS DRAWING IS UNPUBLISHED.

RELEASED FOR PUBLICATION

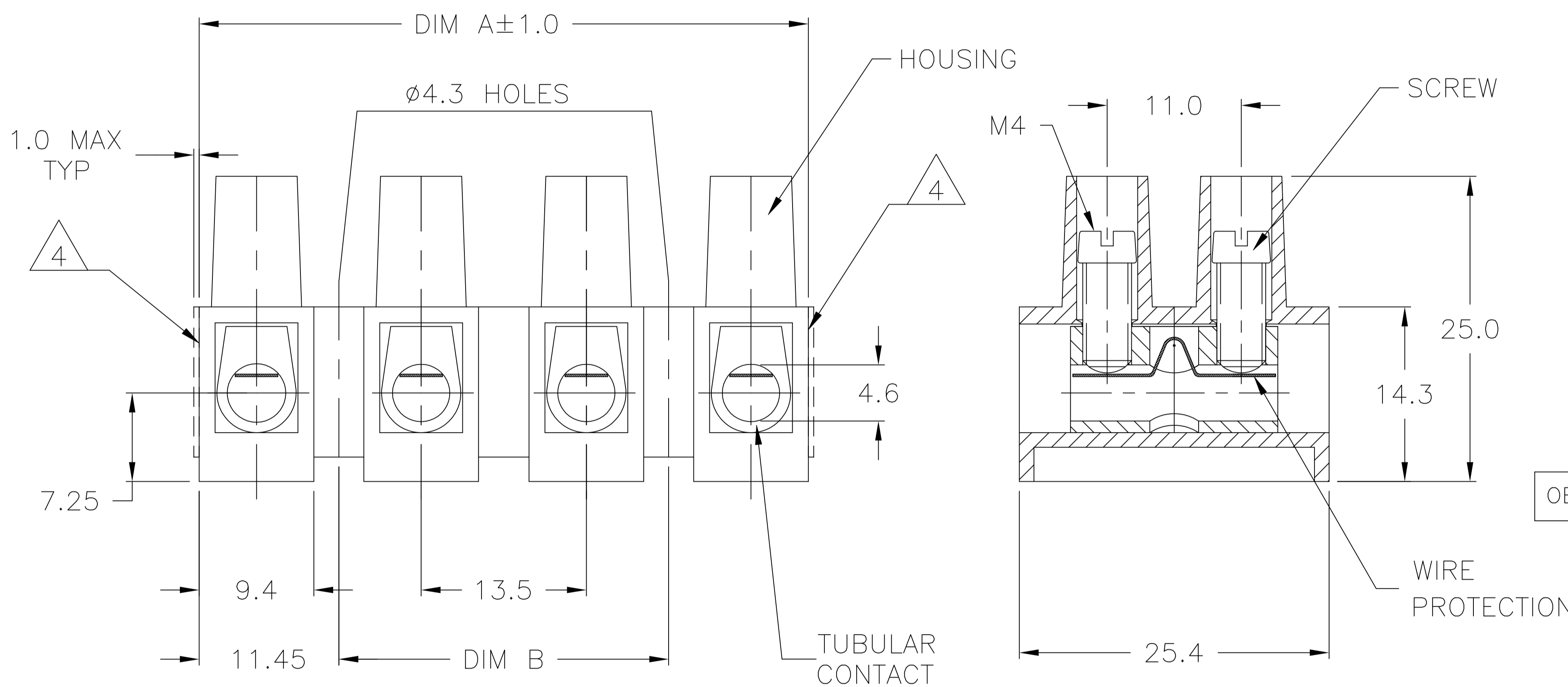
© COPYRIGHT - TE Connectivity Ltd.

ALL RIGHTS RESERVED.

REVISIONS

P	LTR	DESCRIPTION	DATE	DWN	APVD
P		CUTTING BURR DETAILS ADDED	19NOV2018	RK	PS

- MATERIAL:  
HOUSING: POLYAMIDE 6 UL94V-2.  
COLOR: NATURAL (OFF WHITE).  
TUBULAR CONTACT: BRASS, TIN PLATED.  
SCREW: M4, STEEL, ZINC PLATED W/ NON-  
HEXAVALENT CHROMATE (CHROME III).  
WIRE PROTECTOR: STAINLESS STEEL.
- CURRENT RATING: 40A, 300V (UL).  
55A, 300V (CSA).  
WIRE RANGE: 8-18 AWG.
- CONTINUOUS WORKING TEMPERATURE 100°C MAX.
- CUTTING PROJECTION CAN BE ON BOTH SIDES  
DEPENDING ON CUTTING LOCATION
- CUTTING BURR MAX. 1mm ALLOWED.



135.0	157.9	12	TSB150012DS	1-1776311-2
121.5	144.4	11	TSB150011DS	1-1776311-1
108.0	130.9	10	TSB150010DS	1-1776311-0
94.5	117.9	9	TSB150009DS	1776311-9
81.0	103.9	8	TSB150008DS	1776311-8
OBSOLETE	67.5	7	TSB150007DS	1776311-7
	54.0	6	TSB150006DS	1776311-6
	40.5	5	TSB150005DS	1776311-5
	27.0	4	TSB150004DS	1776311-4
	13.5	3	TSB150003DS	1776311-3
	-	2	TSB150002DS	1776311-2
	-	1	TSB150001DS	1776311-1
DIM B	DIM A	POSN	CATALOG NUMBER	TE PART NUMBER

1776311-4 AS SHOWN

THIS DRAWING IS A CONTROLLED DOCUMENT.		DWN S SCHLEGEL 3/21/05	TE Connectivity Ltd.													
DIMENSIONS: mm		CHK C RICHARD 3/21/05														
TOLERANCES UNLESS OTHERWISE SPECIFIED:		APVD C RICHARD 3/21/05	NAME 13.5MM PITCH W/ WIRE PROTECTOR EUROPA TERMINAL BLOCK													
<table border="0"> <tr><td>0 PLC</td><td>± -</td></tr> <tr><td>1 PLC</td><td>± 0.3</td></tr> <tr><td>2 PLC</td><td>± 0.25</td></tr> <tr><td>3 PLC</td><td>± -</td></tr> <tr><td>4 PLC</td><td>± -</td></tr> <tr><td>ANGLES</td><td>± 2'</td></tr> </table>		0 PLC	± -	1 PLC	± 0.3	2 PLC	± 0.25	3 PLC	± -	4 PLC	± -	ANGLES	± 2'	PRODUCT SPEC -	-	
0 PLC	± -															
1 PLC	± 0.3															
2 PLC	± 0.25															
3 PLC	± -															
4 PLC	± -															
ANGLES	± 2'															
MATERIAL SEE NOTES		APPLICATION SPEC -	-													
FINISH SEE NOTES		WEIGHT	SIZE A3	CAGE CODE 000779												
		CUSTOMER DRAWING	DRAWING NO C=1776311	RESTRICTED TO -												
		SCALE NTS	SHEET 1 OF 1	REV P												

单击下面可查看定价，库存，交付和生命周期等信息

[>>TE Connectivity\(泰科\)](#)