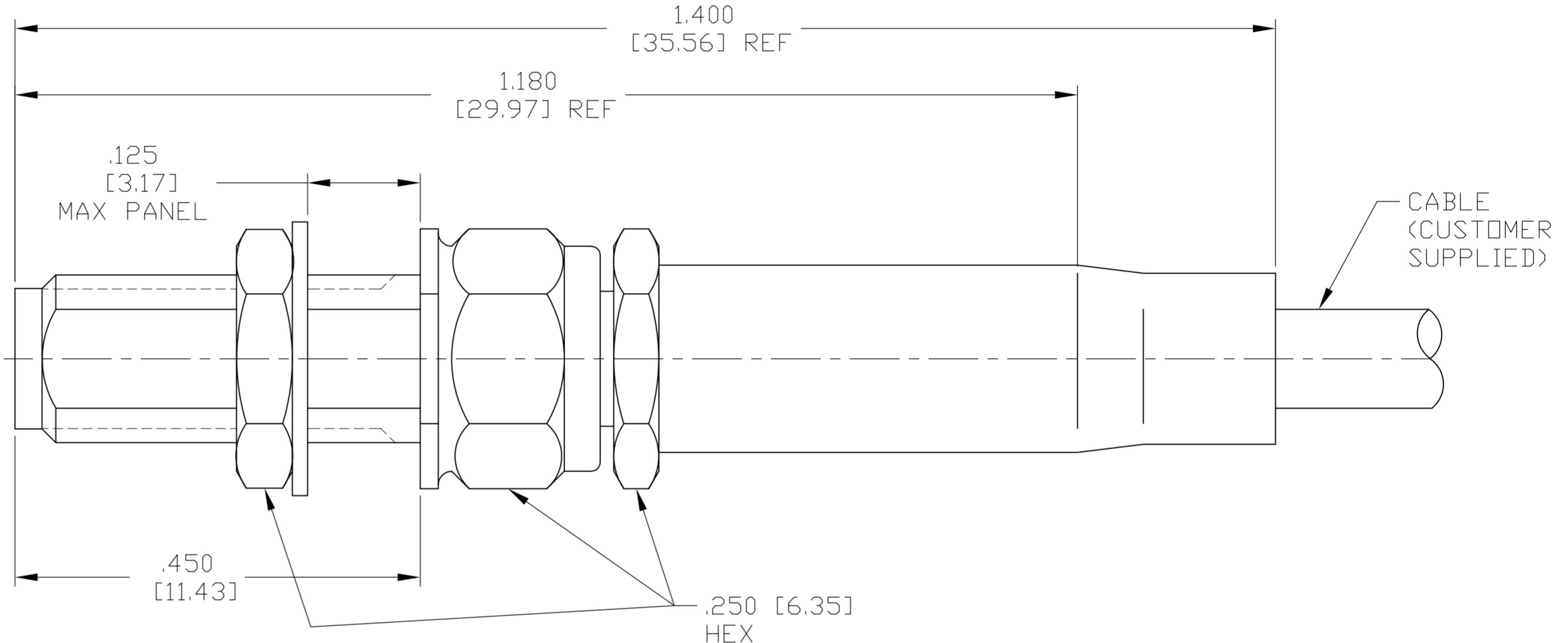
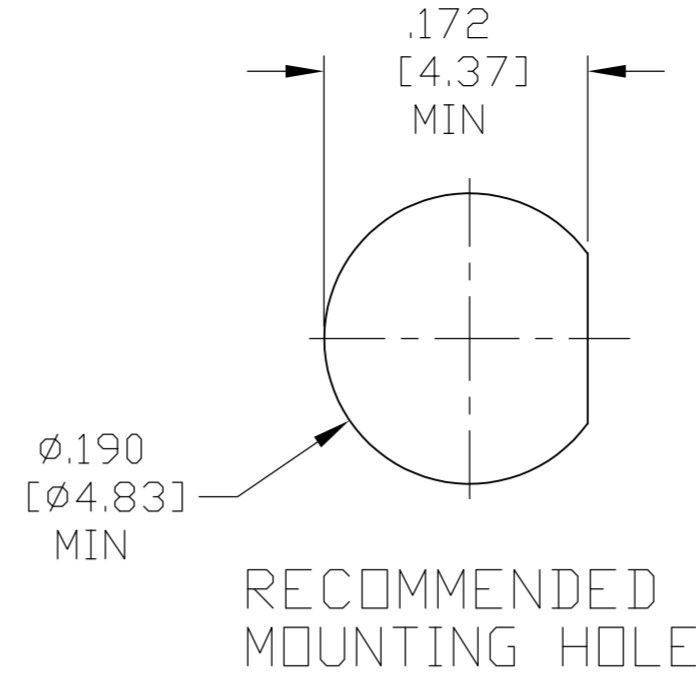


THIS DRAWING IS UNPUBLISHED. RELEASED FOR PUBLICATION
 © COPYRIGHT BY TYCO ELECTRONICS CORPORATION. ALL RIGHTS RESERVED.

LOC		DIST		REVISIONS			
P	LTR	DESCRIPTION	DATE	DWN	APVD		
	B	REV PER ECO 08-018955	06NOV08	PK	DW		

COMPONENT	MATERIAL	FINISH
HOUSING MOUNTING NUT CLAMP NUT	STAINLESS STEEL PER ASTM-A484 AND ASTM- A582, TYPE 303	PASSIVATE PER ASTM-A-380
DIELECTRIC	TFE FLUOROCARBON PER ASTM-D-1457	N/A
CENTER CONTACT	BERYLLIUM COPPER PER ASTM-B-196 OR ASTM-B-197, ALLOY C17300, CONDITION H	GOLD PLATE PER ASTM-B-488
SHRINK TUBING	HEAT SHRINKABLE POLYOLEFIN COMPOUND MIL-I-23053/4	N/A
CRIMP SLEEVE	COPPER OR BRASS ALLOY ROCKWELL F65 MAX	GOLD PLATE PER ASTM-B-488



ELECTRICAL	MECHANICAL	ENVIRONMENTAL
Nominal Impedance (Ohms) 50	Interface Dimensions MIL-STD-348A, Fig. 319-2	TEMPERATURE RATING -65°C TO +165°C
MAX Frequency Range (GHz) DC to 3 GHz	Recommended Mating Torque 5 In. Lbs.	Vibration MIL-STD-202, Method 204, Condition D
Volt Rating (VRMS MAX) @ Sea Level 250	Mating Characteristics: Insertion (MAX Lbs) 3	Shock MIL-STD-202, Method 213, Condition I
VSWR 1.24 MAX	Withdrawal (MIN Oz) 1	Thermal Shock MIL-STD-202, Method 107, Condition B, EXCEPT HIGH TEMP -85°C
Insertion Loss (dB MAX) .04 √fGHz	Force to Engage and Disengage (In-Lbs MAX) 2.0	Moisture Resistance MIL-STD-202, Method 106
RF Leakage (dB MIN) -60	Center Contact Captivation Axial (Lbs) 6.0	Corrosion - MIL-STD-202, Method 101, Condition B, 5% salt spray
Corona, 70,000 Ft (VRMS MIN) 190	Radial (In-Oz) N/A	
Dielectric Withstanding Voltage (VRMS MIN) @ Sea Level 750	Cable Retention Axial Force (Lbs) 20	
Contact Resistance (Milliohms MAX) Center Contact 4.0	Torque (In-Oz) N/A	
Outer Contact 2.0		
Cable to Housing 0.5		
RF High Potential @ Sea Level (VRMS MIN @ 5 MHz) 500		
I.R.(Megohms MIN) 5,000		

DESIGNED FOR USE WITH RG174/U,188, & 316	
CABLE ENTRY DIAMETER MINIMUM	
SLEEVE	.063 [1.70]
CONTACT	.024 [0.61]
DIELECTRIC	.066 [1.68]

THIS DRAWING IS A CONTROLLED DOCUMENT.		DWN C.C.THOMAS 2-11-08	Tyco Electronics Corporation Harrisburg, PA 17105-3608												
DIMENSIONS: INCHES [mm]		CHK D.WILSON 2-11-08													
TOLERANCES UNLESS OTHERWISE SPECIFIED:		APVD D.WILSON 2-11-08	NAME SSMA BULKHEAD FEEDTHROUGH CABLE JACK-CRIMP ATTACHMENT												
<table border="1"> <tr><td>0 PLC</td><td>± -</td></tr> <tr><td>1 PLC</td><td>± -</td></tr> <tr><td>2 PLC</td><td>± -</td></tr> <tr><td>3 PLC</td><td>± .005 [0.13]</td></tr> <tr><td>4 PLC</td><td>± -</td></tr> <tr><td>ANGLES</td><td>± 1°</td></tr> </table>		0 PLC	± -	1 PLC	± -	2 PLC	± -	3 PLC	± .005 [0.13]	4 PLC	± -	ANGLES	± 1°	PRODUCT SPEC	APPLICATION SPEC
0 PLC	± -														
1 PLC	± -														
2 PLC	± -														
3 PLC	± .005 [0.13]														
4 PLC	± -														
ANGLES	± 1°														
MATERIAL SEE TABLE		FINISH SEE TABLE	408-4784												
		WEIGHT 2.4 Grams	SIZE A2 CAGE CODE 00779 DRAWING NO. 1757804												
		CUSTOMER DRAWING	RESTRICTED TO -												
		SCALE 8:1	SHEET 1 of 1 REV B												

1757804-1
PART NUMBER

单击下面可查看定价，库存，交付和生命周期等信息

[>>TE Connectivity\(泰科\)](#)