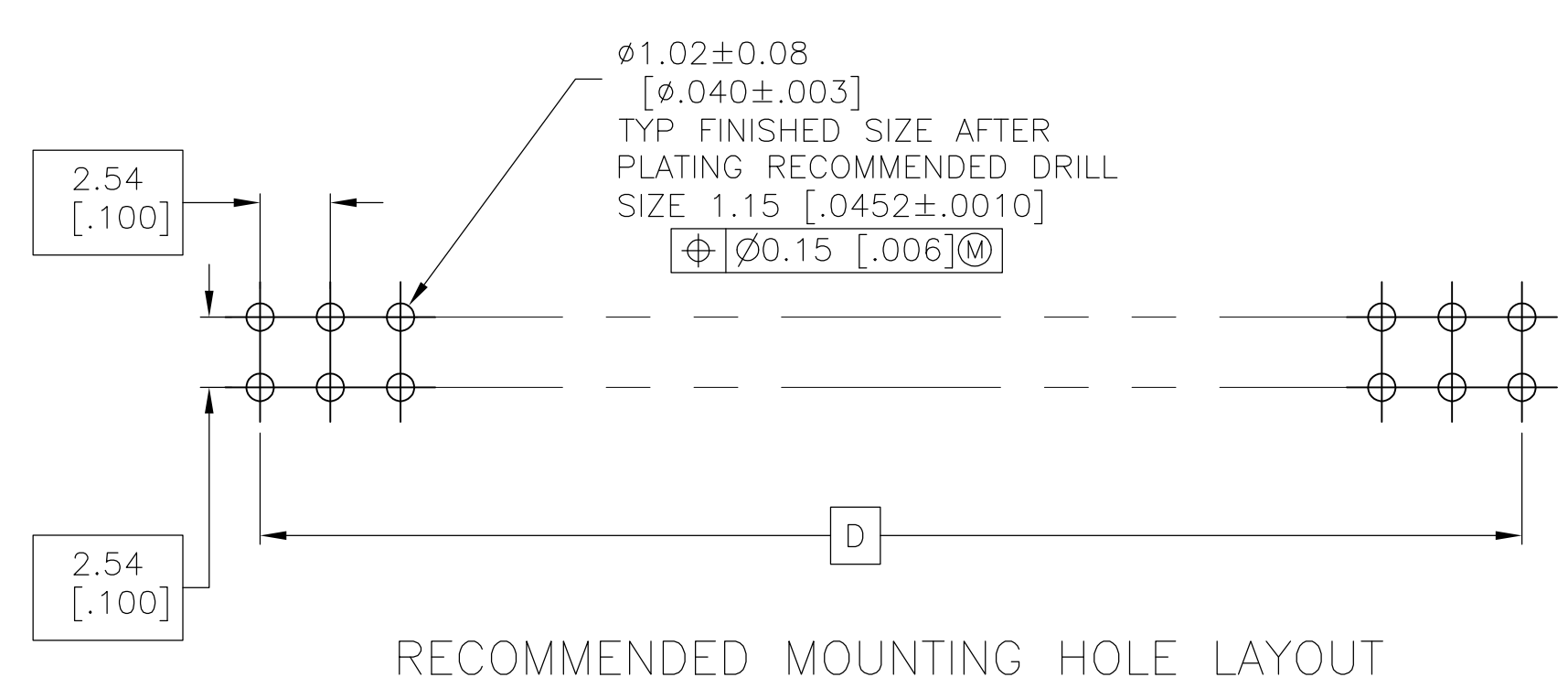
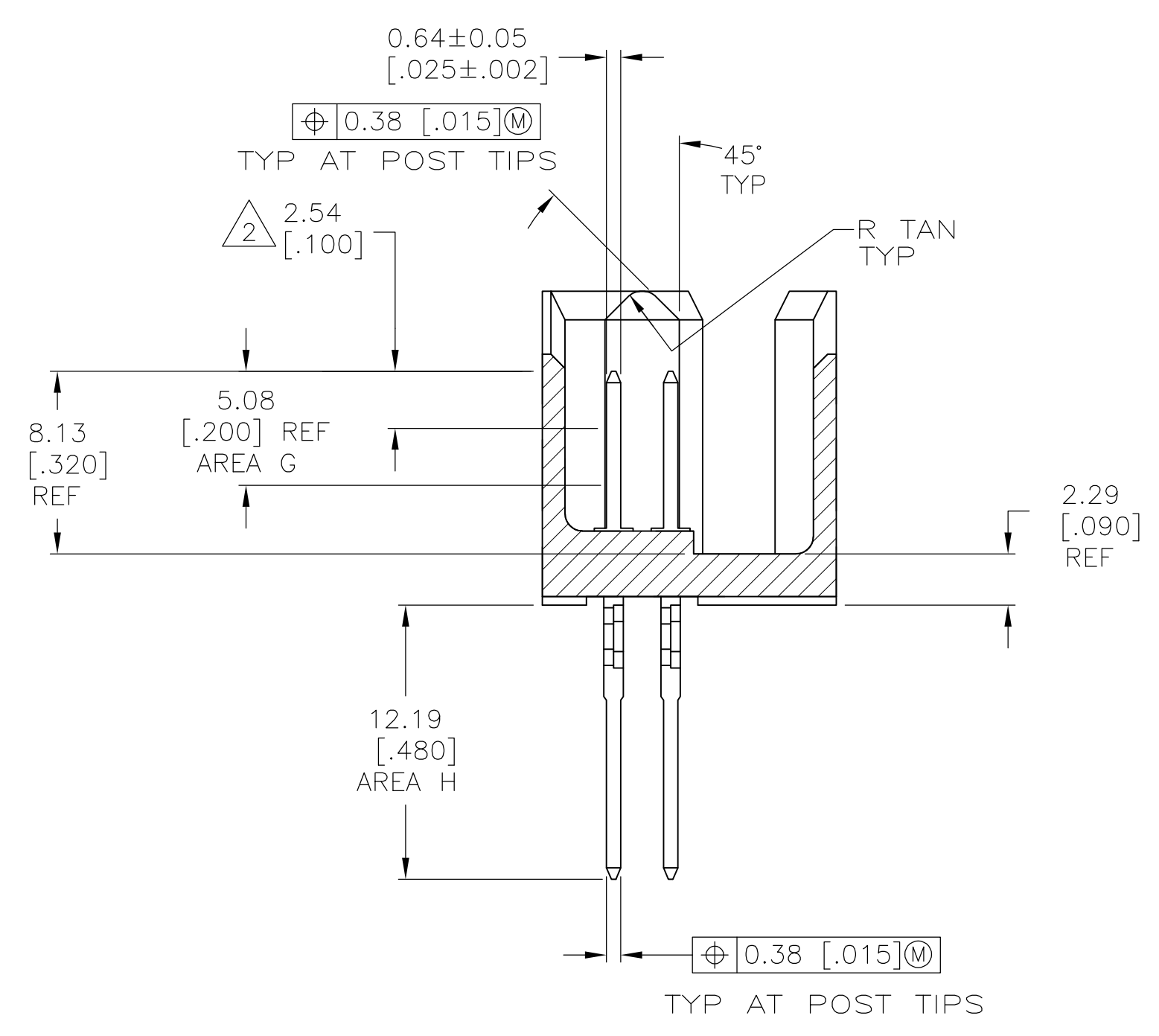
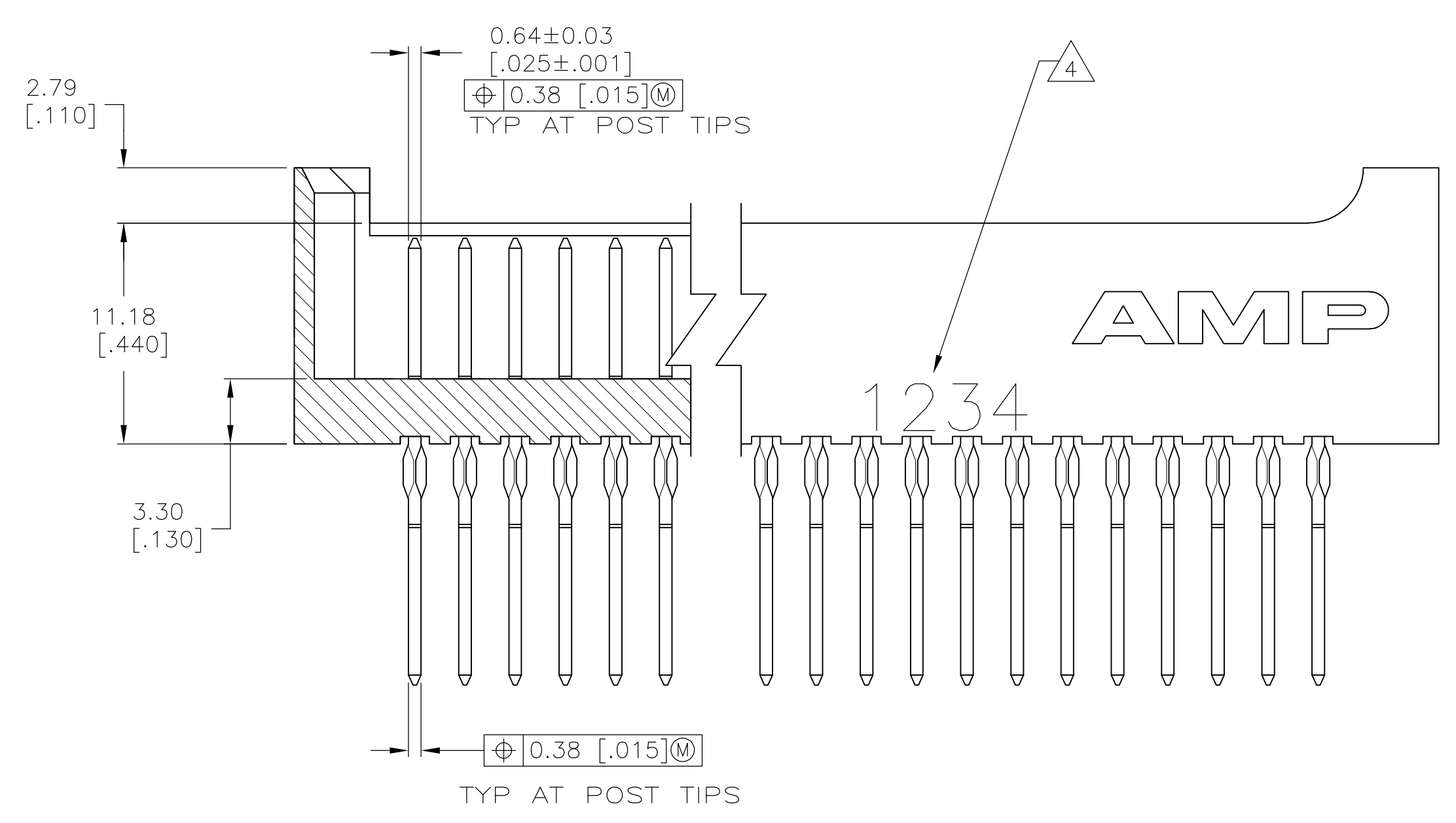
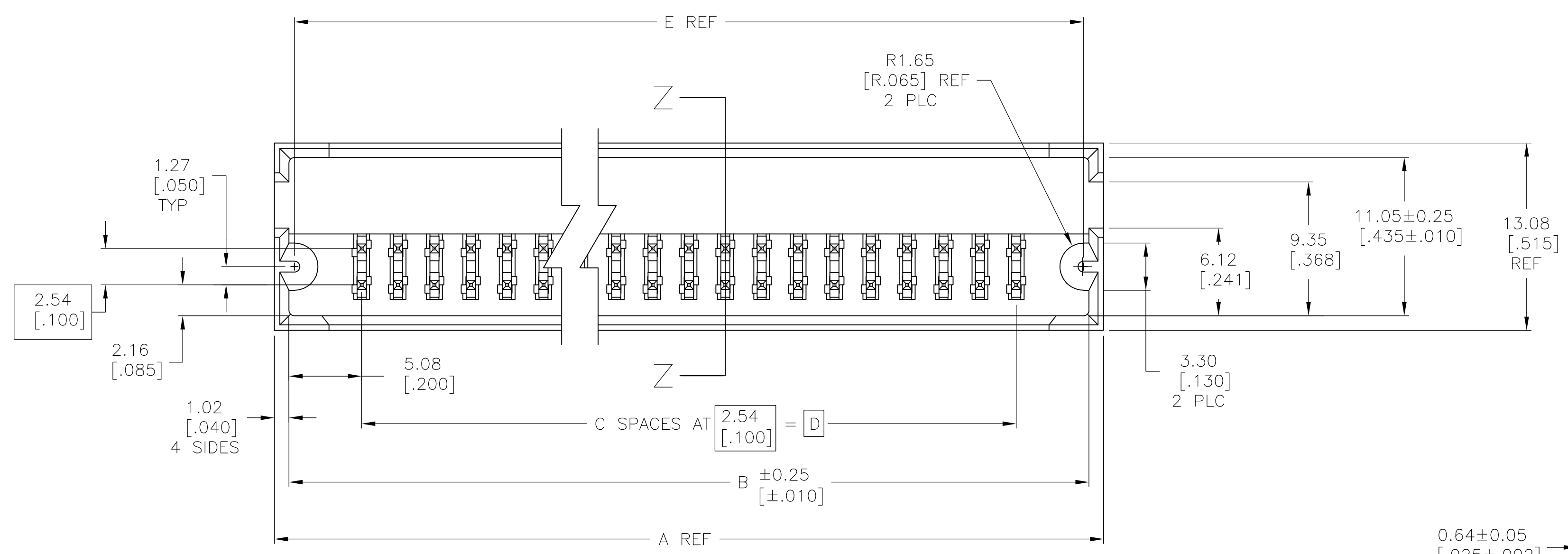


LOC		DIST		REVISIONS			
IF	LTR	DESCRIPTION	DATE	DRN	APVD		
G2		ECO-07-016583	11DEC07	MB	JO		

- 1 HOUSING: FLAME RETARDANT THERMOPLASTIC; COLOR: BLACK.
POST: COPPER ALLOY.
- 2 POINT OF MEASUREMENT FOR PLATING THICKNESS.
- 3 DUPLEX PLATING: 0.00076 [.000030] GOLD IN AREA G,
0.00254-0.00508 [.000100-.000200] BRIGHT TIN-LEAD IN AREA H,
ALL OVER 0.00127 [.000050] NICKEL.
- 4 RECESSED DATE CODE AND CSA LOGO.
- 5 DUPLEX PLATING: 0.00076 [.000030] GOLD IN AREA G,
0.00254-0.00508 [.000100-.000200] BRIGHT TIN-LEAD IN AREA H,
ALL OVER 0.00127 [.000050] NICKEL.
- 6 ROHS 2002/95/EC COMPLIANT



THIS DRAWING IS A CONTROLLED DOCUMENT.		DWN: K.L.CLOUSER/UTA 4/22/91	Tyco Electronics Corporation Harrisburg, PA 17105-3608	
DIMENSIONS: mm		CHK: D SARVER 6-19-91	NAME: Tyco Electronics	
TOLERANCES UNLESS OTHERWISE SPECIFIED:		PRODUCT SPEC: HEADER ASSY, MOD II, DOUBLE ROW.		
0' PLC ± -	1' PLC ± -	2.54 X 2.54 [.100 X .100] CL .025 SQ COMPLIANT		
2' PLC ± -	3' PLC ± -	APPLICATION SPEC: PIN POST, FOR .093 NOM AND THICKER BOARDS		
4' PLC ± -	ANGLES ± -	SIZE: A1	CAGE CODE: 00779	DRAWING NO: 102691
MATERIAL: 1 SEE TABLE		WEIGHT: -	SCALE: 4:1	SHEET 1 OF 2
		CUSTOMER DRAWING		

OBSOLETE		210.06 [8.270]	200.66 [7.900]	79	210.82 [8.300]	212.85 [8.380]	160	△ ₆	7-102691-8
		194.82 [7.670]	185.42 [7.300]	73	195.58 [7.700]	197.61 [7.780]	148	△ ₆	7-102691-7
		169.42 [6.670]	160.02 [6.300]	63	170.18 [6.700]	172.21 [6.780]	128	△ ₆	7-102691-6
		62.74 [2.470]	53.34 [2.100]	21	63.50 [2.500]	65.53 [2.580]	44	△ ₆	7-102691-5
		24.64 [.970]	15.24 [.600]	6	25.40 [1.000]	27.43 [1.080]	14	△ ₆	7-102691-4
		235.46 [9.270]	226.06 [8.900]	89	236.22 [9.300]	238.25 [9.380]	180	△ ₆	7-102691-3
		126.24 [4.970]	116.84 [4.600]	46	127.00 [5.000]	129.03 [5.080]	94	△ ₆	7-102691-2
		260.86 [10.270]	251.46 [9.900]	99	261.62 [10.300]	263.65 [10.380]	200	△ ₆	7-102691-1
								△ ₆	7-102691-0
								△ ₆	6-102691-9
							△ ₆	6-102691-8	
							△ ₆	6-102691-7	
							△ ₆	6-102691-6	
							△ ₆	6-102691-5	
		44.96 [1.770]	35.56 [1.400]	14	45.72 [1.800]	47.75 [1.880]	30	△ ₆	6-102691-4
							△ ₆	6-102691-3	
							△ ₆	6-102691-2	
		171.96 [6.770]	162.56 [6.400]	64	172.72 [6.800]	174.75 [6.880]	130	△ ₆	6-102691-1
		184.66 [7.270]	175.26 [6.900]	99	185.42 [7.300]	187.45 [7.380]	140	△ ₆	6-102691-0
		159.26 [6.270]	149.86 [5.900]	59	160.02 [6.300]	162.05 [6.380]	120	△ ₆	5-102691-9
		133.86 [5.270]	124.46 [4.900]	49	134.62 [5.300]	136.65 [5.380]	100	△ ₆	5-102691-8
							△ ₆	5-102691-7	
		108.46 [4.270]	99.06 [3.900]	39	109.22 [4.300]	111.25 [4.380]	80	△ ₆	5-102691-6
		83.06 [3.270]	73.66 [2.900]	29	83.82 [3.300]	85.85 [3.380]	60	△ ₆	5-102691-5
		70.36 [2.770]	60.96 [2.400]	24	71.12 [2.800]	73.15 [2.880]	50	△ ₆	5-102691-4
		52.58 [2.070]	43.18 [1.700]	17	53.34 [2.100]	55.37 [2.180]	36	△ ₆	5-102691-3
		37.34 [1.470]	27.94 [1.100]	11	38.10 [1.500]	40.13 [1.580]	24	△ ₆	5-102691-2
		22.10 [.870]	12.70 [.500]	5	22.86 [.900]	24.89 [.980]	12	△ ₆	5-102691-1
	FINISH	E	D	C	B	A	NO OF POSN	PART NUMBER	

OBSOLETE		210.06 [8.270]	200.66 [7.900]	79	210.82 [8.300]	212.85 [8.380]	160		2-102691-8
		194.82 [7.670]	185.42 [7.300]	73	195.58 [7.700]	197.61 [7.780]	148		2-102691-7
		169.42 [6.670]	160.02 [6.300]	63	170.18 [6.700]	172.21 [6.780]	128		2-102691-6
		62.74 [2.470]	53.34 [2.100]	21	63.50 [2.500]	65.53 [2.580]	44		2-102691-5
		24.64 [.970]	15.24 [.600]	6	25.40 [1.000]	27.43 [1.080]	14		2-102691-4
		235.46 [9.270]	226.06 [8.900]	89	236.22 [9.300]	238.25 [9.380]	180		2-102691-3
		126.24 [4.970]	116.84 [4.600]	46	127.00 [5.000]	129.03 [5.080]	94		2-102691-2
		260.86 [10.270]	251.46 [9.900]	99	261.62 [10.300]	263.65 [10.380]	200		2-102691-1
									2-102691-0
									1-102691-9
								1-102691-8	
								1-102691-7	
								1-102691-6	
								1-102691-5	
		44.96 [1.770]	35.56 [1.400]	14	45.72 [1.800]	47.75 [1.880]	30		1-102691-4
									1-102691-3
									1-102691-2
		171.96 [6.770]	162.56 [6.400]	64	172.72 [6.800]	174.75 [6.880]	130		1-102691-1
		184.66 [7.270]	175.26 [6.900]	99	185.42 [7.300]	187.45 [7.380]	140		1-102691-0
		159.26 [6.270]	149.86 [5.900]	59	160.02 [6.300]	162.05 [6.380]	120		102691-9
		133.86 [5.270]	124.46 [4.900]	49	134.62 [5.300]	136.65 [5.380]	100		102691-8
									102691-7
		108.46 [4.270]	99.06 [3.900]	39	109.22 [4.300]	111.25 [4.380]	80		102691-6
		83.06 [3.270]	73.66 [2.900]	29	83.82 [3.300]	85.85 [3.380]	60		102691-5
		70.36 [2.770]	60.96 [2.400]	24	71.12 [2.800]	73.15 [2.880]	50		102691-4
		52.58 [2.070]	43.18 [1.700]	17	53.34 [2.100]	55.37 [2.180]	36		102691-3
		37.34 [1.470]	27.94 [1.100]	11	38.10 [1.500]	40.13 [1.580]	24		102691-2
		22.10 [.870]	12.70 [.500]	5	22.86 [.900]	24.89 [.980]	12		102691-1
	FINISH	E	D	C	B	A	NO OF POSN	PART NUMBER	

THIS DRAWING IS A CONTROLLED DOCUMENT. **DIN** K. L. CLOUSER/UTA 4/2/91
 CHK D SARVER 6-19-91
Tyco Electronics Tyco Electronics Corporation
 Harrisburg, PA 17105-3608

DIMENSIONS: mm	TOLERANCES UNLESS OTHERWISE SPECIFIED: 0. PLC ± .01 1. PLC ± .01 2. PLC ± .013 [0.05] 3. PLC ± .01 4. PLC ± .01 ANGLES ± .5	PRODUCT SPEC	NAME
MATERIAL	FINISH SEE TABLE	APPLICATION SPEC	SIZE CASE CODE DRAWING NO
		WEIGHT	A1 00779 102691
		CUSTOMER DRAWING	SCALE 4:1 SHEET 2 OF 2 REV G2

HEADER ASSY, MOD II, DOUBLE ROW.
 2.54 X 2.54 [100 X 100]CL, .025 SQ COMPLIANT
 PIN POST, FOR .093 NOM AND THICKER BOARDS

单击下面可查看定价，库存，交付和生命周期等信息

[>>TE Connectivity\(泰科\)](#)