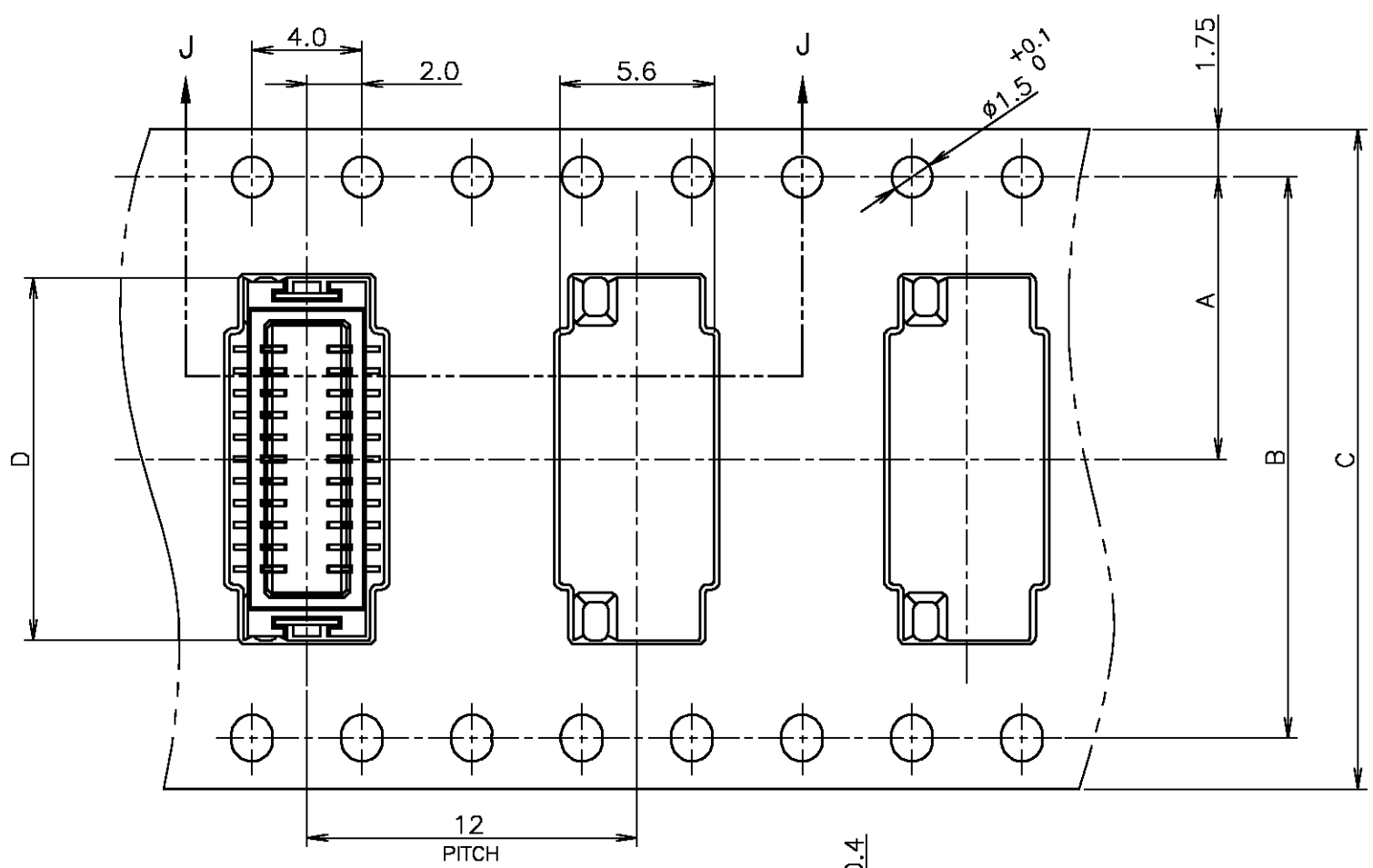
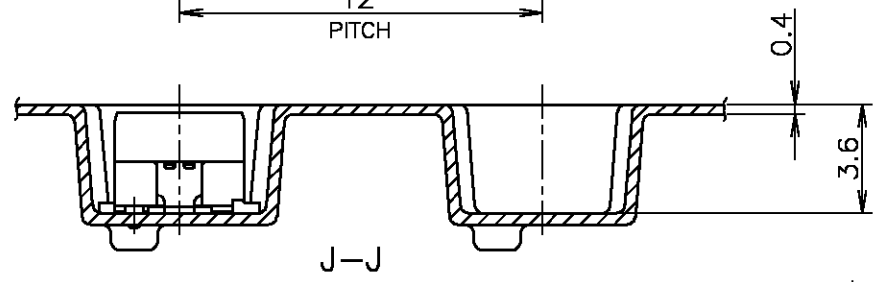


THIS DRAWING IS UNPUBLISHED. RELEASED FOR PUBLICATION DEC, 2004.  
 © COPYRIGHT 2004 BY TYCO ELECTRONICS CORPORATION. ALL RIGHTS RESERVED.

LOC	DIST	REVISIONS					
		P	LTR	DESCRIPTION	DATE	DWN	APVD
J		0		RELEASED FJB0-1439-04	27DEC04	M.I	T.K

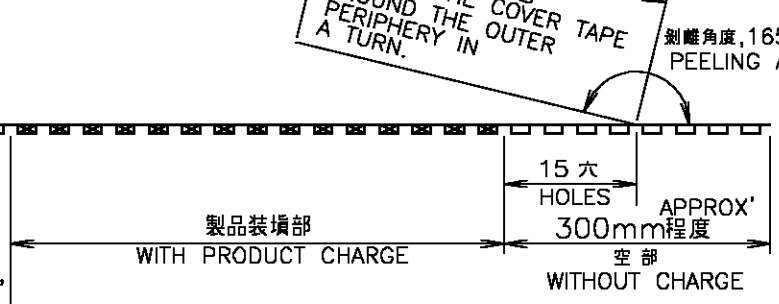
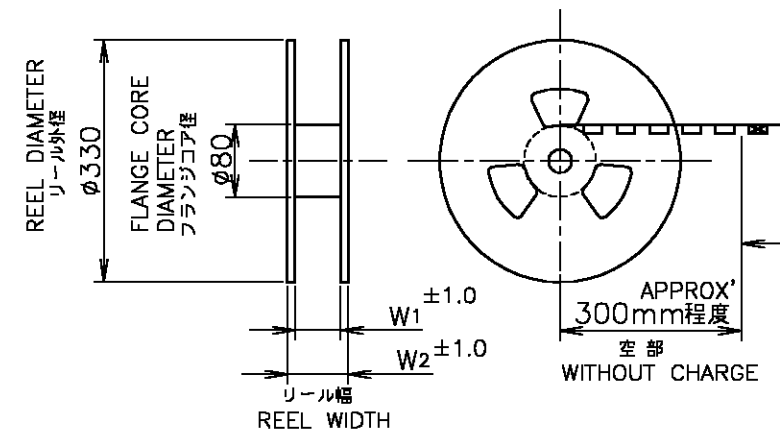


テープ幅  
TAPE WIDTH



引出し方向  
TOP OF REEL →

カバーテープ  
リーダー部  
外周一巻  
WEEDING THE COVER TAPE  
AROUND THE OUTER  
PERIPHERY IN  
A TURN.  
剥離角度, 165°~180°  
PEELING ANGLE.



48.7	45.5	23.8	44	40.4	20.2	1000	50	5-5316466-0
W2	W1	D	C	B	A	数量 (ヶ) QTY/REEL	極数 POS	リール巻 コネクタ型番 TAPING P/N

THIS DRAWING IS A CONTROLLED DOCUMENT.

DWN	M.IWASAKI	27DEC04		Tyco Electronics AMP K.K. Kawasaki, Japan		
CHK	Y.NAKAZAWA	27DEC04				
APVD	T.KUSUHARA	27DEC04				
PRODUCT SPEC	製品規格					
APPLICATION SPEC	取付適用規格		ON TAPING EMBOSS 0.8mm PITCH FINE MATE CONN TAB ASSEMBLY WITH BOSS V-TYPE			
WEIGHT			SIZE	CAGE CODE	DRAWING NO	RESTRICTED TO
			A3	00779	C-5316466	

CUSTOMER DRAWING

SCALE 4:1 SHEET 1 OF 2 REV 0

GENERAL TOLERANCE  
一般公差

10 ≥ : ±0.2  
 30 ≥ > 10: ±0.25  
 100 ≥ > 30: ±0.3  
 ANGLES: ±3'

DIMENSIONS:  
単位: 筈  
mm

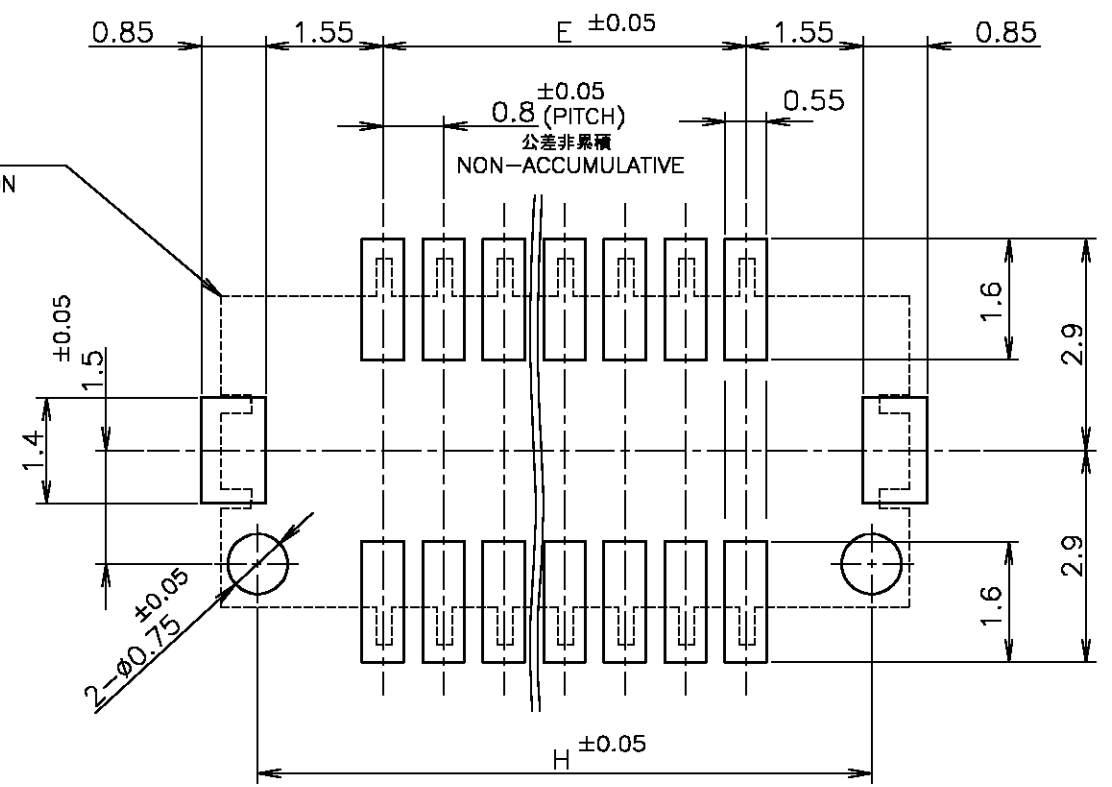
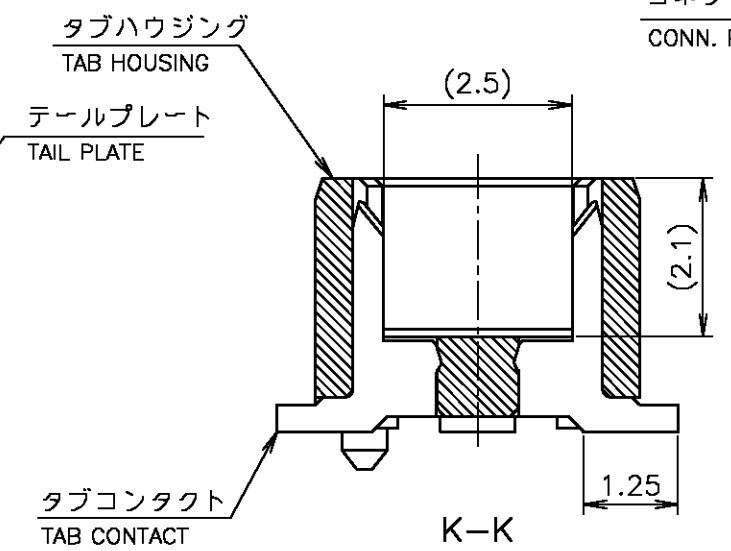
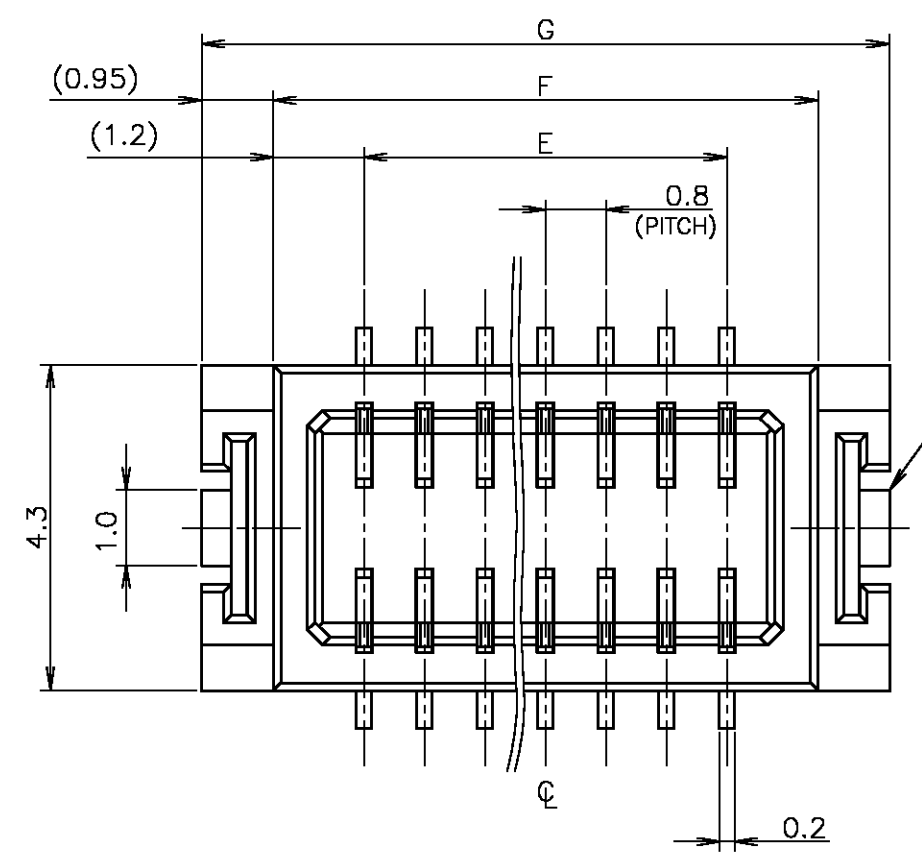
TOLERANCES UNLESS  
OTHERWISE SPECIFIED:  
一般公差

0 PLC ±  
 1 PLC ±  
 2 PLC ±  
 3 PLC ±  
 4 PLC ±  
 ANGLES ±

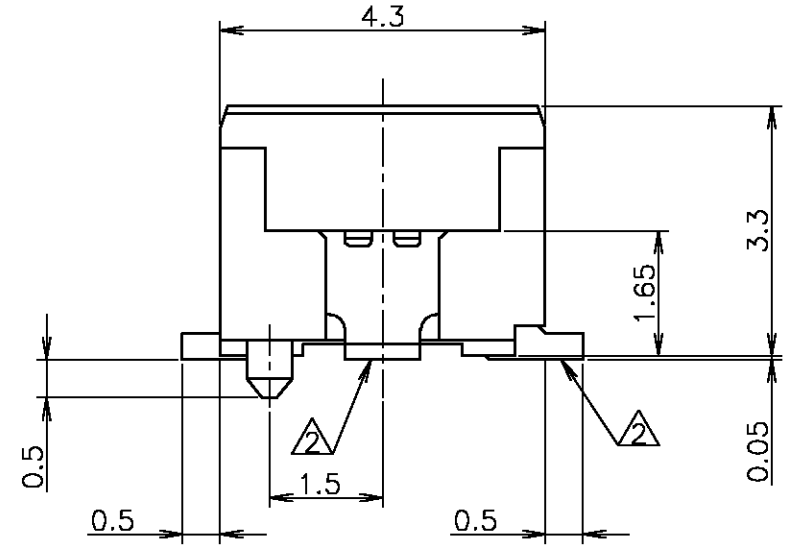
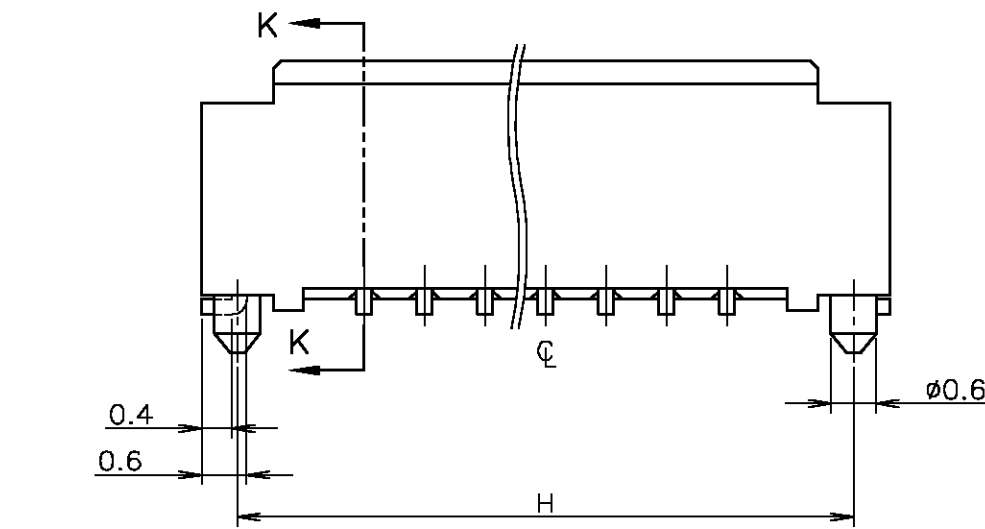
MATERIAL  
材料

FINISH  
仕上

本図：コネクタ図  
AS SHOWN: CONNECTOR DWG



参考基板加工寸法  
REFERENCE P.C BOARD LAYOUT



- 1 材料：タブハウジング：46ナイロン (耐熱性樹脂)
- タブコンタクト：銅合金 (t=0.2mm) 金めっき
- テールプレート：銅合金 (t=0.2mm) 錫めっき

△ 全てのタイン部及びテールプレートのバラツキは 0.1mm MAX.

- 1 MATERIAL
- TAB HOUSING: 46 NYLON (HIGH HEAT-RESISTED RESIN)
- TAB CONTACT: COPPER-ALLOY (t=0.2mm) Au PLATING
- TAIL PLATE: COPPER-ALLOY (t=0.2mm) TIN PLATING

△ MISALIGNMENT BETWEEN TAINS AND TAIL PLATE: 0.1mm MAX.

GENERAL TOLERANCE 一般公差

10 ≥ :	±0.2
30 ≥ > 10:	±0.25
100 ≥ > 30:	±0.3
ANGLES:	±3°

THIS DRAWING IS A CONTROLLED DOCUMENT.

DIMENSIONS: 単位： 筈 mm	TOLERANCES UNLESS OTHERWISE SPECIFIED: 一般公差
	0 PLC ±
	1 PLC ±
	2 PLC ±
	3 PLC ±
	4 PLC ±
MATERIAL 材料	FINISH 仕上

INSTRUCTION SHEET 取扱説明書 411-5808	DWN	22.55	23.5	21.6	19.2	50	5-5316466-0
CHK	APVD	H	G	F	E	極数 POS	型番 PART NO
PRODUCT SPEC 製品規格 108-5512	NAME 名称	<b>tyco</b> Tyco Electronics AMP K.K. <b>Electronics</b> Kawasaki, Japan					
APPLICATION SPEC 取付適用規格	ON TAPING EMBOSS 0.8mm PITCH FINE MATE CONN TAB ASSEMBLY WITH BOSS V-TYPE						
WEIGHT	SIZE	CAGE CODE	DRAWING NO	RESTRICTED TO			
CUSTOMER DRAWING	A3	00779	C-5316466				
		SCALE 尺度 10:1	SHEET 2 OF 2	REV 0			

单击下面可查看定价，库存，交付和生命周期等信息

[>>TE Connectivity\(泰科\)](#)