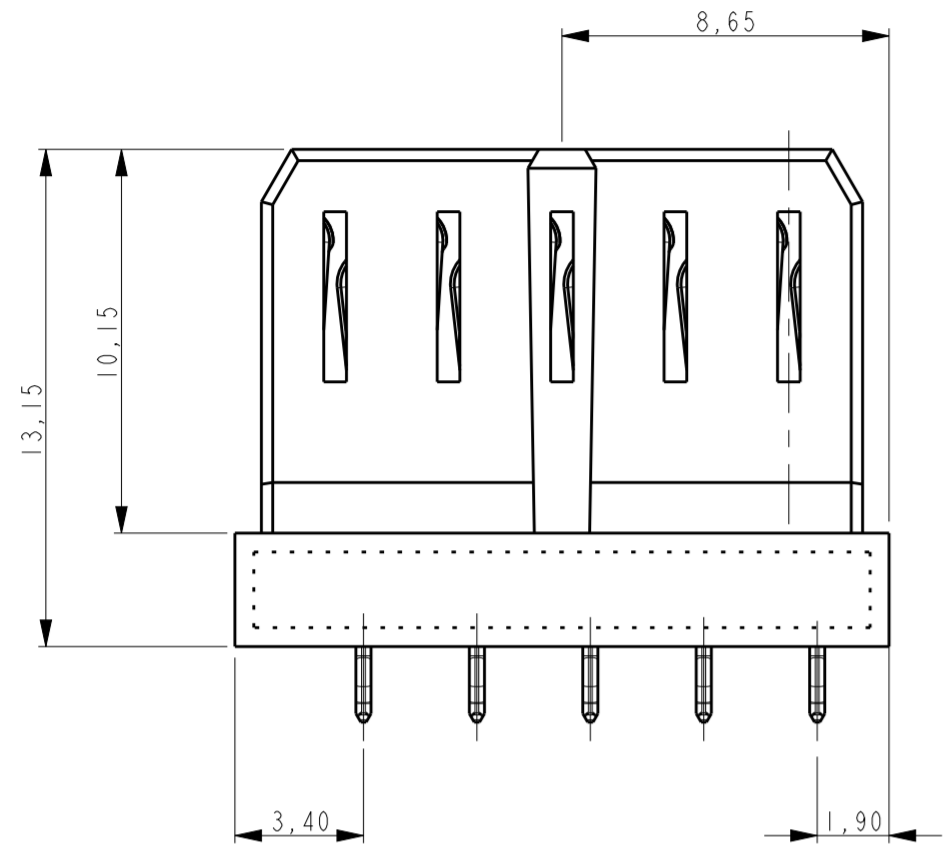


THIS DRAWING IS UNPUBLISHED. RELEASED FOR PUBLICATION
 © COPYRIGHT - BY TYCO ELECTRONICS CORPORATION. ALL RIGHTS RESERVED.

LOC		DIST		REVISIONS			
P	LTR	DESCRIPTION	DATE	DWN	APVD		
A		ECR-16-013766	10OCT2016	FL	SY		

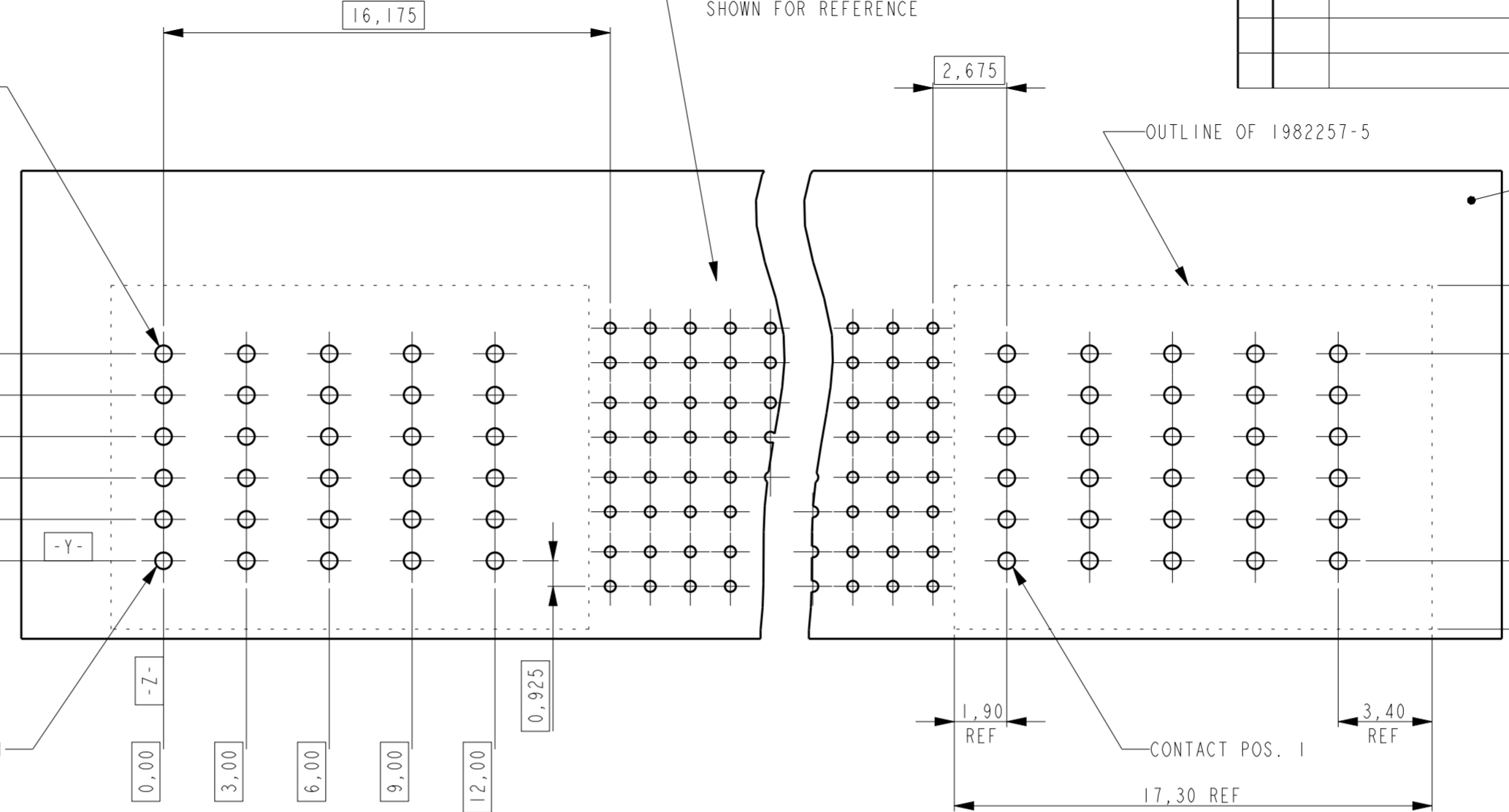


Ø0.60 FINISHED HOLE
 ⊕ 0.05 Y Z

7.50
 6.00
 4.50
 3.00
 1.50
 0.00

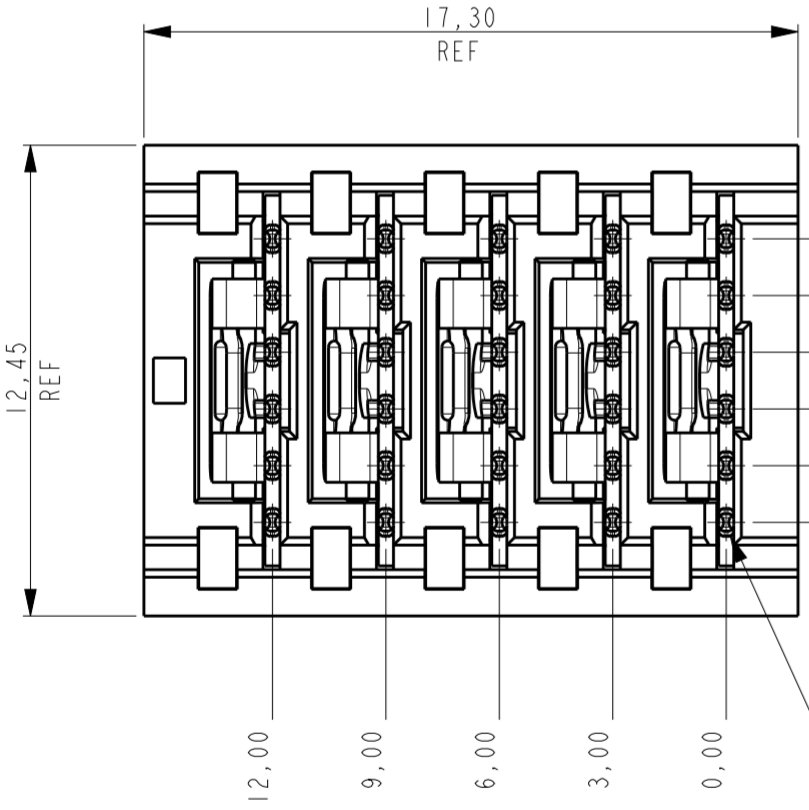
-Y-
 -Z-
 0.00 3.00 6.00 9.00 12.00

PCB LAYOUT FOR Z-PACK SLIM UHD
 MALE CONNECTOR 2042088
 SHOWN FOR REFERENCE

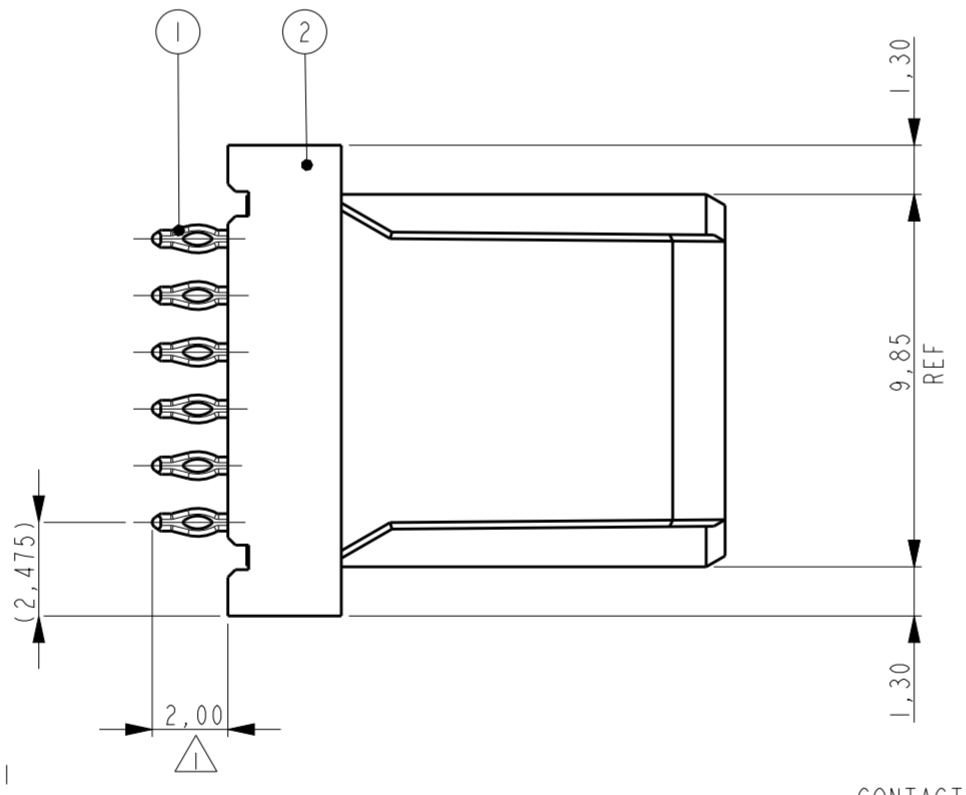


OUTLINE OF 1982257-5

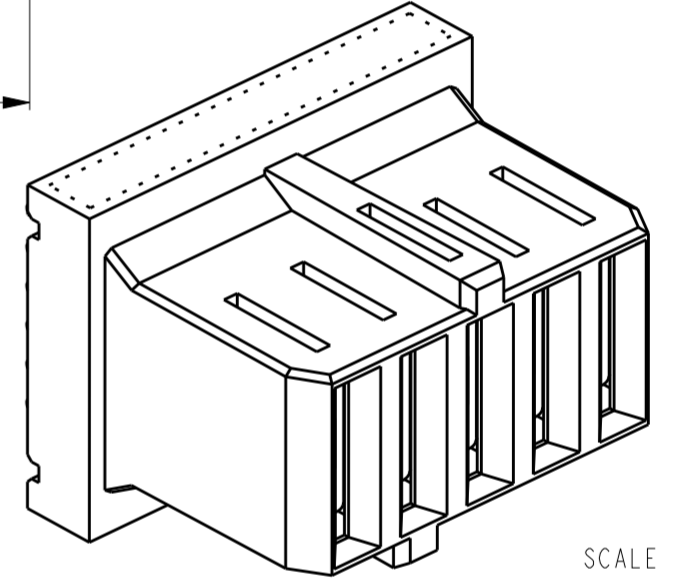
RECOMMENDED PCB LAYOUT
 (COMPONENT SIDE SHOWN)
 BOARD THICKNESS 1,2 MIN



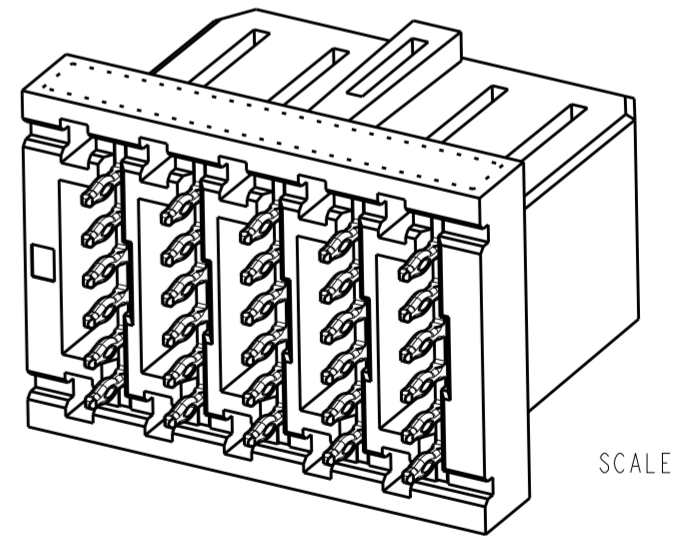
CONTACT POS. 1



CONTACT POS. 1

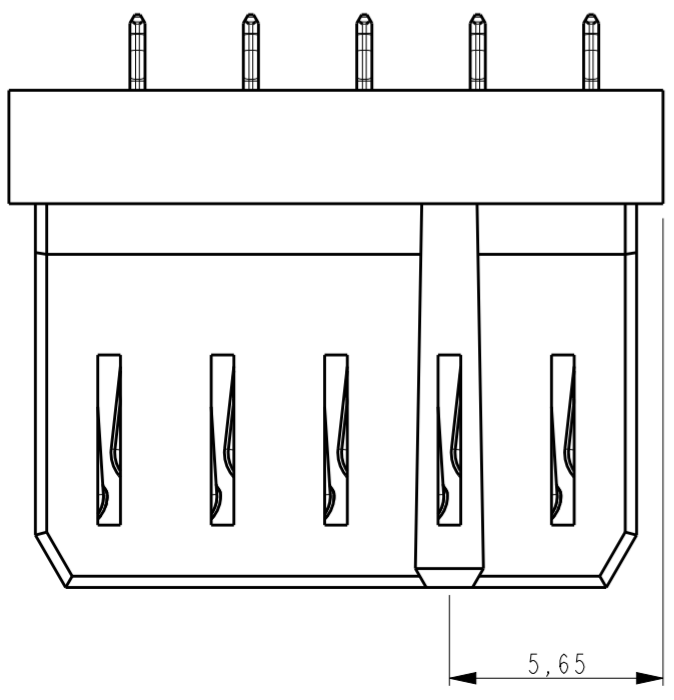


SCALE 4:1



SCALE 4:1

1982257-5 AS SHOWN



NOTES:
 1 PLATING: 0,5µm MIN. TIN OVER NICKEL.
 2 PLATING IN CONTACT AREA
 1,27 µm MIN. Au OVER 1,27µm MIN. Ni

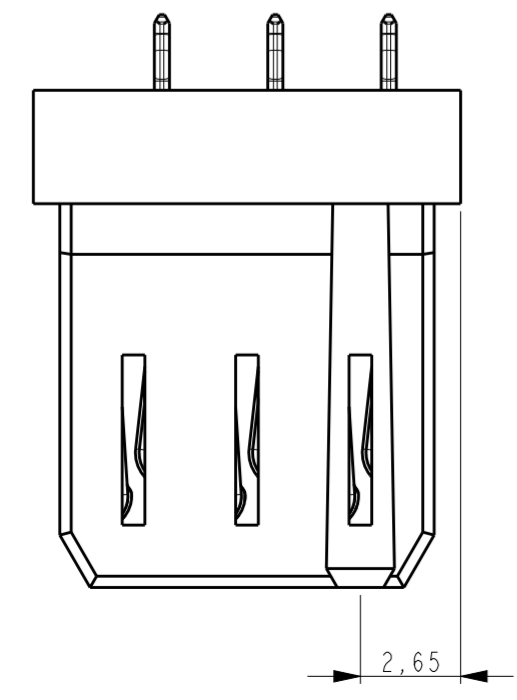
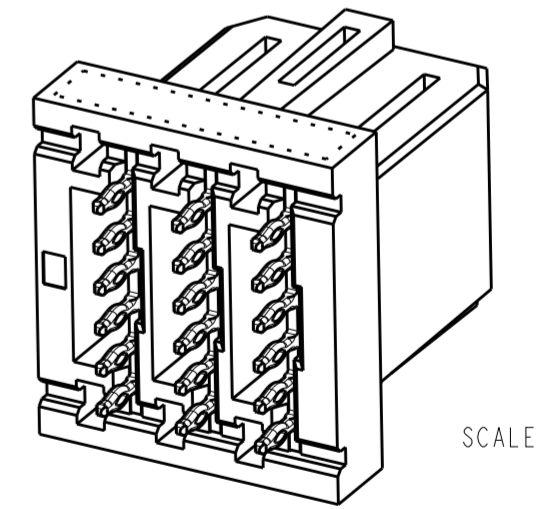
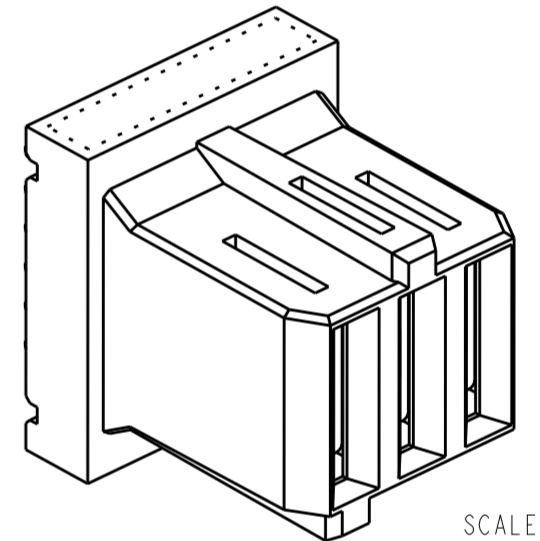
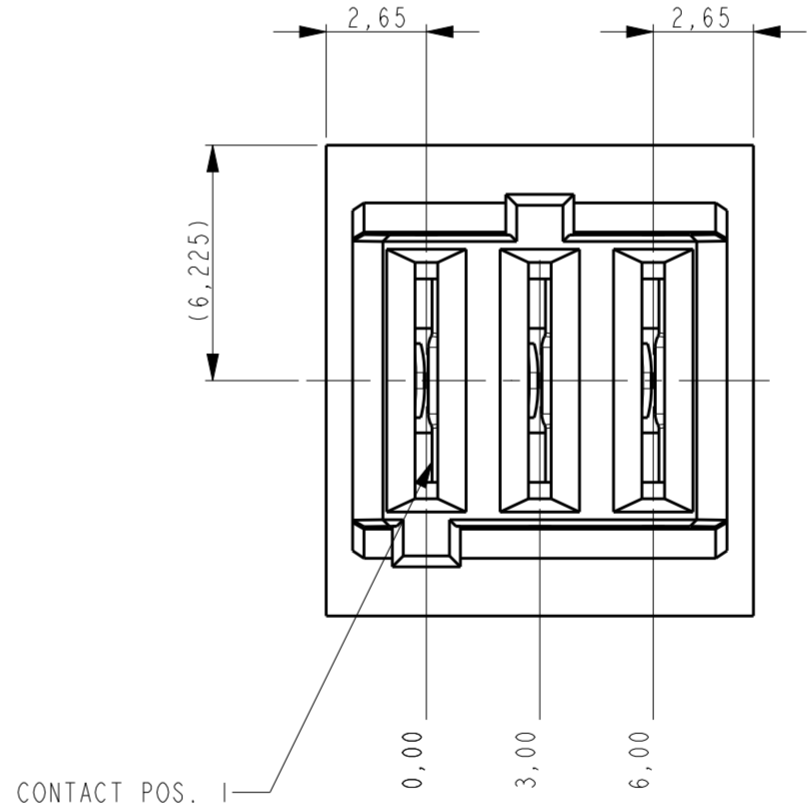
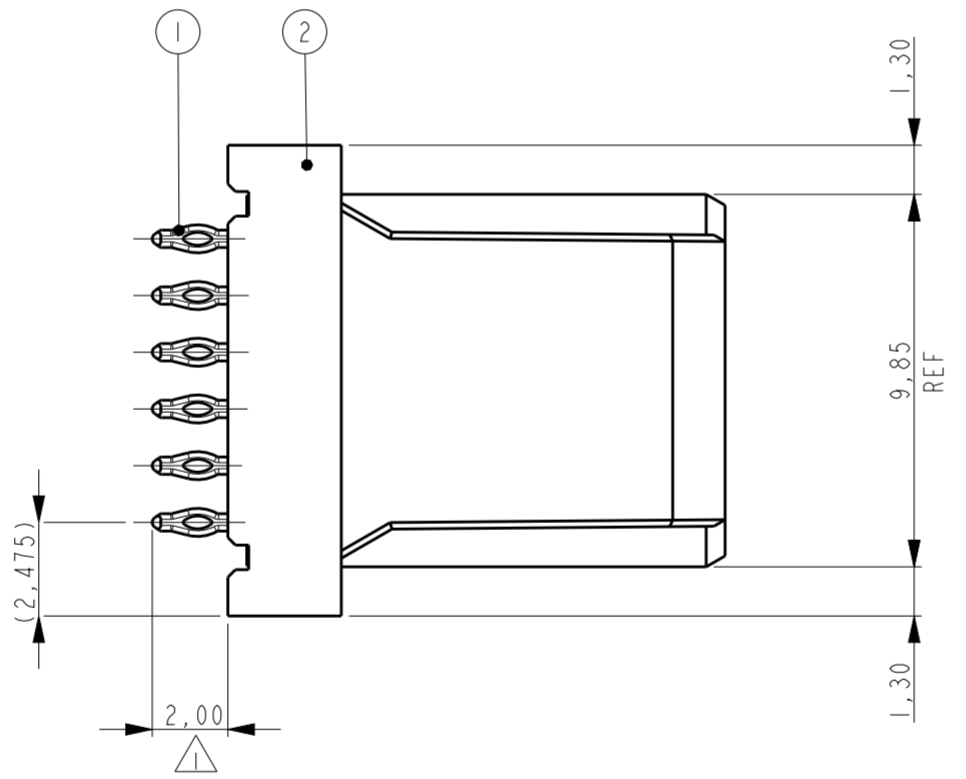
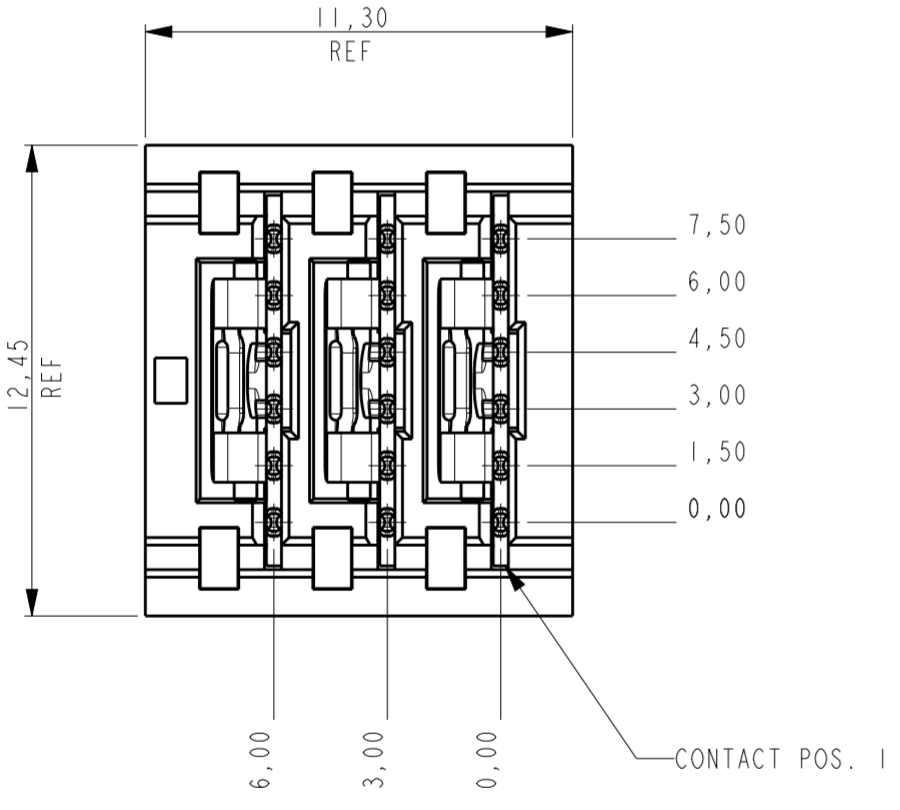
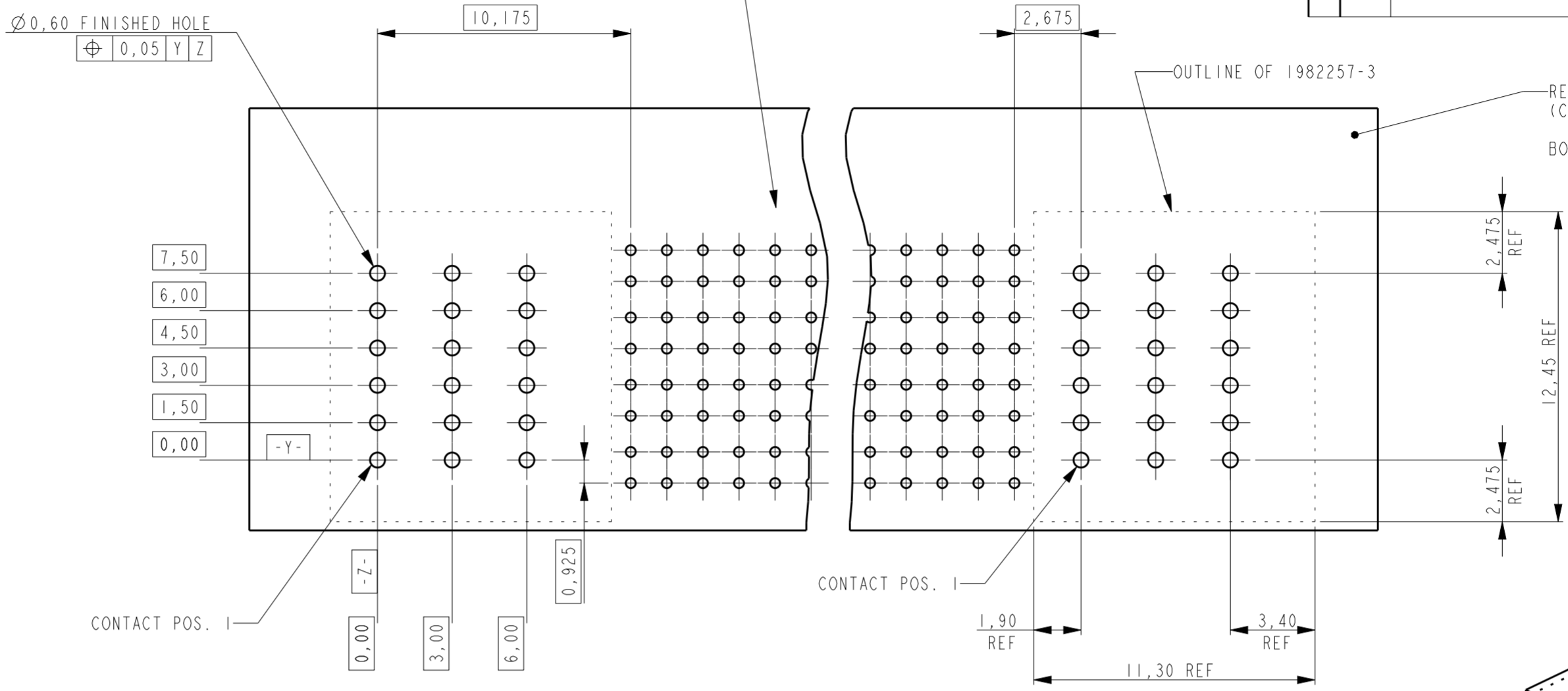
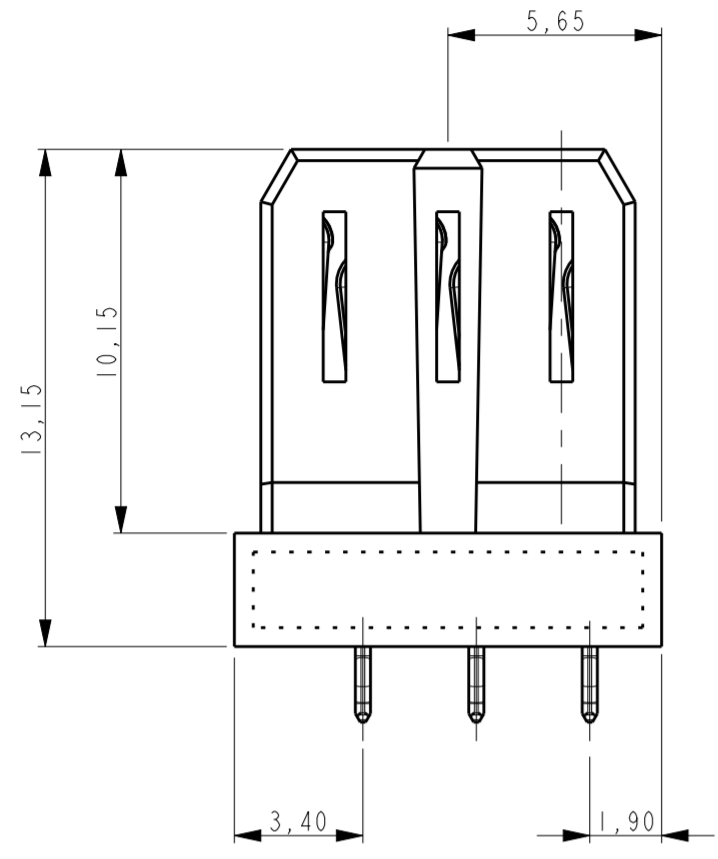
THIS DRAWING IS A CONTROLLED DOCUMENT FOR TYCO ELECTRONICS CORPORATION
 IT IS SUBJECT TO CHANGE AND THE CONTROLLING ENGINEERING ORGANIZATION
 SHOULD BE CONTACTED FOR THE LATEST REVISION.

DIMENSIONS:	TOLERANCES UNLESS OTHERWISE SPECIFIED:	DWN	28-MAY-08
mm	0 PLC ±	CHK	R. VOS
	1 PLC ±0,1	CHK	R. DAAMEN
	2 PLC ±0,05	APVD	R. V.D. SANDT
	3 PLC ±0,025	PRODUCT SPEC	108-19367
	4 PLC ±	APPLICATION SPEC	114-19122
MATERIAL	ANGLES ±2°	WEIGHT	-
	FINISH	CUSTOMER DRAWING	

2	RECEPTACLE HOUSING	LCP 30% GF NATURAL
1	RECEPTACLE CONTACT	COPPER ALLOY
ITEM NO.	DESCRIPTION	MATERIAL
Tyco Electronics Corporation 's-Hertogenbosch, Nederland		
NAME		
RECEPTACLE ASSEMBLY VERTICAL Z-PACK SLIM UHD POWER		
SIZE	CAGE CODE	DRAWING NO
A2	00779	C-1982257
RESTRICTED TO		
SCALE 5:1		SHEET 1 OF 2
		REV A

THIS DRAWING IS UNPUBLISHED. RELEASED FOR PUBLICATION
 © COPYRIGHT - BY TYCO ELECTRONICS CORPORATION. ALL RIGHTS RESERVED.

LOC		DIST		REVISIONS			
P	LTR	DESCRIPTION	DATE	DWN	APVD		
-	-	SEE SHEET 1	-	-	-		



NOTES:
 1 PLATING: 0,5µm MIN. TIN OVER NICKEL.
 2 PLATING IN CONTACT AREA
 1,27 µm MIN. Au OVER 1,27µm MIN. Ni

1982257-3 AS SHOWN

2	RECEPTACLE HOUSING	LCP 30% GF NATURAL
1	RECEPTACLE CONTACT	COPPER ALLOY
ITEM NO.	DESCRIPTION	MATERIAL
Tyco Electronics Corporation 's-Hertogenbosch, Nederland		
NAME: RECEPTACLE ASSEMBLY VERTICAL Z-PACK SLIM UHD POWER		
SIZE	CAGE CODE	DRAWING NO
A2	00779	C-1982257
RESTRICTED TO		
CUSTOMER DRAWING		SCALE 1:1 SHEET 2 OF 2 REV A

THIS DRAWING IS A CONTROLLED DOCUMENT FOR TYCO ELECTRONICS CORPORATION IT IS SUBJECT TO CHANGE AND THE CONTROLLING ENGINEERING ORGANIZATION SHOULD BE CONTACTED FOR THE LATEST REVISION.		DWN J.VOS 28-MAY-08 CHK R.DAAMEN 28-MAY-08 APVD R.VD.SANDT PRODUCT SPEC 108-19367 APPLICATION SPEC 114-19122 WEIGHT - MATERIAL -
DIMENSIONS:	TOLERANCES UNLESS OTHERWISE SPECIFIED:	
mm	0 PLC ± 1 PLC ±0,1 2 PLC ±0,05 3 PLC ±0,025 4 PLC ± ANGLES ±2° FINISH	

单击下面可查看定价，库存，交付和生命周期等信息

[>>TE Connectivity\(泰科\)](#)