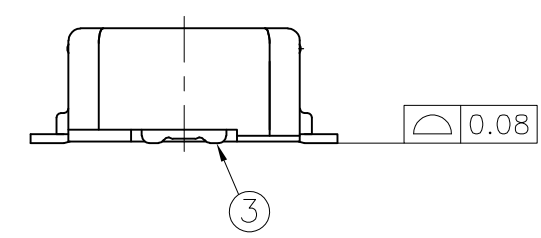
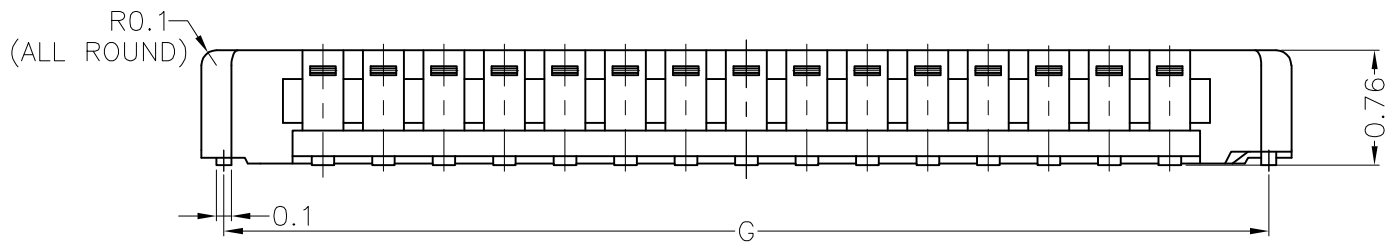
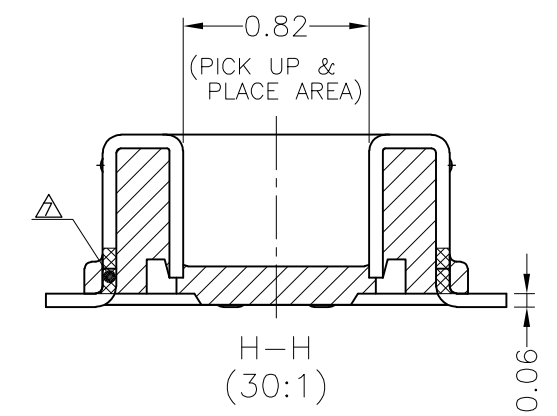
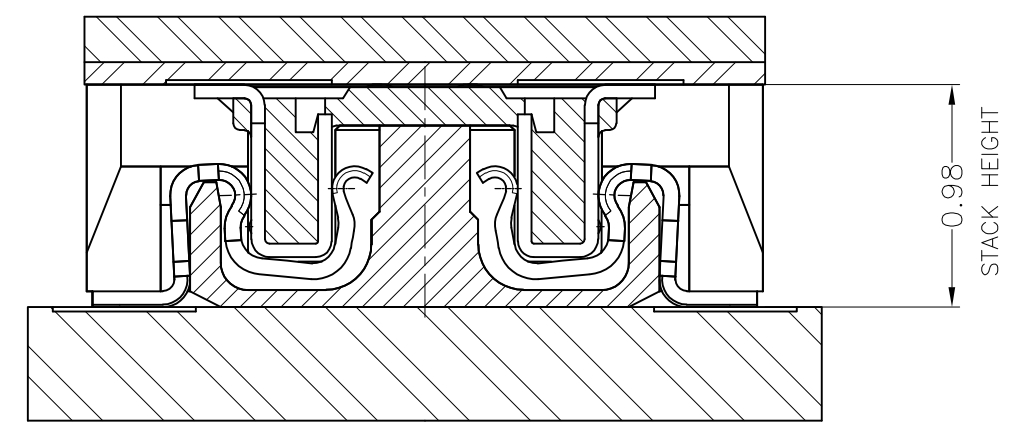
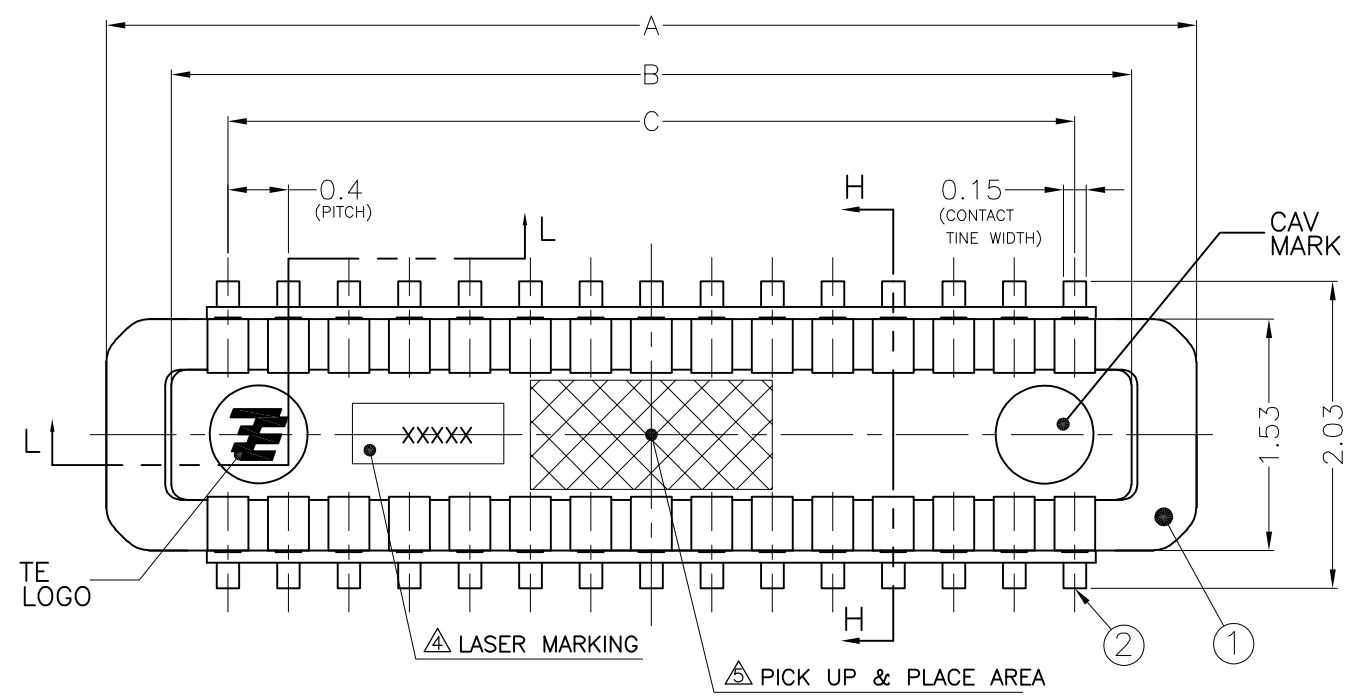


THIS DRAWING IS UNPUBLISHED. RELEASED FOR PUBLICATION  
 © COPYRIGHT - By Tyco Electronics Japan G.K. ALL RIGHTS RESERVED.

LOC	DIST	REVISIONS					
		P	LTR	DESCRIPTION	DATE	DWN	APVD
J	-	A		RELEASED	02AUG2012	C.H	T.K



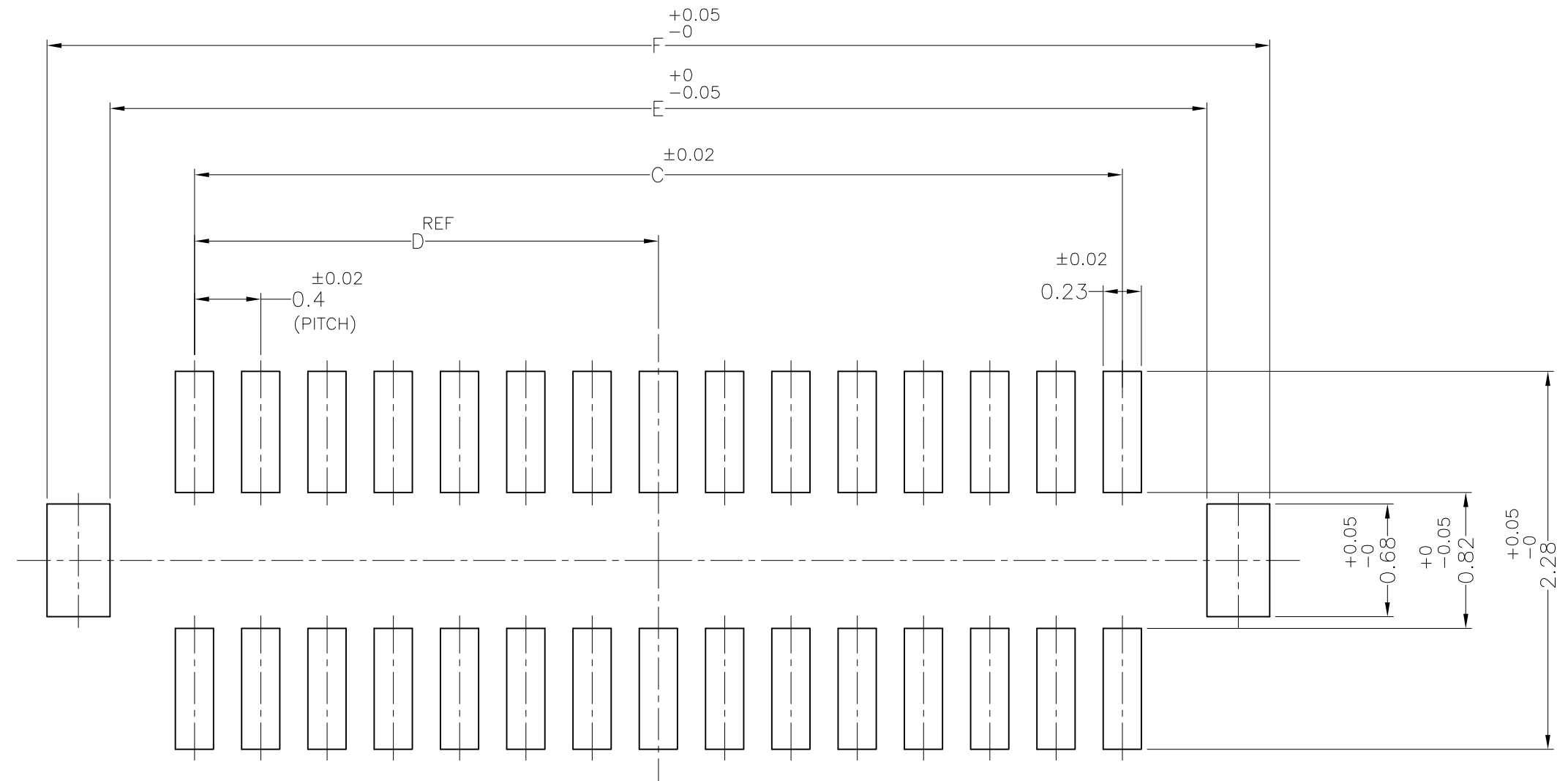
Ni UNDER PL; 0.65um Sn PL.; 2~5um	COPPER ALLOY	PLUG PEG	3
Ni UNDER PL; 0.65um Au PL.(CONTACT AREA); 0.1um MIN. Au PL.(TINE AREA); 0.05um MIN.	COPPER ALLOY	PLUG CONTACT	2
	LCP,UL94V-0,BLACK	PLUG HOUSING	1
△ FINISH	△ MATERIAL	NAME	ITEM NO.

THIS DRAWING IS A CONTROLLED DOCUMENT.

DIMENSIONS: mm	TOLERANCES UNLESS OTHERWISE SPECIFIED:	DWN C.HIKAGE 02AUG2012	TE Connectivity
	0 PLC ± 0.1	CHK A.KUBO 02AUG2012	
	1 PLC ± 0.1	APVD T.KUSUHARA 02AUG2012	
	2 PLC ± 0.1	NAME 0.4mm PITCH STACKING CONNECTOR PLUG ASSEMBLY 0.98mm HEIGHT	
	3 PLC ± 0.1	PRODUCT SPEC 108-78916	SIZE A3
	4 PLC ± 0.1	APPLICATION SPEC 411-78379	CAGE CODE 00779
	ANGLES ± 3°	WEIGHT	DRAWING NO C-2201196
MATERIAL △	FINISH △	CUSTOMER DRAWING	RESTRICTED TO -
		SCALE 20:1	SHEET 1 OF 3
			REV A

THIS DRAWING IS UNPUBLISHED. RELEASED FOR PUBLICATION  
 © COPYRIGHT - By Tyco Electronics Japan G.K. ALL RIGHTS RESERVED.

LOC	DIST	REVISIONS					
J	-	P	LTR	DESCRIPTION	DATE	DWN	APVD
		-		SEE SHEET 1	-	-	-



⑥ REFERENCE PCB LAYOUT  
 (VIEWED FROM MOUNTING SIDE)

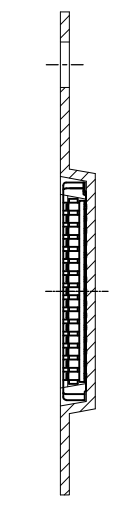
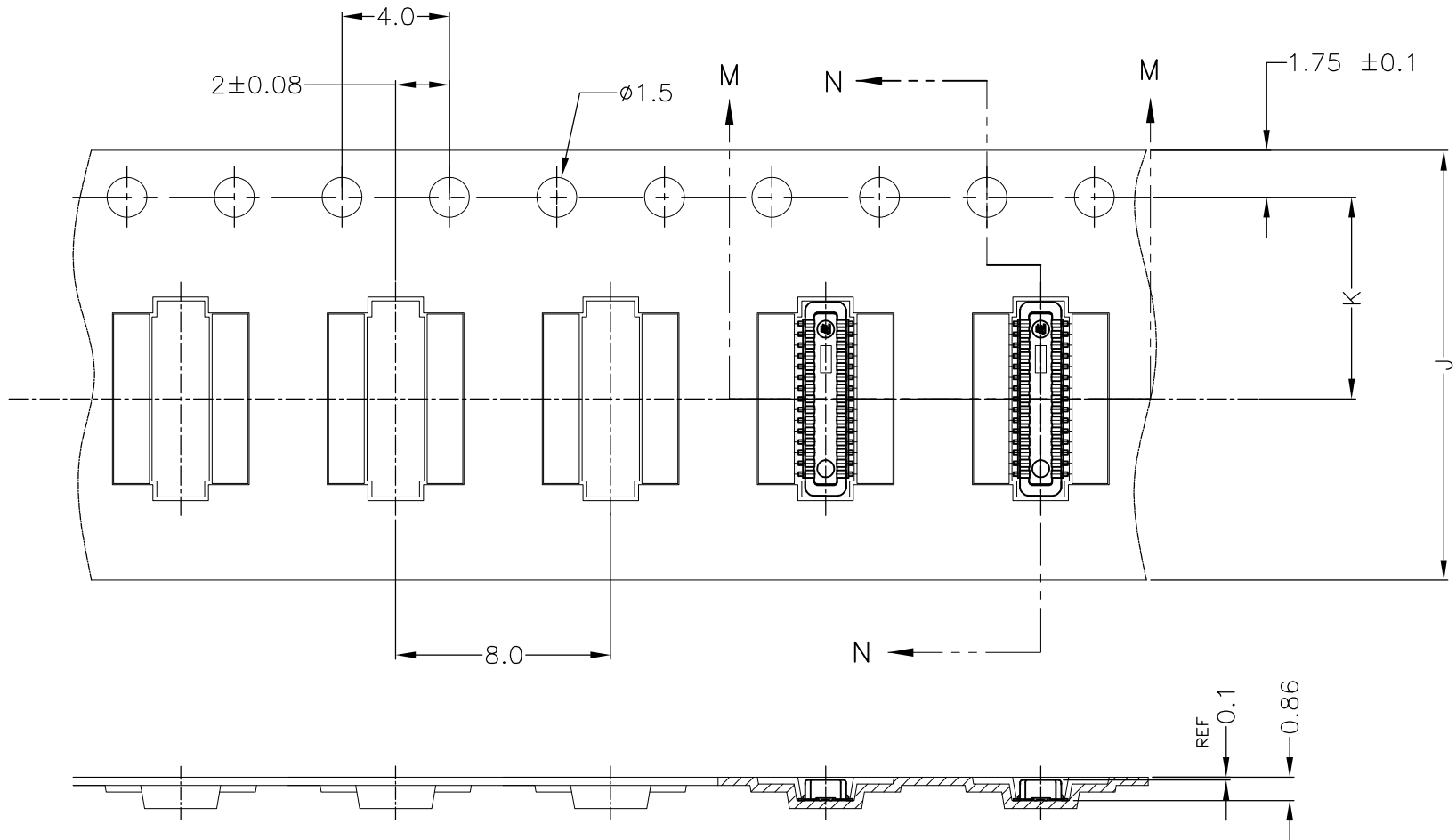
- NOTE
- ① MATERIAL REFER TO THE TABLE.
  - ② FINISH REFER TO THE TABLE.
  - 3. MATING CONNECTOR : P/N: \*-2201197-\*
  - ④ LASER MARKING; XXXXX  
DATE CODE MACHINE CODE (YWW)
  - ⑤ PICK UP THE CONNECTOR AT CENTER
  - ⑥ RECOMMENDED METAL MASK; THICKNESS 0.1mm
  - ⑦ Ni DAM AREA

THIS DRAWING IS A CONTROLLED DOCUMENT.		DWN	TE Connectivity			
DIMENSIONS: mm		CHK				
		APVD				
TOLERANCES UNLESS OTHERWISE SPECIFIED: 0 PLC ± 0.1 1 PLC ± 0.1 2 PLC ± 0.1 3 PLC ± 0.1 4 PLC ± 0.1 ANGLES ± 3°		PRODUCT SPEC				
MATERIAL		FINISH	NAME 0.4mm PITCH STACKING CONNECTOR PLUG ASSEMBLY 0.98mm HEIGHT			
			SIZE	CAGE CODE	DRAWING NO	RESTRICTED TO
			A3	00779	C-2201196	
CUSTOMER DRAWING			SCALE	SHEET	REV	
			NTS	2 OF 3	A	

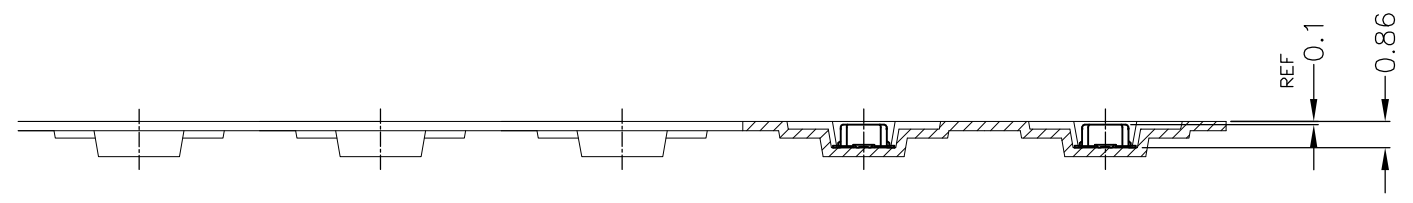
THIS DRAWING IS UNPUBLISHED. RELEASED FOR PUBLICATION  
 © COPYRIGHT - By Tyco Electronics Japan G.K. ALL RIGHTS RESERVED.

LOC	DIST	REVISIONS			
P	LTR	DESCRIPTION	DATE	DWN	APVD
J	-	SEE SHEET 1	-	-	-

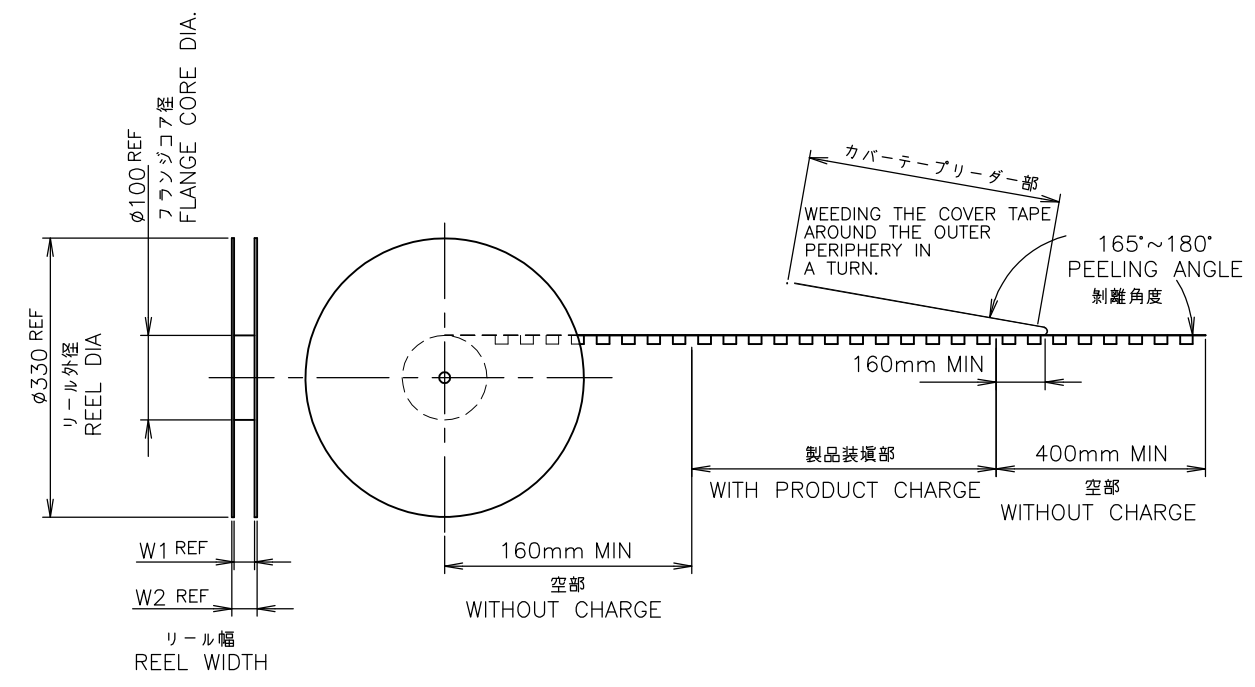
UNREELING DIRECTION



N-N



M-M



741.0	22.1	17.5	7.5	16	6.91	7.38	6.62	2.8	5.6	6.35	7.21	5000	30	3-2201196-0
731.5	22.1	17.5	7.5	16	5.71	6.18	5.42	2.2	4.4	5.15	6.01		24	2-2201196-4
708.5	18.1	13.5	5.5	12	2.91	3.38	2.62	0.8	1.6	2.35	3.21		10	1-2201196-0
REEL WEIGHT(g)	W2	W1	K	J	G	F	E	D	C	B	A	QTY/REEL	Pos.	PART NUMBER

THIS DRAWING IS A CONTROLLED DOCUMENT.

**STE** TE Connectivity

NAME: 0.4mm PITCH STACKING CONNECTOR PLUG ASSEMBLY 0.98mm HEIGHT

SIZE: A3 CAGE CODE: 00779 DRAWING NO: C-2201196 RESTRICTED TO:

MATERIAL: FINISH: WEIGHT: CUSTOMER DRAWING SCALE: NTS SHEET: 3 of 3 REV: A

单击下面可查看定价，库存，交付和生命周期等信息

[>>TE Connectivity\(泰科\)](#)