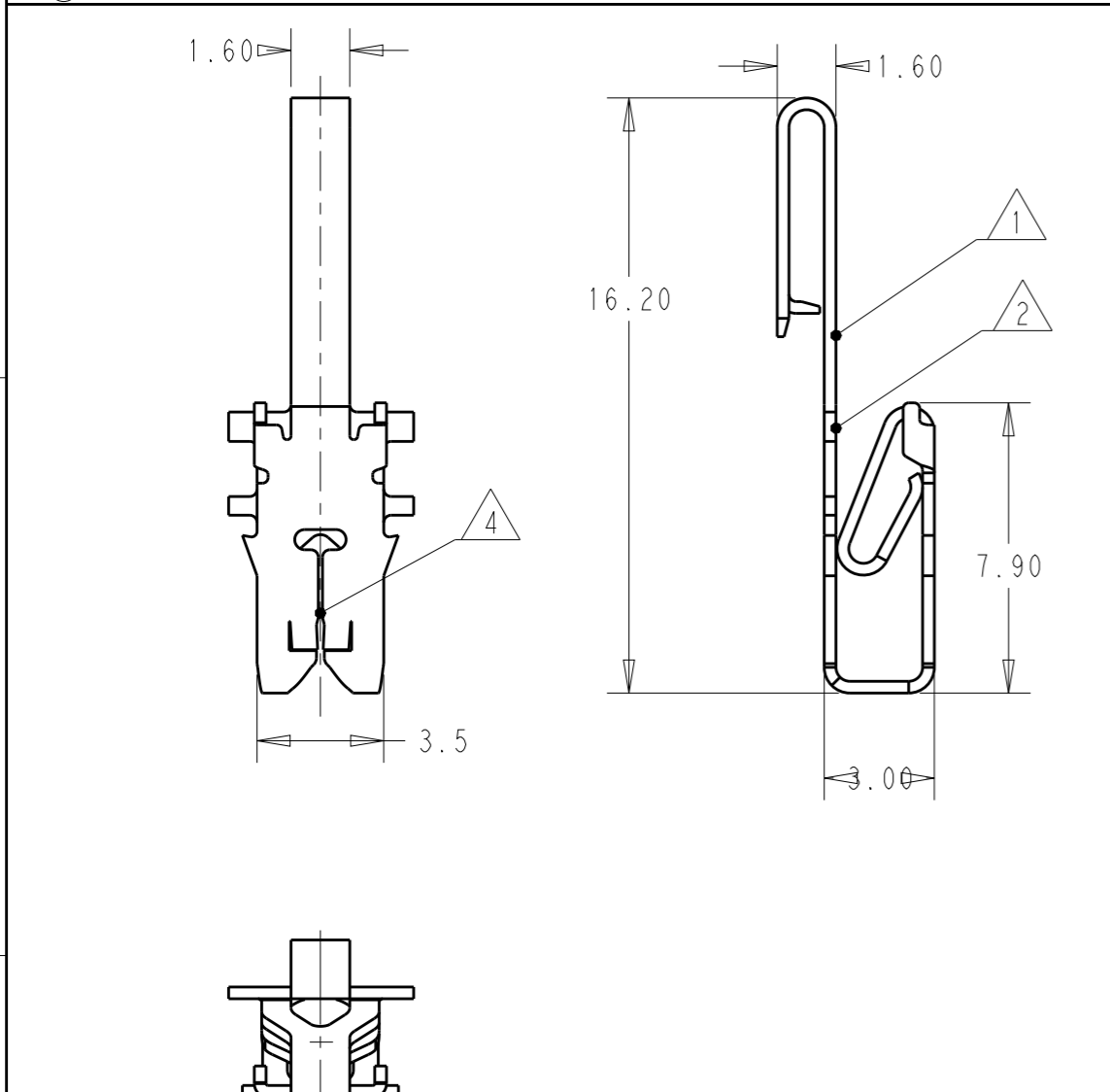
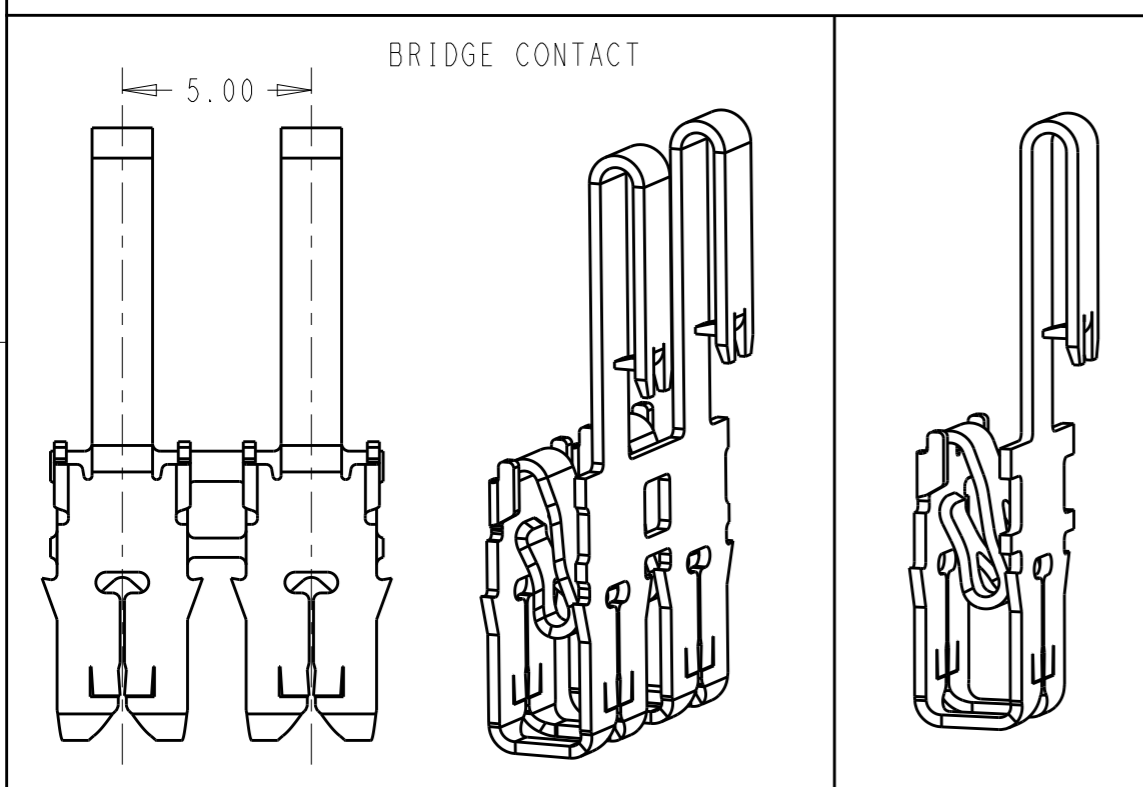
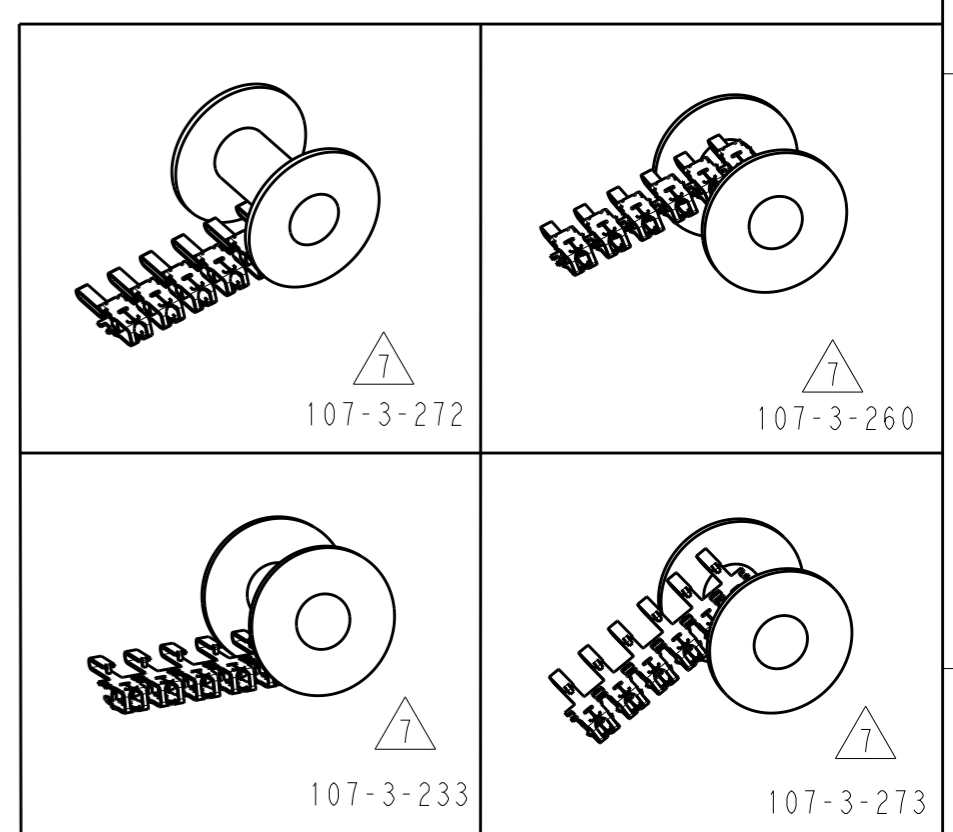


THIS DRAWING IS UNPUBLISHED. RELEASED FOR PUBLICATION
 © COPYRIGHT 20 ALL RIGHTS RESERVED.

LOC	DIST	REVISIONS			
P	LTR	DESCRIPTION	DATE	DWN	APVD
AI	-				
	C2	2-1987143-3 ADDED	30SEP2008	DZ	HB
	D4	OBSOLETE 5-1987143-1	13JAN2020	MB	PKS



- 8. Zwei Draehete gleichen Durchmessers
TWO WIRES OF SAME DIAMETER
- 7. Reeling Richtung
REELING DIRECTION
- 6. Materialdicke 0.32±0.02
STOCK THICKNESS 0.32±0.02
- 5. Werkzeugvorschub : 5mm
DIE FEED : 5mm
- 4. Schlitz geeignet fuer Kupferlackdraht
einfach oder doppelt (gemaeß Tabelle)
SLOT ACCEPTS: SINGLE OR DOUBLE MAGNET WIRE
(SEE TABLE FOR SIZE)
- 3. Kontaktkammer nach
Zeichnung Nr.411-18517
CONTACT CAVITY ACCORDING
DRAWING No. 411-18517
- 2. TE Markenzeichen
TE TRADEMARK
- 1. Kennziffer fuer Lackdrahtbereich
IDENTIFICATION NO. FOR MAGNET WIRE RANGE



ID. MARK	DOUBLE W. WIRE RANGE	SINGLE W. WIRE RANGE	REELING	MATERIAL	PRODUCED FROM	FINISH	PART NO	Par Rev
4	0.180 to 0.265	0.180 to 0.265	107-3-233	CuNiSi	Pre-tin		6-1987143-2	D
					BLANK		6-1987143-1	D
				7 CuZn	Pre-tin		5-1987143-2	D
					BLANK	OBSOLETE	5-1987143-1	D
	107-3-272	8	CuNiSi	2-1987143-1 posttinned 2-6µm. Spec. 112-16-3	OBSOLETE	2-1987143-3	D	
				Pre-tin		2-1987143-2	D	
				BLANK		2-1987143-1	D	
			7 CuZn	Pre-tin	OBSOLETE	1-1987143-2	D	
			BLANK		1-1987143-1	D		

THIS DRAWING IS A CONTROLLED DOCUMENT.

DWN 16-May-07 Praveen K
 CHK 10-July-07 M. Boeffert
 APVD 10-July-07 T. Gerlach

TE Connectivity

MAG-MATE EDGE-LEAF CONTACT

PRODUCT SPEC -
 APPLICATION SPEC -
 WEIGHT -

SIZE A3 CAGE CODE 00779 DRAWING NO. 1987143 RESTRICTED TO -

CUSTOMER DRAWING SCALE 1:1 SHEET 1 OF 1 REV D4

单击下面可查看定价，库存，交付和生命周期等信息

[>>TE Connectivity\(泰科\)](#)