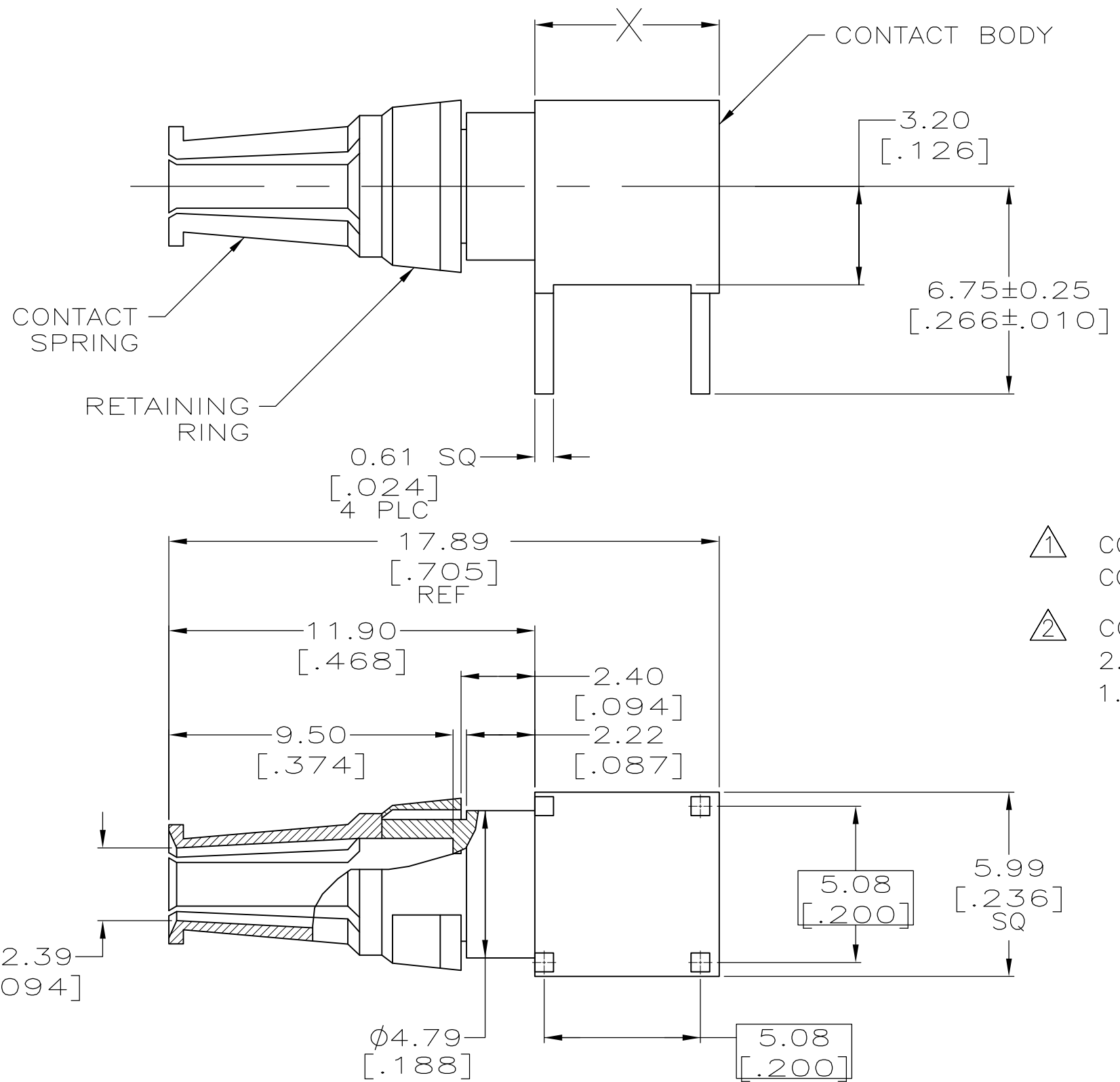


THIS DRAWING IS UNPUBLISHED. RELEASED FOR PUBLICATION
 © COPYRIGHT BY TYCO ELECTRONICS CORPORATION. ALL RIGHTS RESERVED.

LOC	DIST	REVISIONS					
AD	00	P	LTR	DESCRIPTION	DATE	DWN	APVD
			B	REV PER EC 0512-0302-05	05DEC05	BC	GS
			C	ECR-10-019054	15SEP10	DP	MQW



- ① CONTACT SPRING & RETAINING RING: BERYLLIUM COPPER. CONTACT BODY: BRASS.
- ② CONTACT FINISH: $0.76 \mu\text{m} [.000030]$ MIN GOLD IN CONTACT AREA, $2.54 \mu\text{m} [.000100]$ MIN TIN-LEAD IN AREA "X", ALL OVER $1.27 \mu\text{m} [.000050]$ MIN NICKEL.

148534-1
 PART NUMBER

THIS DRAWING IS A CONTROLLED DOCUMENT.		DWN B.CARBO 04 JUN 99		Tyco Electronics Corporation Harrisburg, PA 17105-3608		
DIMENSIONS: INCHES		CHK C.RICHARD 04 JUN 99				
TOLERANCES UNLESS OTHERWISE SPECIFIED: 0-PLC ± .010 ± 0.2 1-PLC ± .010 ± 0.13 [.005] 2-PLC ± .010 ± 0.13 [.005] 3-PLC ± .010 4-PLC ± .010 ANGLES ± .010 FINISH		APVD C.RICHARD 04 JUN 99		NAME		
		PRODUCT SPEC		POWER CONTACT, EUROCARD TYPE M, FEMALE 90 DEG, PRINTED CIRCUIT BOARD MOUNT, MFBL, WITH SOLDER POSTS, (40 AMP)		
		APPLICATION SPEC		SIZE A3	CAGE CODE 00779	DRAWING NO C-148534
MATERIAL		WEIGHT		SCALE 6:1	SHEET 1 OF 1	REV C
①		②		CUSTOMER DRAWING		

单击下面可查看定价，库存，交付和生命周期等信息

[>>TE Connectivity\(泰科\)](#)