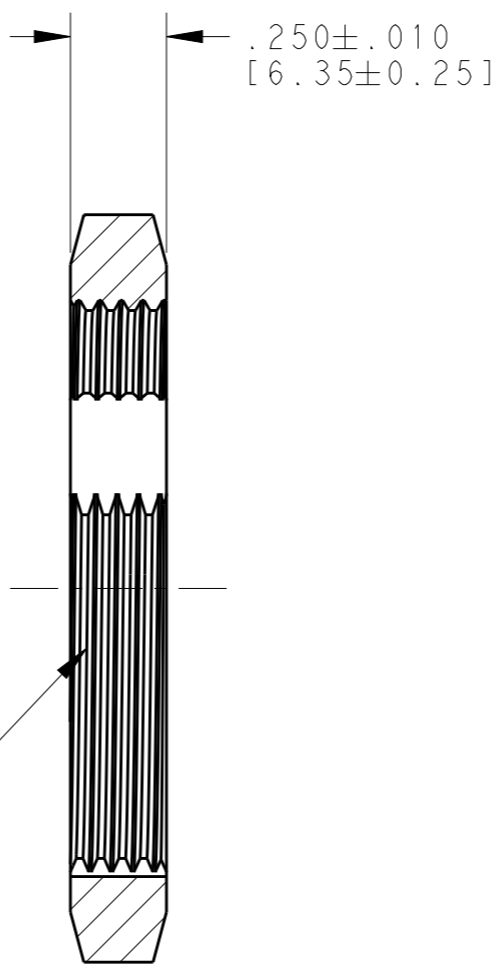
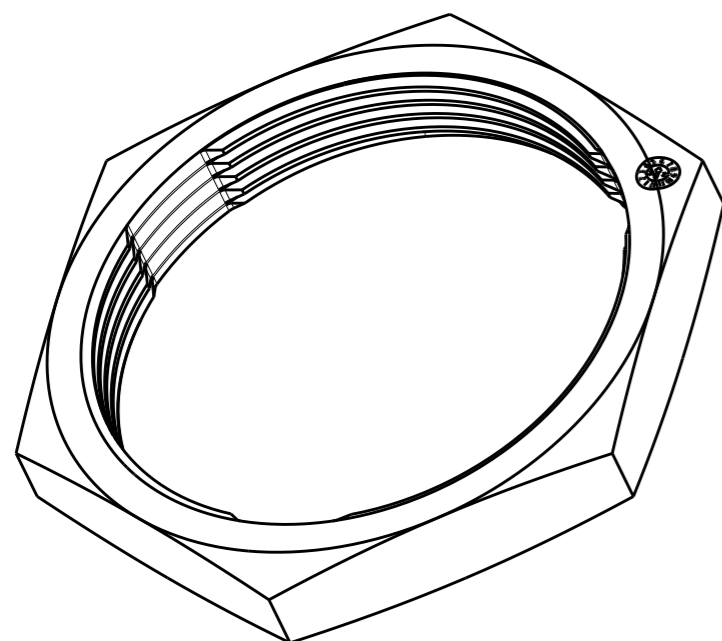
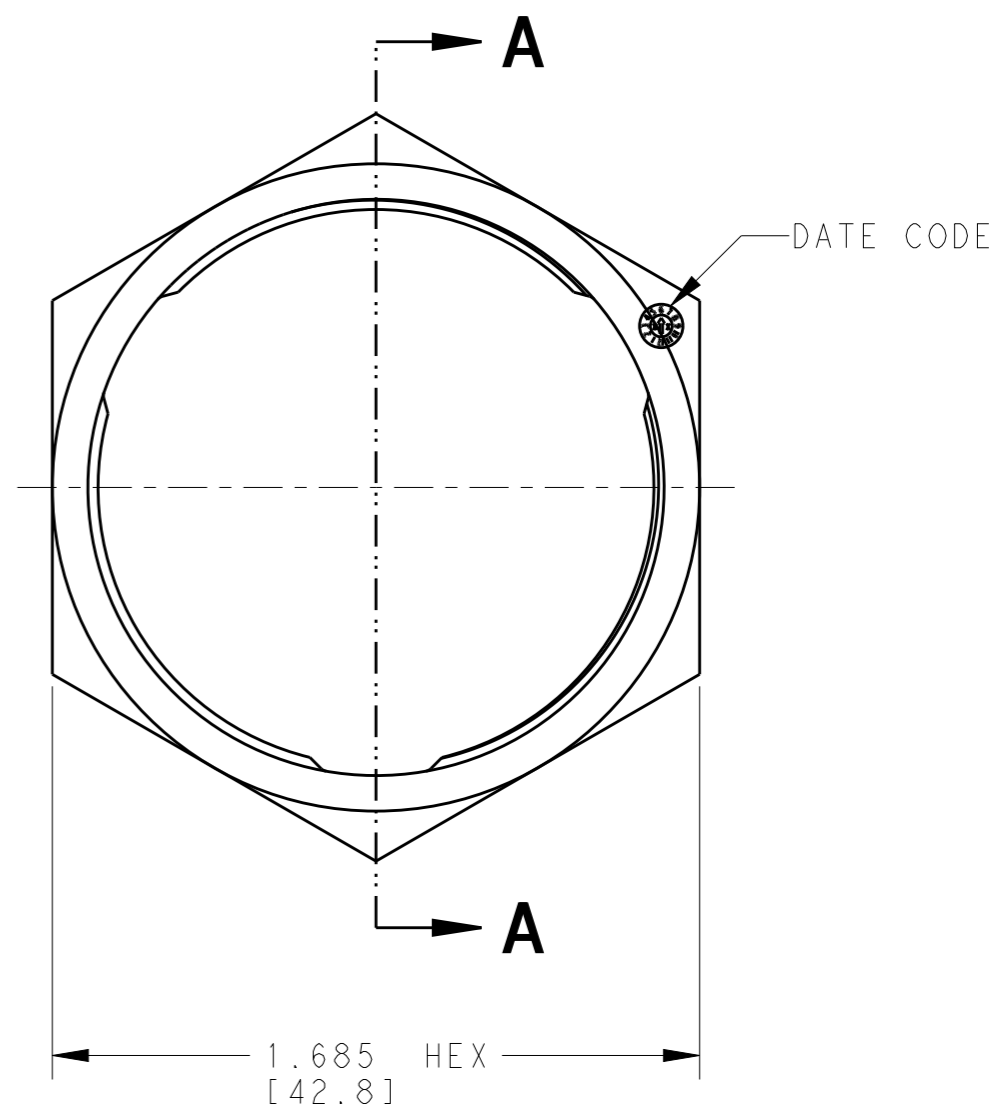


THIS DRAWING IS UNPUBLISHED
 RELEASED FOR PUBLICATION 2014
 © COPYRIGHT 2013 BY TE CONNECTIVITY ALL RIGHTS RESERVED.

LOC	DIST	REVISIONS			
P	LTR	DESCRIPTION	DATE	DWN	APVD
	NC	NEW RELEASE PER E.O. P16488	2-4-00	SB	RDR
	A	REVISED PER ECO-14-011896	8-4-14	JA	DM



SECTION A-A



3. TO BE USED ON HDP SERIES SIZE 18.

2 MATERIAL: PEI 30% GF, BLACK.

1. FOR APPLICATION CHARACTERISTICS SEE DRAWING 0425-021-0000.

NOTES:

THIS DRAWING IS A CONTROLLED DOCUMENT.		DWN 12 JUN 2014 JAIME C. APOSTOL	TE Connectivity				
DIMENSIONS: INCHES [mm]		CHK 04 AUG 2014 ILINA GRANICHAROVA					
TOLERANCES UNLESS OTHERWISE SPECIFIED:		APVD 04 AUG 2014 DAVID MEYER	NAME PLASTIC PANEL NUT FOR RECEPTACLES SIZE 18 HDP SERIES				
0 PLC ± 1 PLC ± 2 PLC ± 3 PLC ±.025 [.64] 4 PLC ± ANGLES ±0°30'0"		PRODUCT SPEC	SIZE	CAGE CODE	DRAWING NO	RESTRICTED TO	
MATERIAL		FINISH	WEIGHT	A3	4AFU8	©=2411-002-1805	
Customer Drawing		SCALE 2:1	SHEET 1 OF 1	REV A			

单击下面可查看定价，库存，交付和生命周期等信息

[>>TE Connectivity\(泰科\)](#)