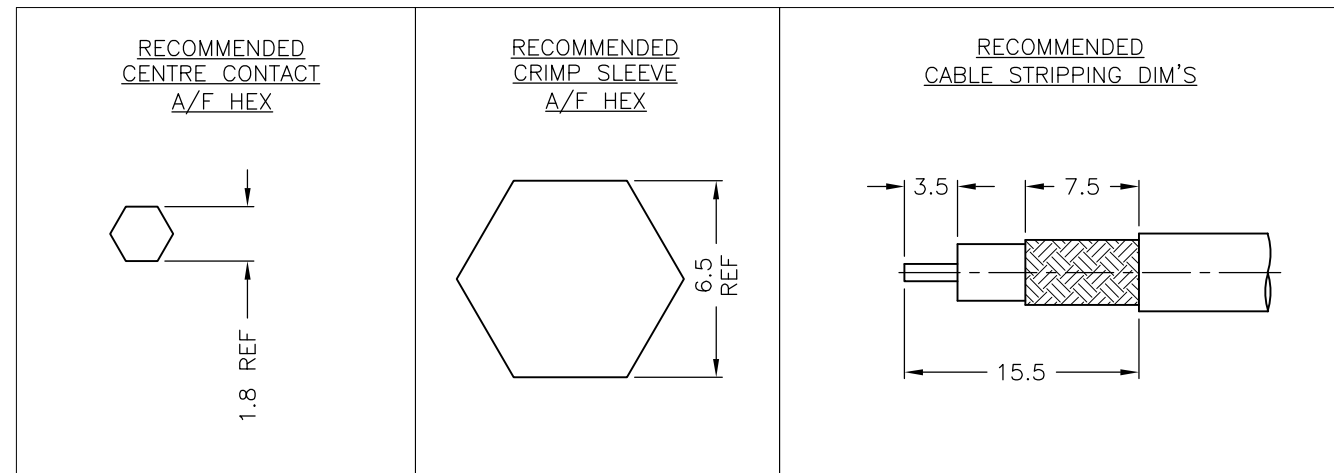
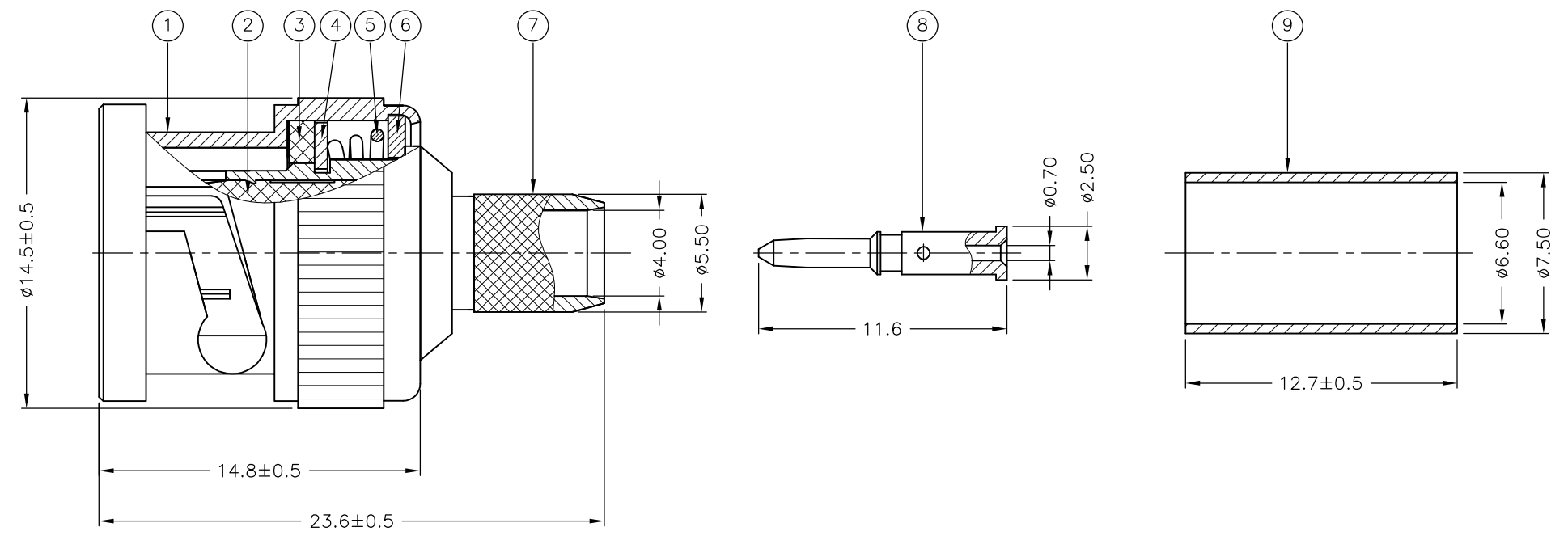


THIS DRAWING IS UNPUBLISHED. RELEASED FOR PUBLICATION NOV , 2005.
 © COPYRIGHT 2005 By - ALL RIGHTS RESERVED.

LOC	DIST	REVISIONS					
E	B	P	LTR	DESCRIPTION	DATE	DWN	APVD
		D		ECR-14-012651	04SEP2014	RZ	MY

- NOTES:**
- ① SINGLE PACKING: ONE CONNECTOR PER LABELED BAG PACKAGED. LABELED PER TEC-107-115
 - ② TRAY PACKAGED
 - ③ Ag PLATING
 - ④ Zn PLATING
 - ⑤ THIS ITEM MUST BE WHITE
 - 6 HAND TOOL : 9-1478240-0
 - 7 DIE SET : 9-1478242-0
 - 8 **ELECTRICAL CHARACTERISTICS**
 FREQUENCY RANGE: DC - 2 GHz
 NOMINAL IMPEDANCE: 75 Ohm
 INSULATION RESISTANCE: 5000 MOhm
 WORKING VOLTAGE: 500 Volts RMS at Sea Level
 DIELECTRIC WITHSTAND VOLTAGE: 1500 Volts RMS Max
 CONTACT RESISTANCE:
 CENTER CONTACT: 1.50 mOhm Max
 OUTER CONTACT: 1.00 mOhm Max
 VSWR @ 2GHz: 1.20:1 Max
 INSERTION LOSS dB @ 2 GHz: 0.20 Max
 - 9 **MECHANICAL CHARACTERISTICS**
 COUPLING RETENTION FORCE: 266 N Min
 CABLE RETENTION FORCE: 170 N Min
 DURABILITY: 500 Cycles Min
 - 10 **ENVIRONMENTAL CHARACTERISTICS**
 OPERATING TEMPERATURE: -65 to +165 DegC



QTY	QTY	MATERIAL	DESCRIPTION	ITEM
1	1	BRASS	FERRULE	9
1	1	BRASS	CONTACT	8
1	1	BRASS	BODY	7
1	1	SK5	WASHER	6
1	1	SPRING STEEL	SPRING	5
1	1	SK5	WASHER	4
1	1	SILICON RUBBER	GASKET	3
1	1	PTFE	DIELECTRIC	2
1	1	BRASS	COLLAR	1
6--0	1--0	MATERIAL	DESCRIPTION	ITEM

THIS DRAWING IS A CONTROLLED DOCUMENT.

DWN	J.SANDWELL	22NOV05
CHK	S.PARLOW	22NOV05
APVD	F.WHEELER-KING	22NOV05
PRODUCT SPEC	108-112000	
APPLICATION SPEC	411-3247	
WEIGHT	-	

STE TE Connectivity

NAME: BNC STRAIGHT PLUG CRIMP 75 OHM
 RG59B/U, 62A/U, 140/U, 210/U, URM90, KX6A, KX25, KX52, KX53

SIZE	CAGE CODE	DRAWING NO	RESTRICTED TO
A3	00779	C-1337429	-

CUSTOMER DRAWING SCALE NTS SHEET 1 OF 1 REV D

单击下面可查看定价，库存，交付和生命周期等信息

[>>TE Connectivity\(泰科\)](#)