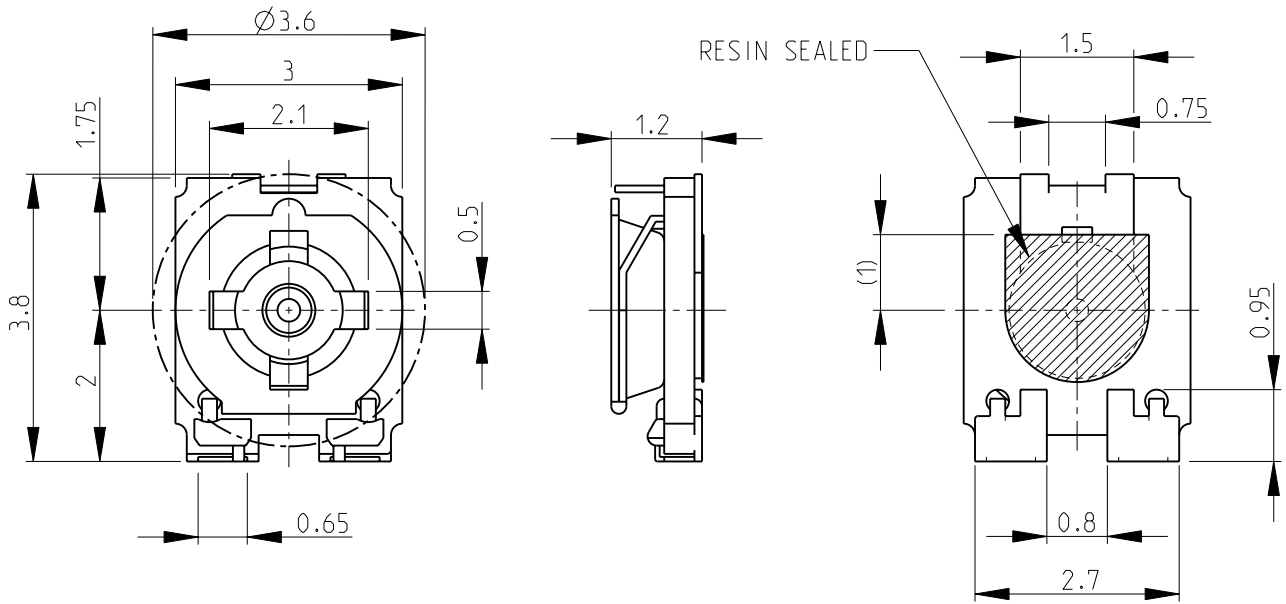
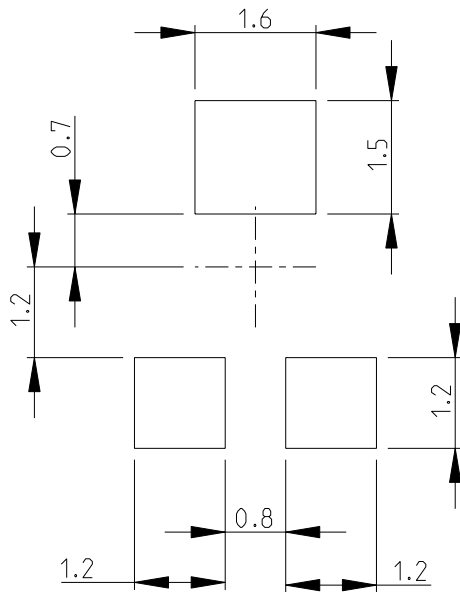


LOC	DIST	REVISIONS					
E	B	P	LTR	DESCRIPTION	DATE	DWN	APVD
			BA	NEW RELEASE	06-AUG-08	SM	St.P

WIPER ROTATING AREA

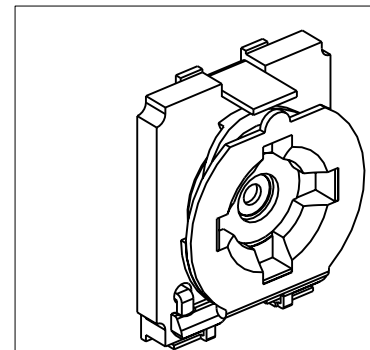


RECOMMENDED LAND PATTERN



FOR FURTHER INFORMATION SEE DATA SHEET FOR
3135 SERIES-SMD ECONOMY TRIMMERS

RoHS Compliant



2008

RELEASED FOR PUBLICATION

THIS DRAWING IS UNPUBLISHED.

BY TYCO ELECTRONICS CORPORATION. ALL RIGHTS RESERVED.

© COPYRIGHT 2008

DIMENSIONS:	DWN	06-AUG-08	MATERIAL	FINISH				
mm	SUBHASH.M		-	-				
TOLERANCES UNLESS OTHERWISE SPECIFIED:	CHK	06-AUG-08	Tyco Electronics Corporation Dorcan, Swindon, SN3 5HH					
0 PLC ± 0.2	PRAKASH.S							
1 PLC ± 0.1	APVD	06-AUG-08	NAME SMD ECONOMY TRIMMERS SERIES 3135					
2 PLC \pm	STEPHEN.P							
3 PLC \pm	PRODUCT SPEC		SIZE	CAGE CODE	DRAWING NO	RESTRICTED TO		
4 PLC \pm	APPLICATION SPEC		A 4	00779	© = 1623919	-		
ANGLES $\pm 5^\circ$	WEIGHT		CUSTOMER DRAWING		SCALE	SHEET	OF	REV
					10:1	1	1	BA

单击下面可查看定价，库存，交付和生命周期等信息

[>>TE Connectivity\(泰科\)](#)