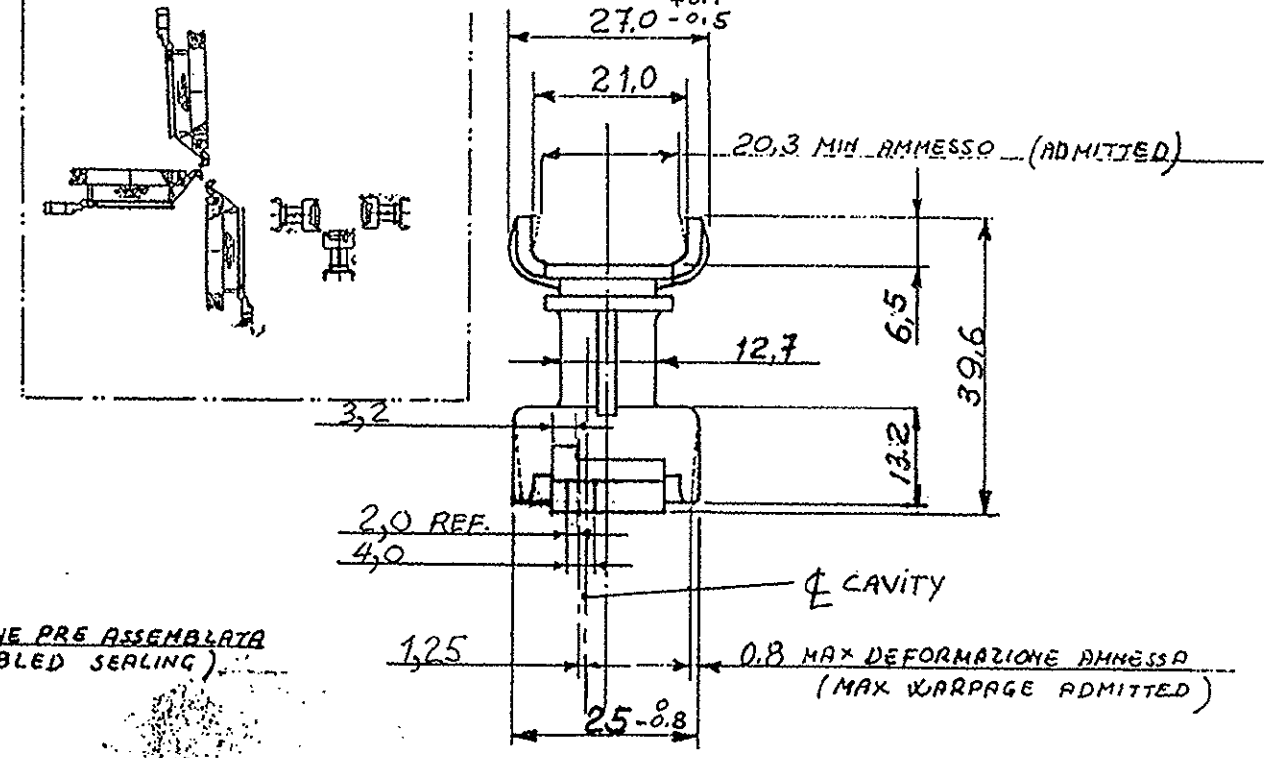
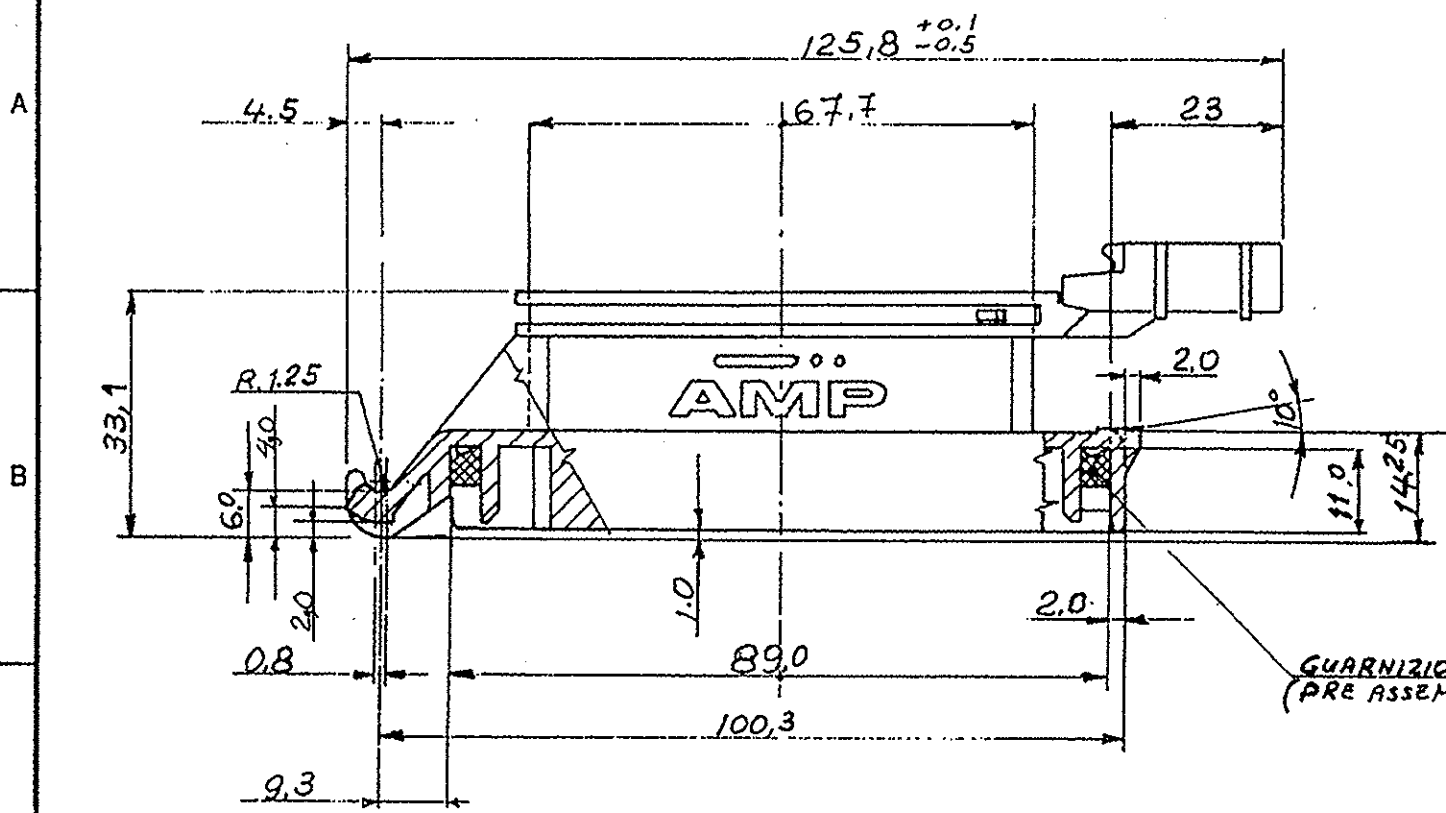
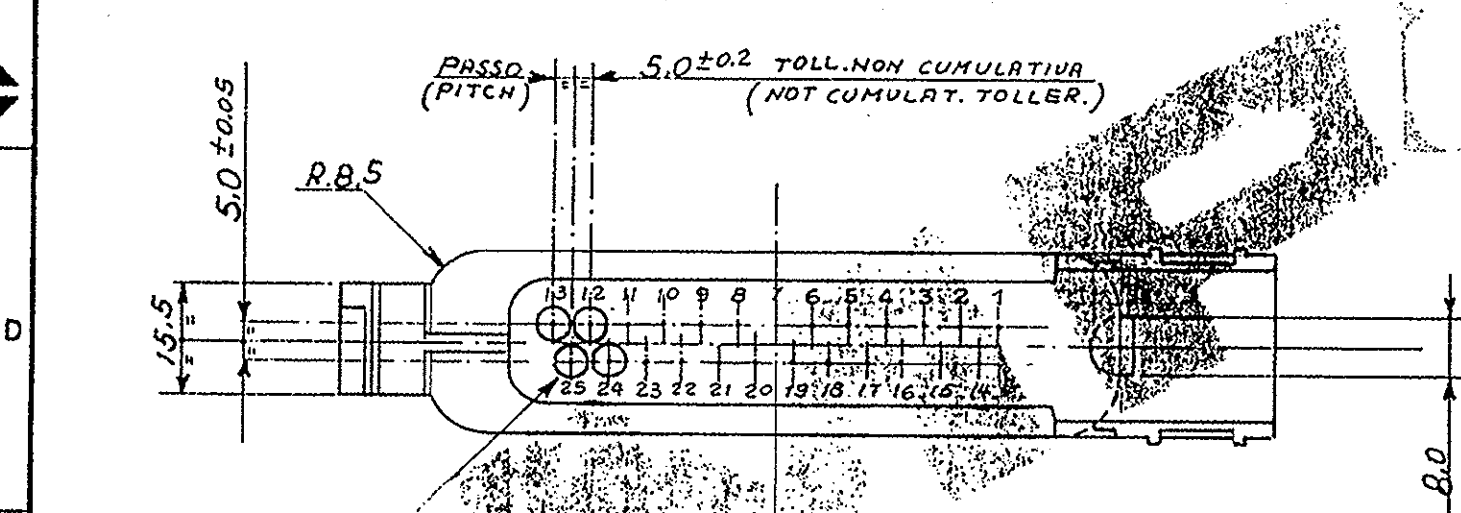


POSIZIONI DI MONTAGGIO PREF. (PREFERENTIAL MOUNTING POS.)

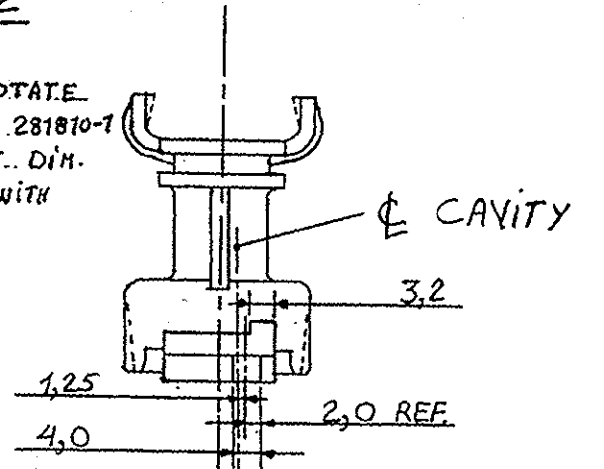


GUARNIZIONE PRE ASSEMBLATA (PRE ASSEMBLED SEALING)



281810-2

PARTI NON QUOTATE IN COMUNE CON 281810-1 (PARTS WITHOUT DIM. ARE COMMON WITH 281810-1)



| | | |
|-------------------------------------|------------------------|----------------------|
| NERO (BLACK) | PA.CARIC. (G.F. PA 66) | 281810-2 |
| NERO (BLACK) | PA.CARIC. (G.F. PA 66) | 281810-1 |
| FINITURA / COLORE (FINISH / COLOUR) | MATERIALE (MATERIAL) | NUMERO (PART NUMBER) |

CUSTOMER DWG. FOR REFERENCE ONLY **DISEGNO PER CLIENTE SOLO PER RIFERIMENTO**

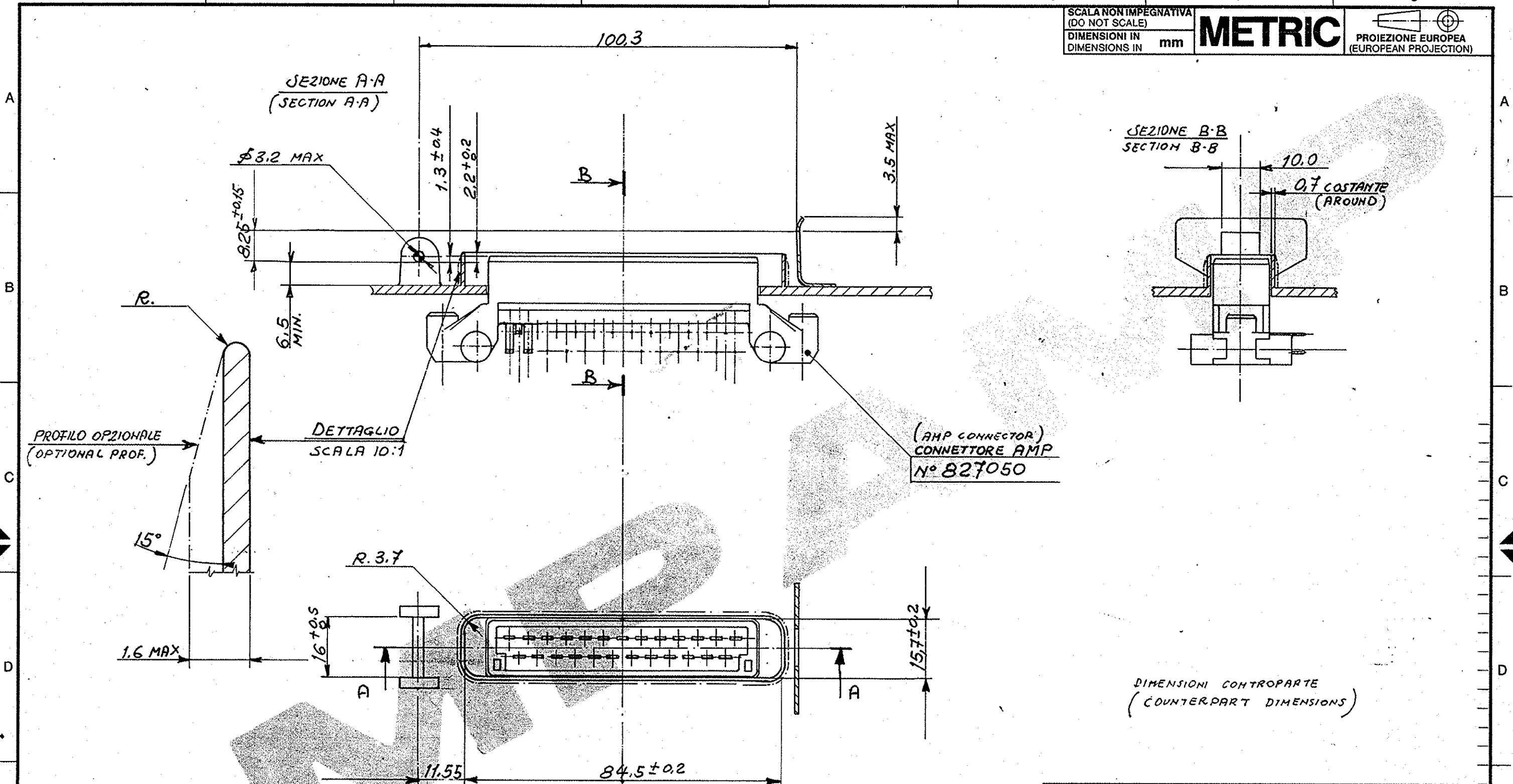
| REV. | REVISIONI (REVISION RECORD) | DATA (DATE) |
|------|-----------------------------|-------------|
| 6 | REVISIONATO | 22/07/86 |
| 5 | REVISIONATO | 22/07/86 |
| 4 | REVISIONATO | 13/07/86 |
| 3 | Aggiorn. foglio 2 | 14/07/86 |
| 2 | N° DIS. ERA IA-86-5005 | 17/07/86 |
| 1 | REVISIONATO E RIDISEGN. | 17/07/86 |

| | | | |
|--|----------------------------------|-------------------------|---------------|
| THIS DRAWING IS UNPUBLISHED | | RELEASE FOR PUBLICATION | 18 |
| © COPYRIGHT 1986 BY AMP INCORPORATED, HARRISBURG, PA ALL INTERNATIONAL RIGHT RESERVED AMP PRODUCTS MAY BE COVERED BY U.S. AND FOREIGN PATENT AND/OR PATENT PENDING | | | |
| TOLLERANZE: SE NON DIVERSAMENTE SPECIFICATO (TOLERANCES UNLESS OTHERWISE SPECIFIED) | DIAM. ISOLANTE (INS. DIA. RANGE) | RANGO FILO (WIRE RANGE) | SCALA (SCALE) |
| ± 0.3 | 11 | 11 | 1:1 |

| | | | |
|---------------------------|-----------------|---|----------------|
| AMP | | AMP ITALIA S.p.A. Corso F.lli Cervi, 16 COLLEGNO (TORINO) | |
| DESCRIZIONE (DESCRIPTION) | | 25 POS. SPLASH PROOF | |
| CONT. (CHK) | | 17 LUGLIO 1986 | |
| LOC. (APP.) | NUMERO (DWG NO) | REV. | FOLGIO (SHEET) |
| IA3 | C-281810 | D | 1 OF 2 |

CAVITÀ ADATTA PER CONTATTI JUNIOR TIMER 281822-281823 (CAVITY SUITABLE FOR CONTACTS JUNIOR TIMER AND/OR J.P.T.)
 182730 - 182732 - 182731

CON GUARNIZIONI (WITH RUBBER SEALS)



DIMENSIONI CONTROPARTE
 (COUNTERPART DIMENSIONS)

| FINITURA / COLORE (FINISH / COLOUR) | MATERIALE (MATERIAL) | NUMERO (PART NUMBER) |
|--|--|--|
| CUSTOMER DWG. FOR REFERENCE ONLY | | DISEGNO PER CLIENTE SOLO PER RIFERIMENTO |
| THIS DRAWING IS UNPUBLISHED | | RELEASE FOR PUBLICATION 19 |
| © COPYRIGHT 19 BY AMP INCORPORATED, HARRISBURG, PA ALL INTERNATIONAL RIGHT RESERVED AMP PRODUCTS MAY BE COVERED BY U.S. AND FOREIGN PATENT AND/OR PATENT PENDING | | |
| TOLLERANZE: SE NON DIVERSAMENTE SPECIFICATO (TOLERANCES UNLESS OTHERWISE SPECIFIED) | DIAM. ISOLANTE (INS. DIA. RANGE) | RANGO FILO (WIRE RANGE) |
| ± 0,3 | 1" | 1:1 |
| ANGOLI (ANGLES) ± 2° | AMP AMP ITALIA S.p.A. Corso F.lli Cervi, 15 COLLEGNO (TORINO) | |
| DIS. (DR.) | DESCRIZIONE (DESCRIPTION) 25 POS. SPLASH PROOF (WITH OPT. SEAL) | |
| CONT. (CHK.) | CONN. FOR JUNIOR TIMERC. 90° VERSION | |
| 3 8.25 ± 0.15 era 8.25 ± 0.1 | LOC. SIZE | NUMERO (DWG NO) |
| REV. (APP.) | IA3 | C-281810 |
| REVISIONI (REVISION RECORD) | REV. | FOGLIO (SHEET) |
| DIS. DATA (DR) (DATE) | D | 2 DI 2 (OF) |

DISTRIBUZIONE
(PRINT DIST.)

单击下面可查看定价，库存，交付和生命周期等信息

[>>TE Connectivity\(泰科\)](#)