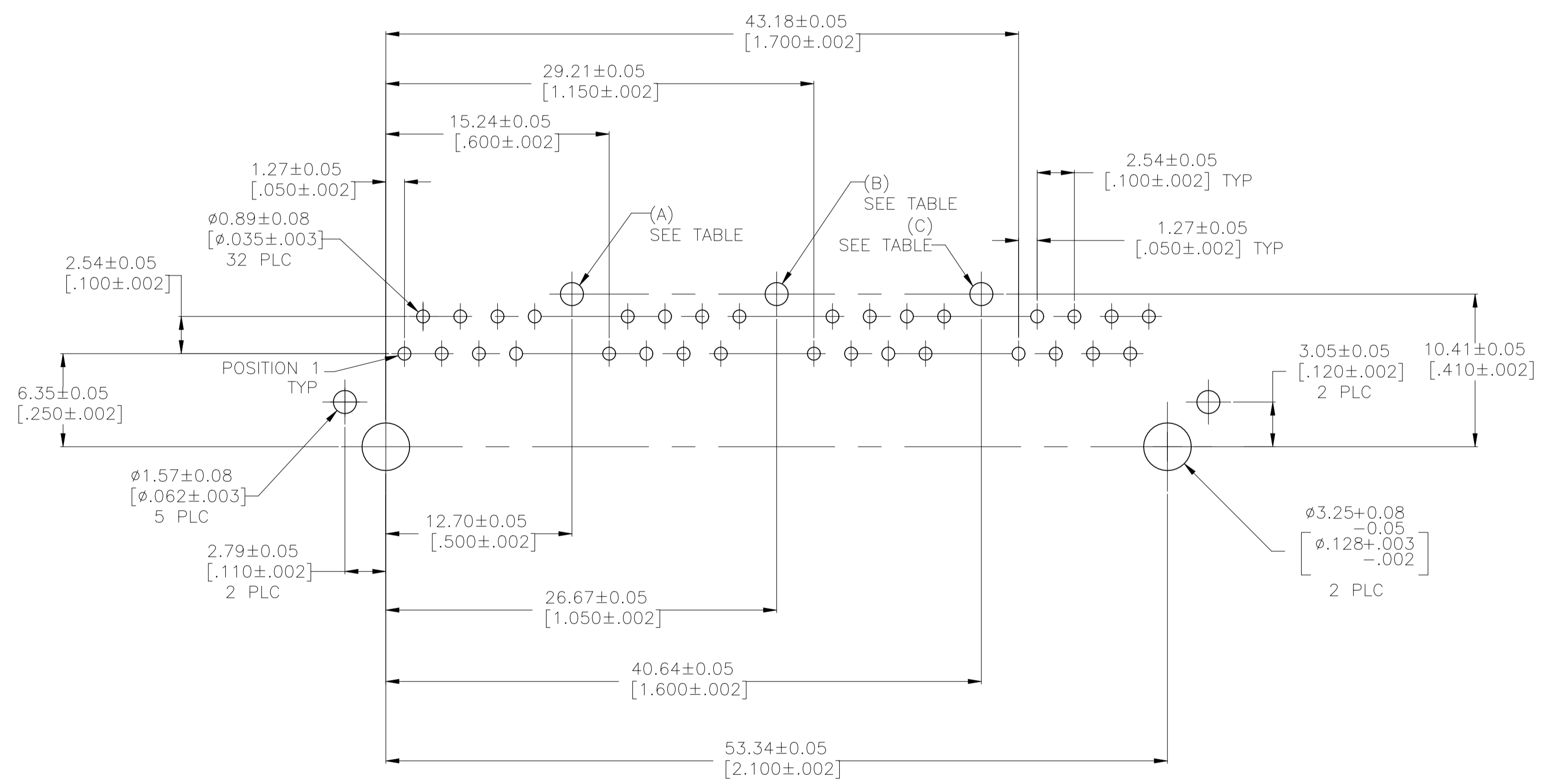
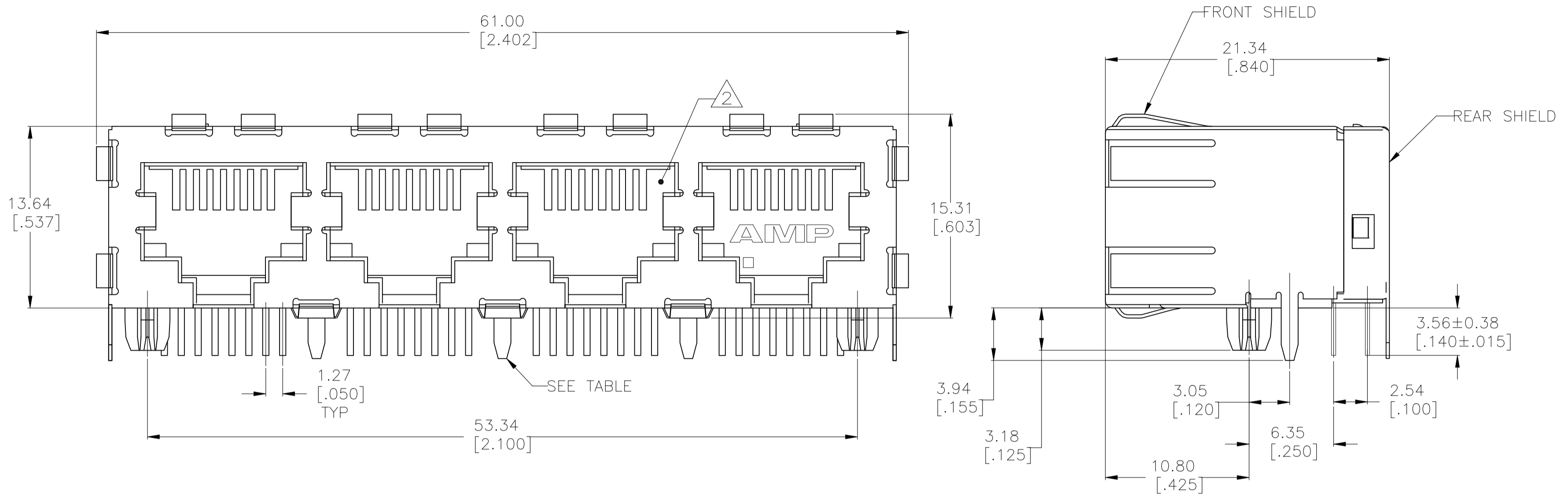


REVISIONS				
REV	DESCRIPTION	DATE	BY	APP'D
C3	ECR-19-014657	13DEC2020	RR	SZ



RECOMMENDED PC BOARD LAYOUT
COMPONENT SIDE

- MATERIAL: HOUSING - NYLON, COLOR: BLACK, UL 94V-0.
OVERMOLDED TERMINAL ARRAY - PBT, BROWN.
TERMINALS - 0.33[.013] THICK PHOS BRONZE
PLATED WITH 1.27μm[.000050] MINIMUM HARD
GOLD IN LOCALIZED AREA AND 3.81μm[.000150]
MINIMUM TIN IN SOLDER AREA OVER 1.27μm
[.000050] MINIMUM NICKEL UNDERPLATE.
SHIELD - 0.254[.010] THICK COPPER ALLOY PLATED
WITH 1.27μm[.000050] MINIMUM NICKEL AND
2.03μm[.000080] MINIMUM HOT TIN DIP ON PCB GROUND TABS.

- ⚠ JACK CAVITY CONFORMS TO FCC RULES AND REGULATIONS, PART 68 SUBPART F.
- ⚠ OBSOLETE PARTS: OBSOLETE CIS STREAMLINING PER D.RENAUD/D.SINISI

OBSOLETE	(A)	(B)	(C)	ALL THREE	5406281-3
	(B)	(1)	MIDDLE	-	5406281-2
	NONE	NONE	NONE	-	5406281-1
HOLES USED		NO. OF REAR TABS		PART NO.	

THIS DRAWING IS A CONTROLLED DOCUMENT.

DIMENSIONS: mm [INCHES]	TOLERANCES UNLESS OTHERWISE SPECIFIED:	DIN J.ALCORTA/LA.MAYER 170CT2007	NAME S.FLICKINGER 170CT2007
0 PLC ± -	1 PLC ± -	2 PLC ± -	3 PLC ± -
4 PLC ± -	ANGLES ± -		
MATERIAL SEE NOTE 1	FINISH SEE NOTE 1	WEIGHT 0.000000	SIZE A1
CUSTOMER DRAWING		SCALE 4:1	SHEET 1 of 1

MODULAR JACK, 4 PORT, 8 P, SHIELDED, REVERSE PANEL GROUND TABS, CATEGORY 5e

108-1163-2

114-2048

00779

5406281

REV C3

单击下面可查看定价，库存，交付和生命周期等信息

[>>TE Connectivity\(泰科\)](#)