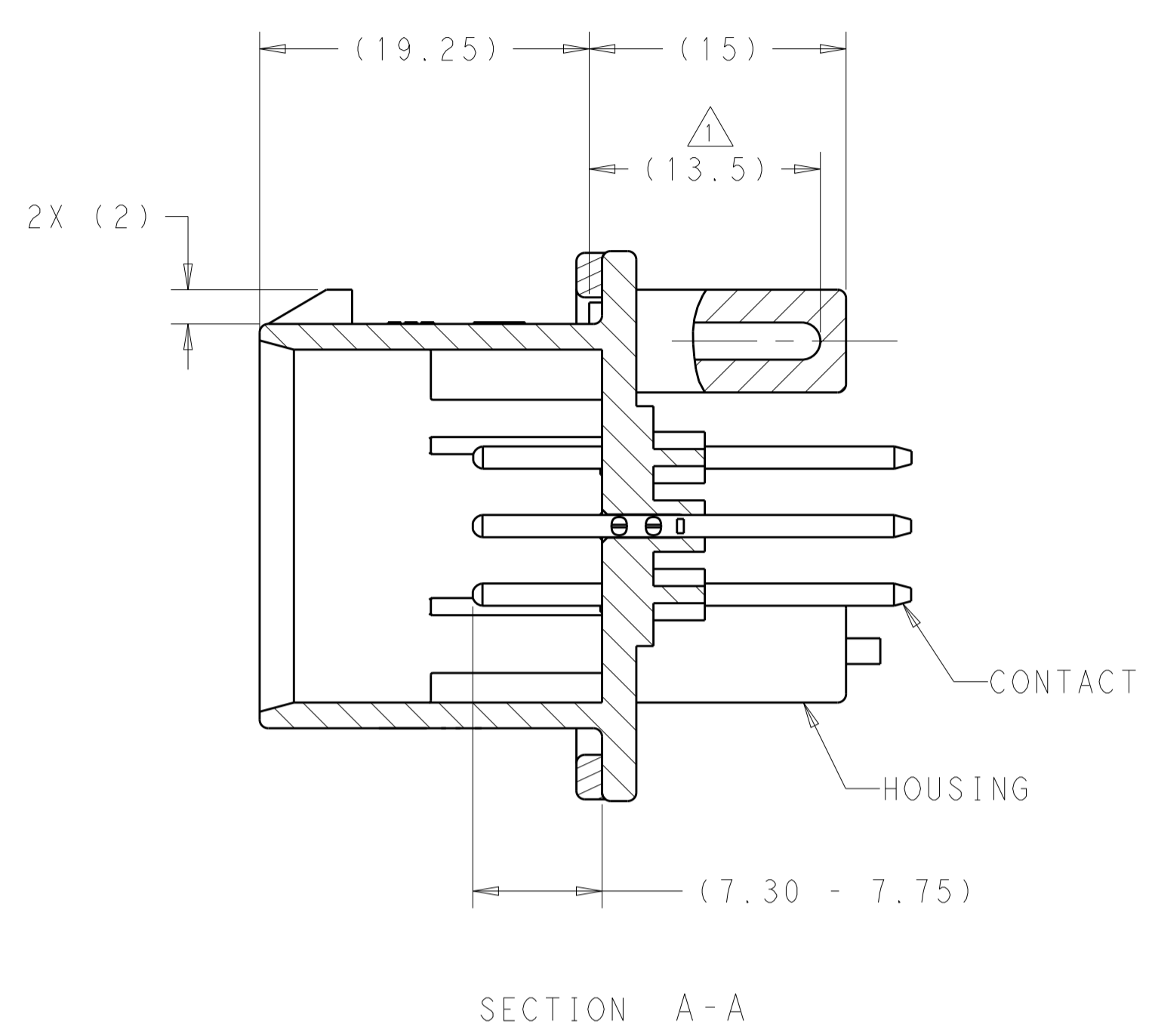
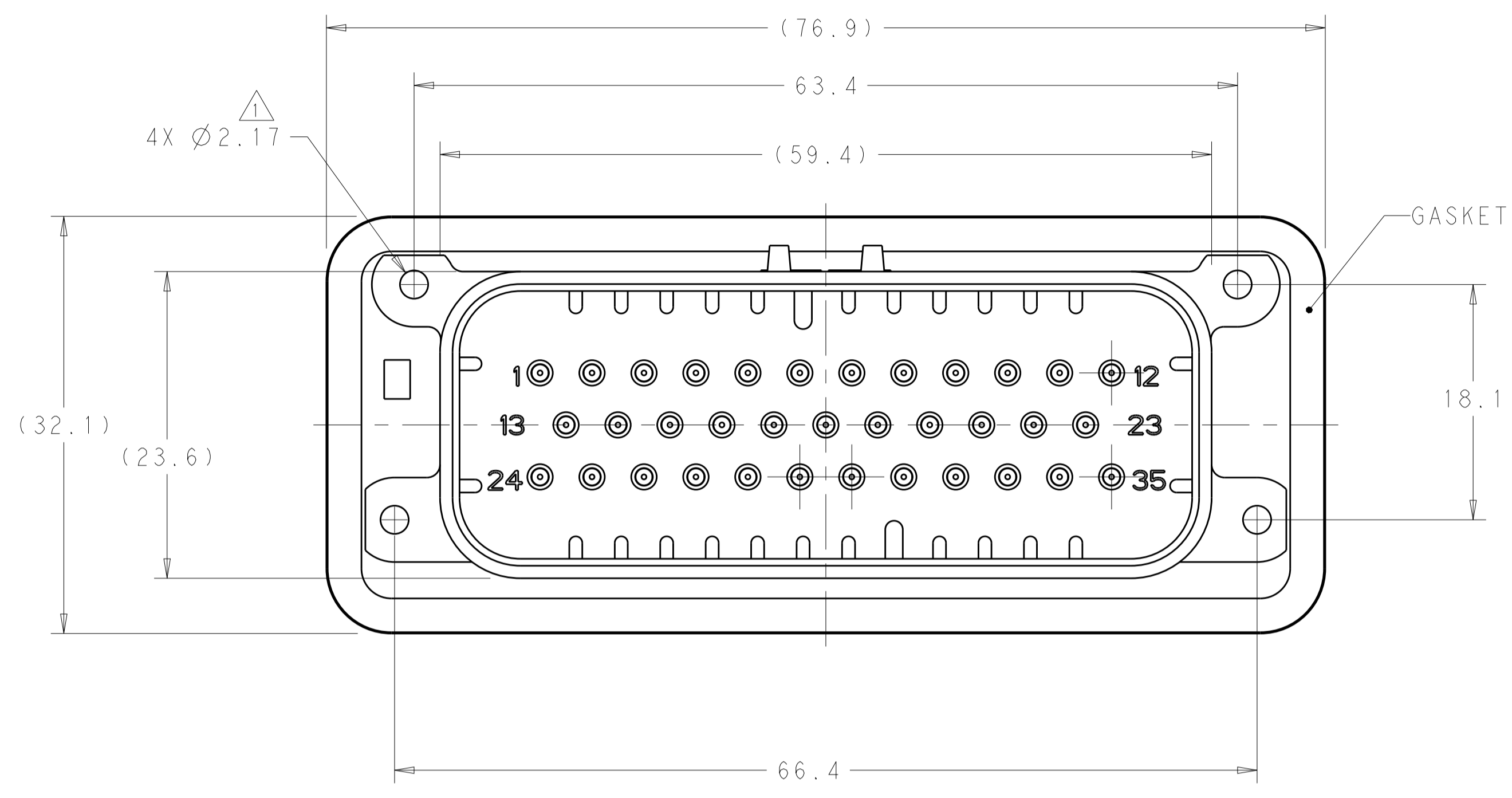
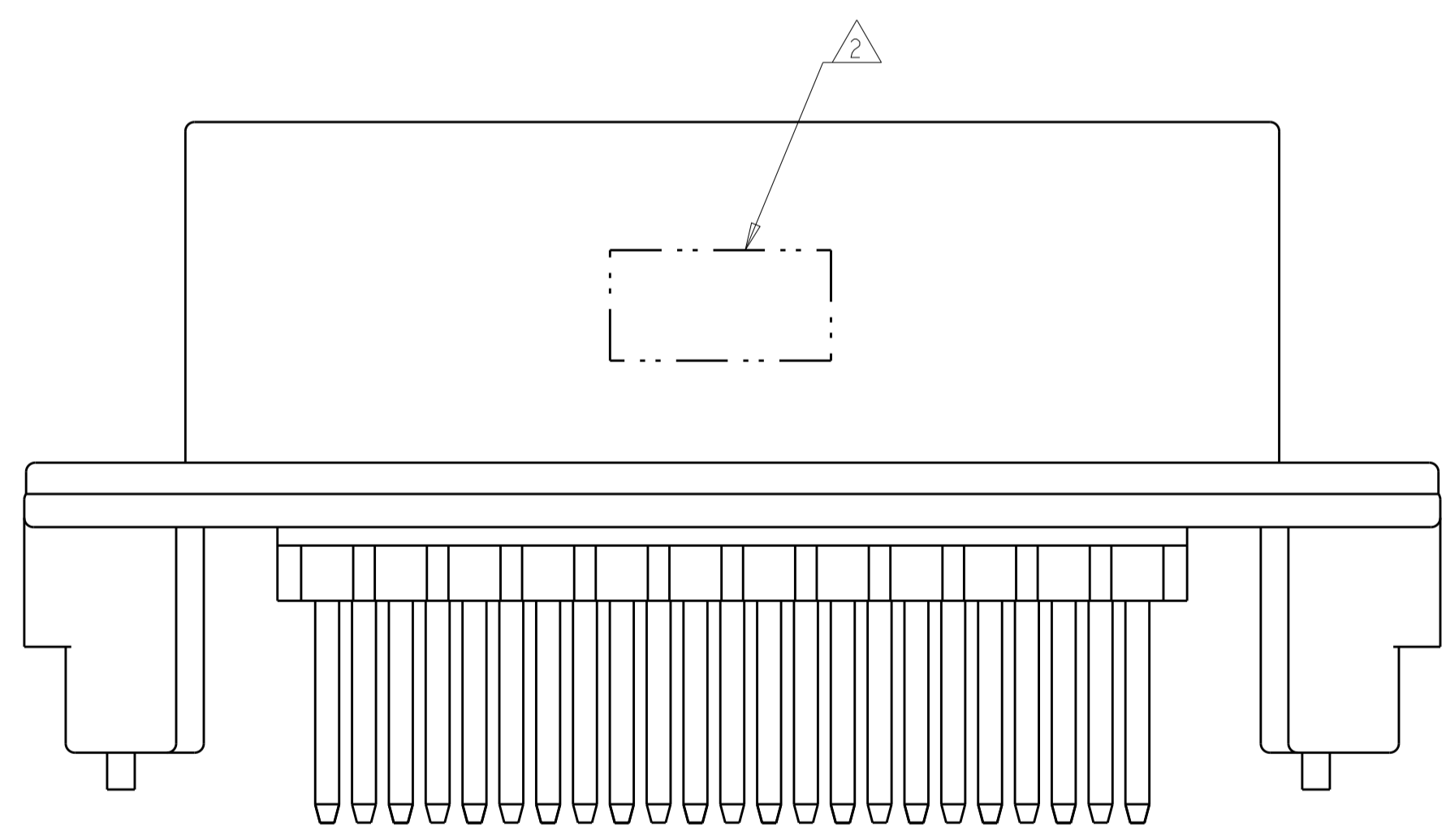


REVISIONS				
P.	LTN	DESCRIPTION	DATE	APVD
A15		REVISED PER ECO-20-004256	25MAR2020	JM DS
A16		REVISED PER PCN E-20-016603	24NOV2020	PN DS
-	-	-	-	-
-	-	-	-	-



- 1 SUGGESTED MOUNTING SCREW SIZE IS $\varnothing 2.50-3.00\text{mm}$ [$\varnothing 0.099 - 0.118$ INCH] SELF TAPPING THREAD FORMING SCREW, SUCH AS DELTA PT, TO BE DRIVEN AT 0.6-0.8 N-m THE CUSTOMER SHOULD TEST THE SCREW SIZE AND TYPE IN ORDER TO VERIFY THEIR SELECTION FOR THEIR APPLICATION
- 2 DATE CODE IN THIS LOCATION USING 5 DIGIT CODE FIRST 2 DIGITS = YEAR, SECOND 2 DIGITS = WEEK LAST DIGIT = DAY.
- 3 MATERIALS: HEADER HOUSING - GLASS FILLED PBT
PINS - TIN OR GOLD PLATED BRASS
GASKET - SILICONE
- 4 HOUSING COLORS ARE MECHANICALLY KEYS TO MATE ONLY WITH IDENTICALLY COLORED PLUG ASSEMBLIES.
- 5. HEADER MATES TO PLUG ASSEMBLY 776164 WHICH USES REELED TERMINAL 770520 OR LOOSE PIECE TERMINAL 770854

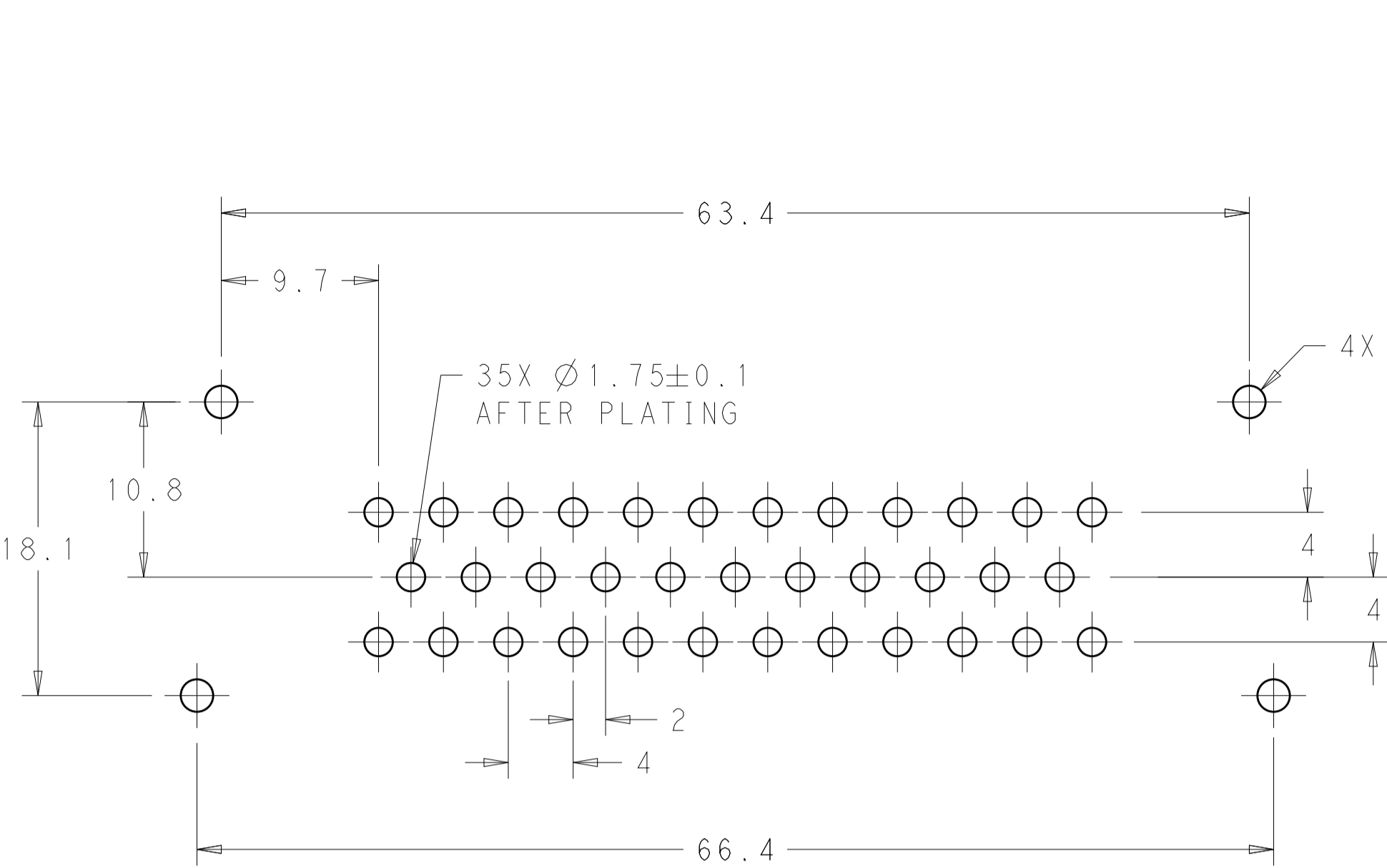


776231-1 & 1-776231-1 SHOWN

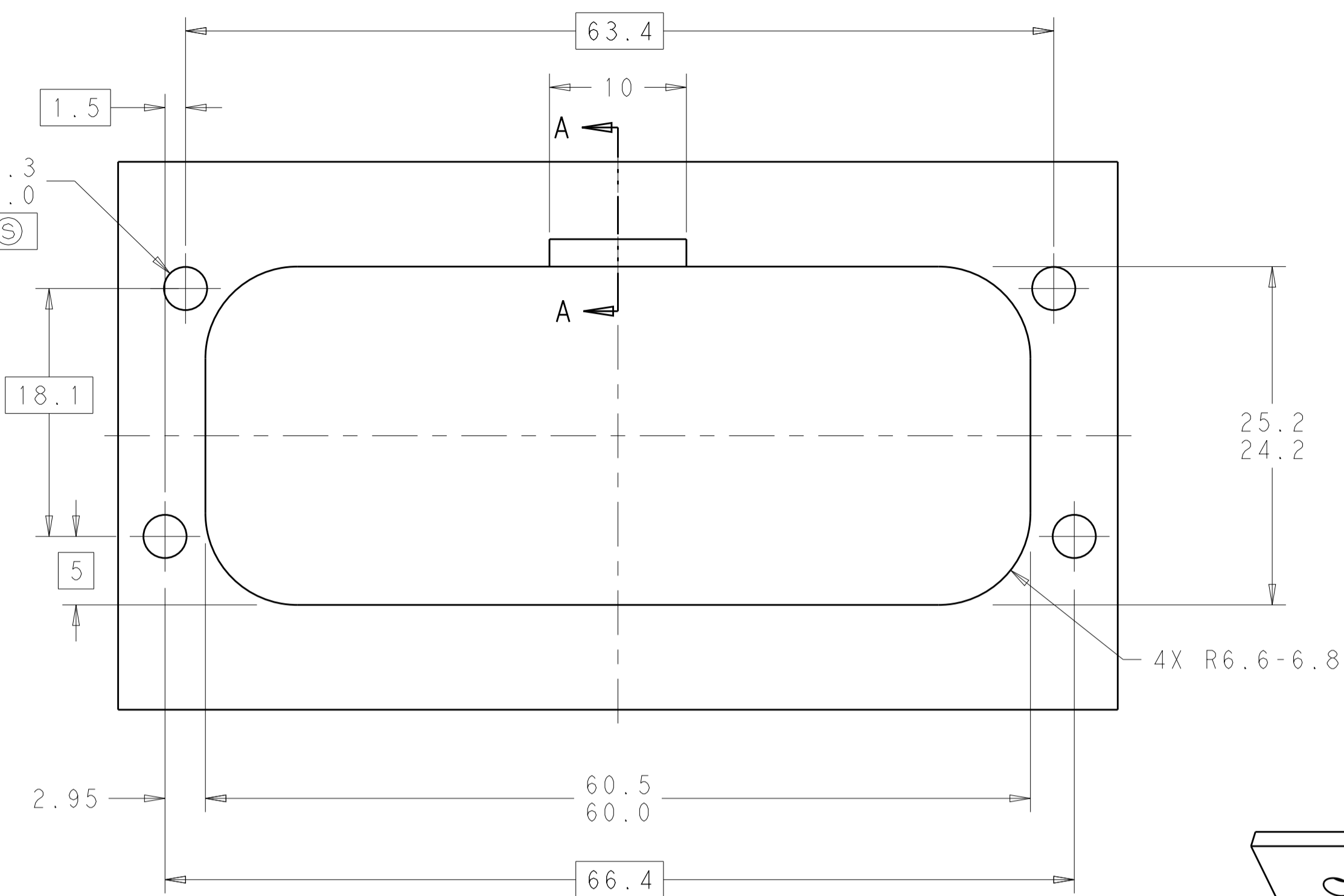
HEADER COLOR	PLATING	PART NUMBER
ORANGE	GOLD	1-776231-6
BLUE	GOLD	1-776231-5
GRAY	GOLD	1-776231-4
NATURAL	GOLD	1-776231-2
BLACK	GOLD	1-776231-1
BLUE	TIN	776231-5
GRAY	TIN	776231-4
NATURAL	TIN	776231-2
BLACK	TIN	776231-1

THIS DRAWING IS A CONTROLLED DOCUMENT.		OWN D. STRAUSSER 05MAR2020	TE Connectivity ASSEMBLY, HEADER, 35 POSITION, VERTICAL, AMPSEAL WITH FLANGE SEAL	
DIMENSIONS:		CHK D. STRAUSSER 22MAR2020		
mm	TOLERANCES UNLESS OTHERWISE SPECIFIED:	APVD D. STRAUSSER 27APR2020	NAME	RESTRICTED TO
0 PLC	±	PRODUCT SPEC	108-1329	
1 PLC	±0.2	APPLICATION SPEC	114-16016	
2 PLC	±	WEIGHT	40.29g	
3 PLC	±	CUSTOMER DRAWING	SCALE 3:1	
4 PLC	±		SHEET 1 OF 2	
ANGLES	±		REV A16	

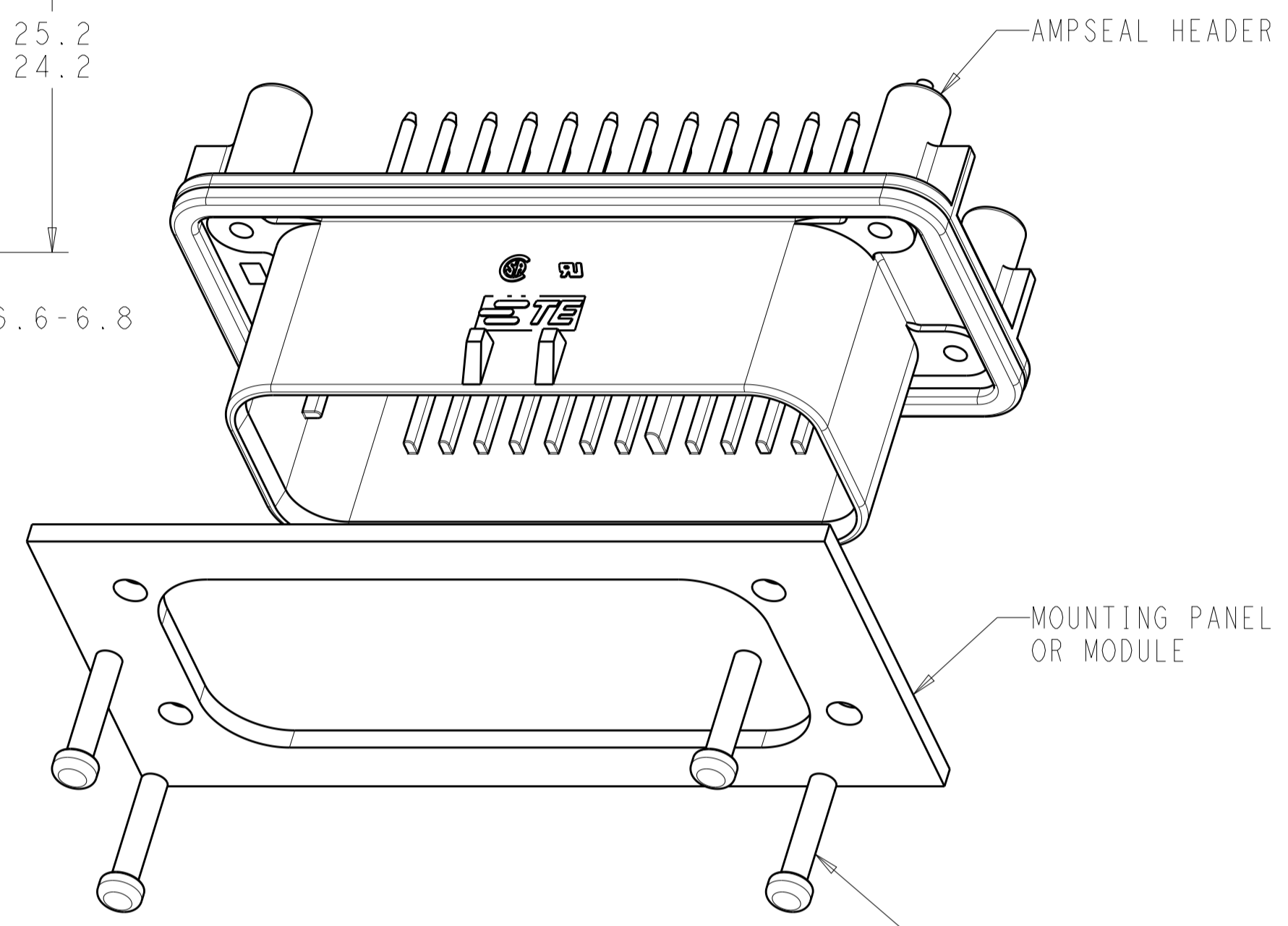
REVISIONS				
P.	LTH	DESCRIPTION	DATE	OWN APVD
-	-	SEE SHEET 1	-	-



RECOMMENDED P.C. BOARD LAYOUT FOR 1.57 THICK P.C. BOARD

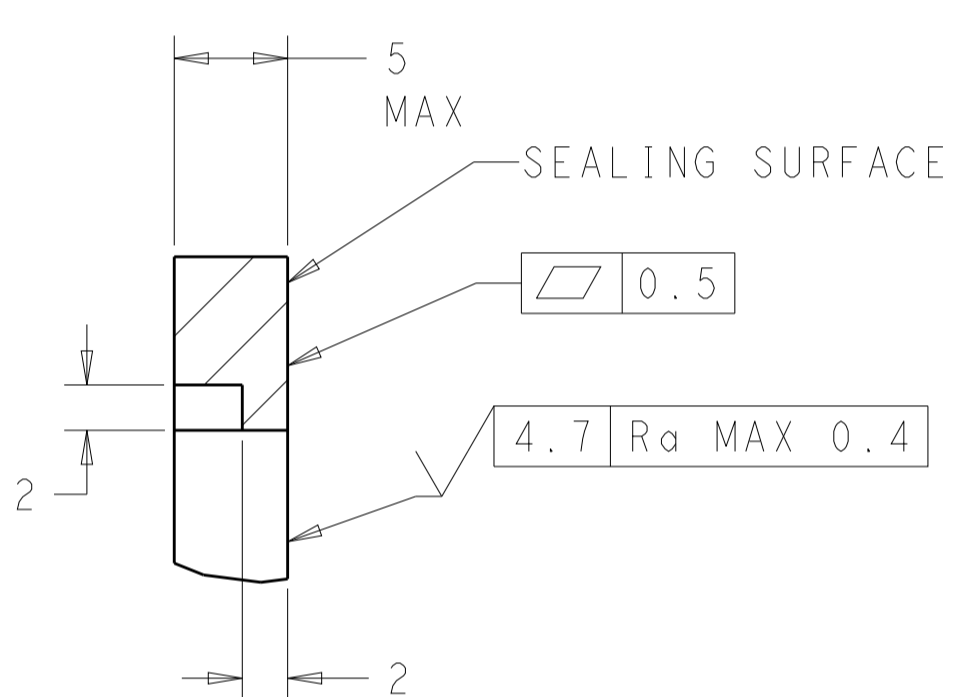


RECOMMENDED MOUNTING HOLE LAYOUT FOR 5.0 MAX THICK PANEL

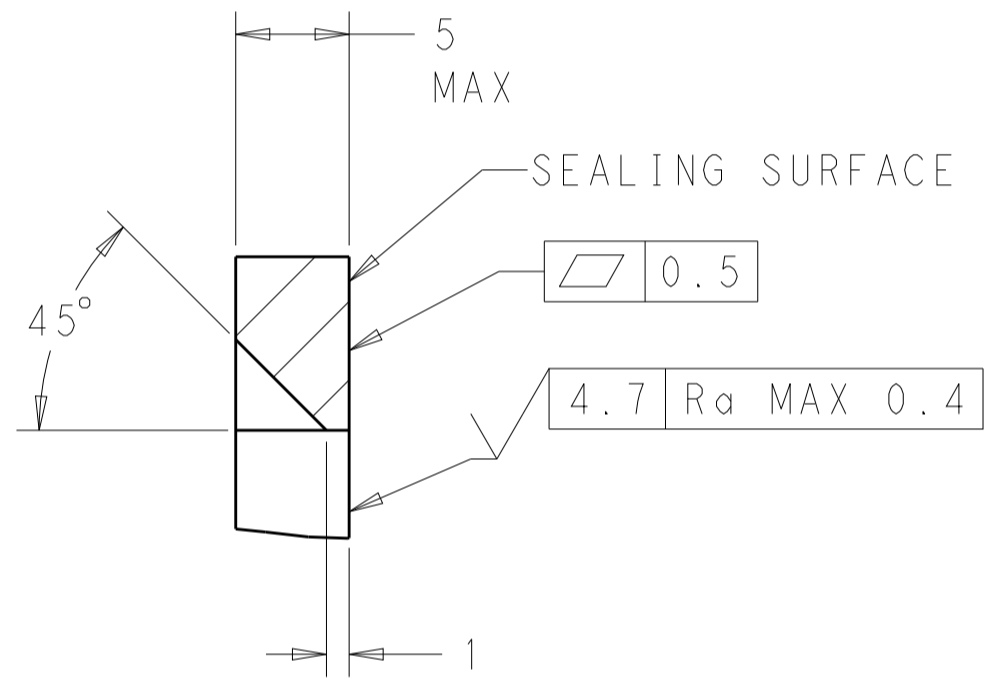


SCALE 2:1

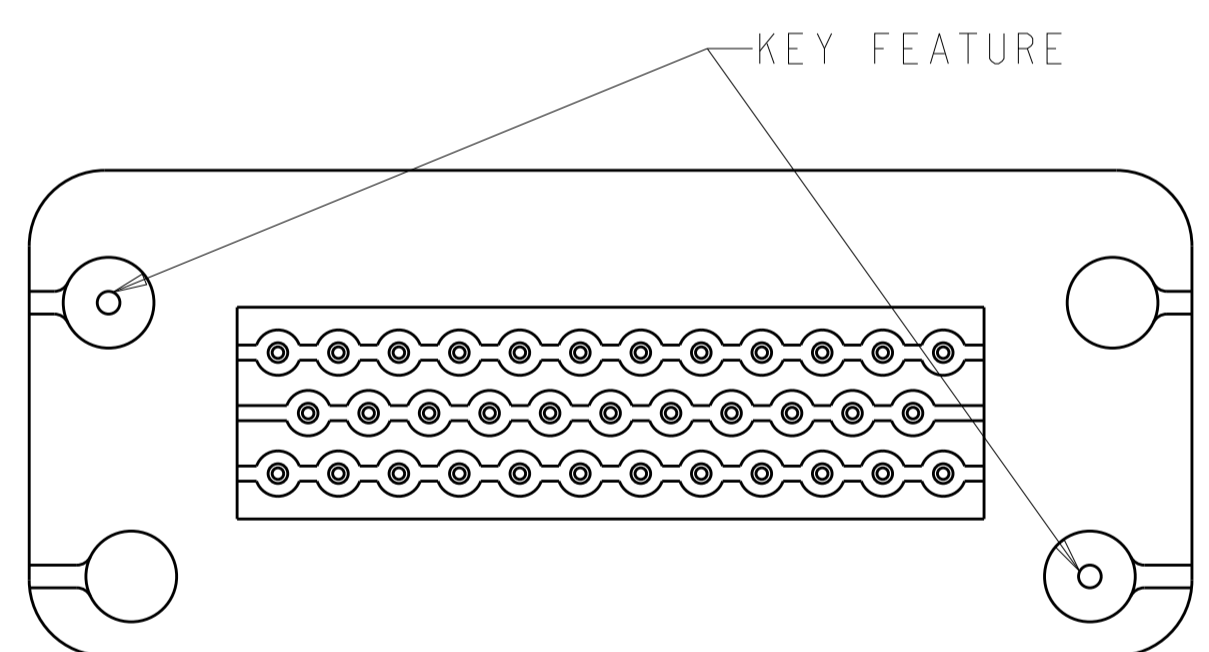
MOUNTING SCREW (4)
 TORQUE TO 0.6N-m TO 0.8N-m



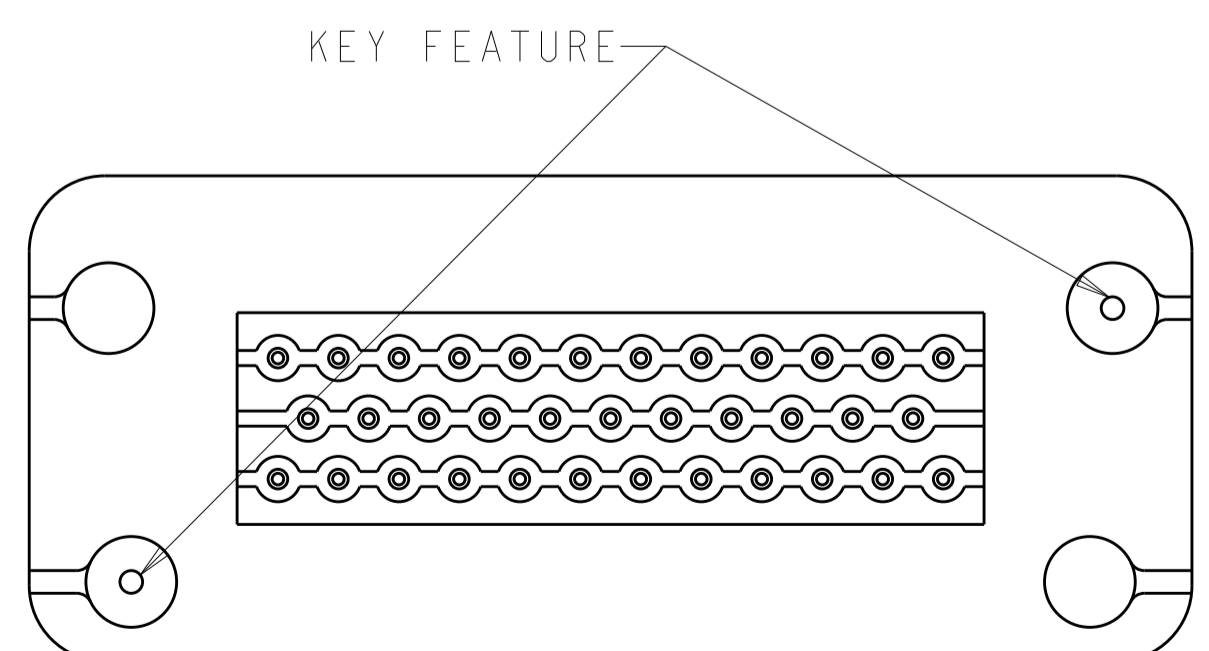
SECTION A-A
 OPTIONAL CONSTRUCTION IF PANEL THICKNESS IS GREATER THAN 2.0



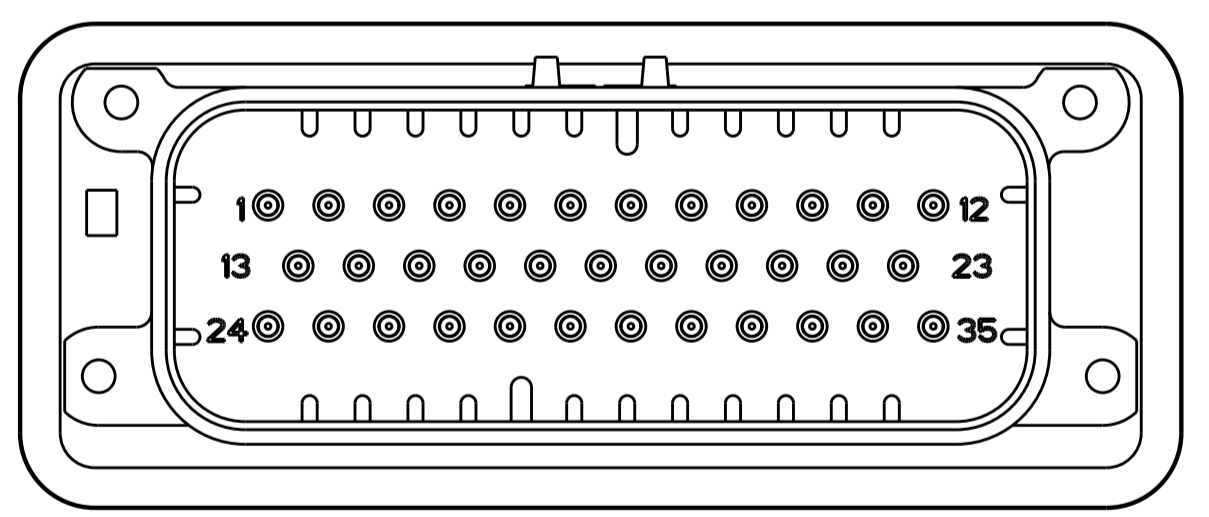
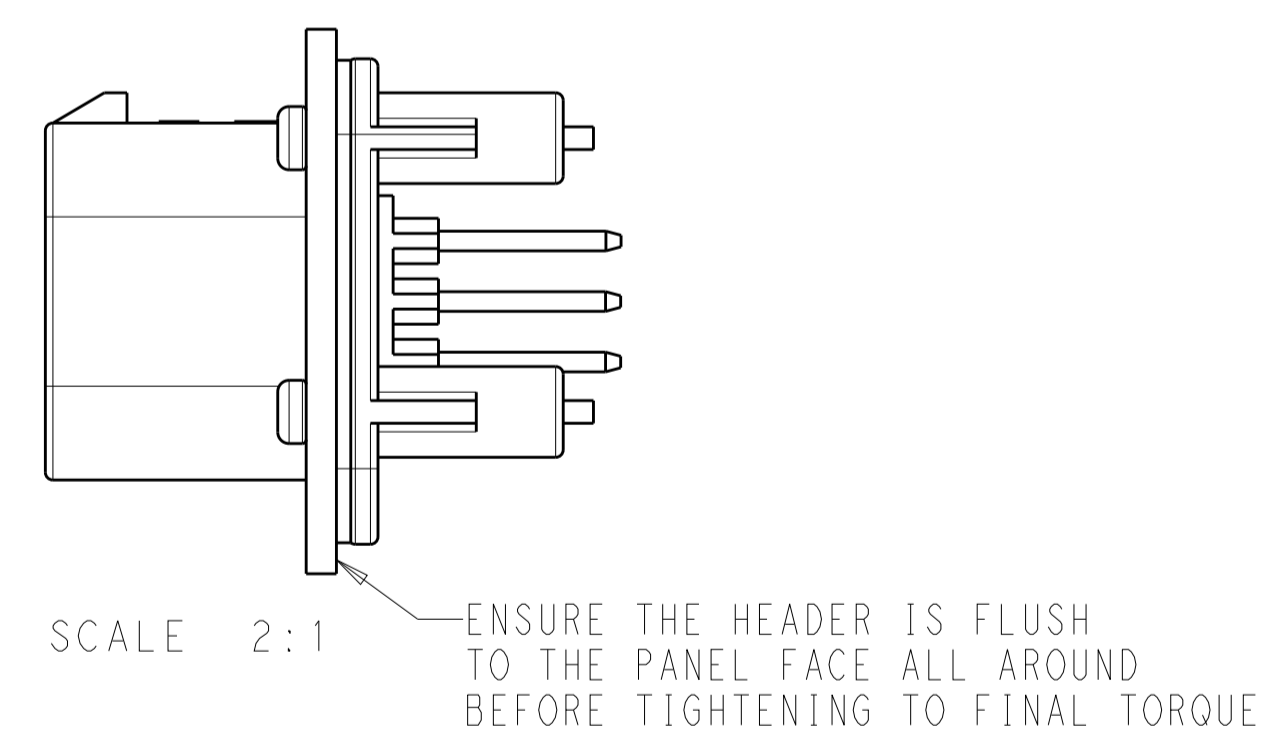
SECTION A-A
 OPTIONAL CONSTRUCTION IF PANEL THICKNESS IS GREATER THAN 2.0



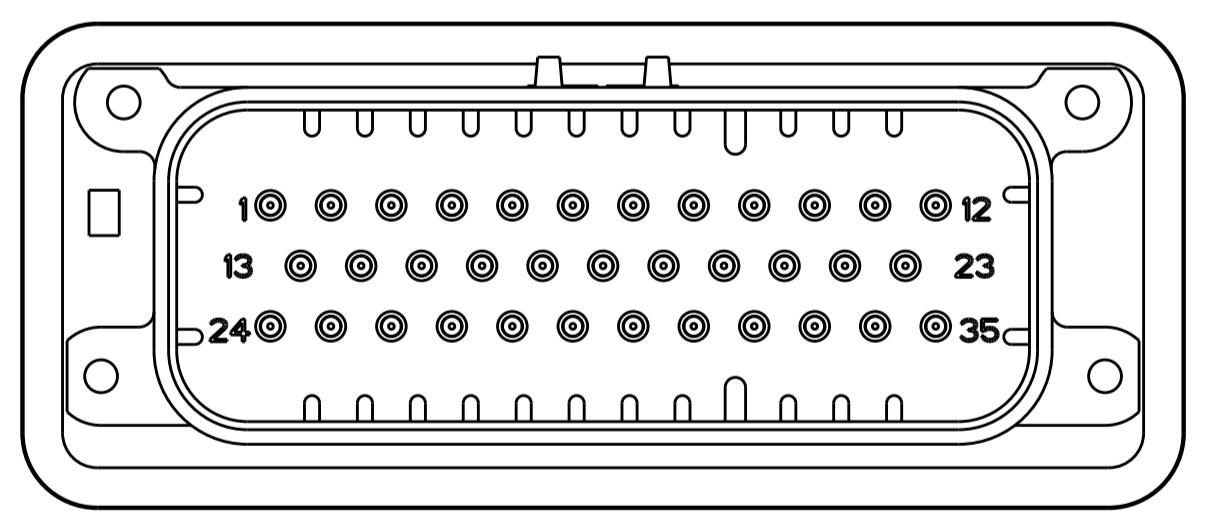
KEYING FOR 776231-1, 1-776231-1, 776231-4, 1-776231-4 AND 1-776231-6
 SCALE 2:1



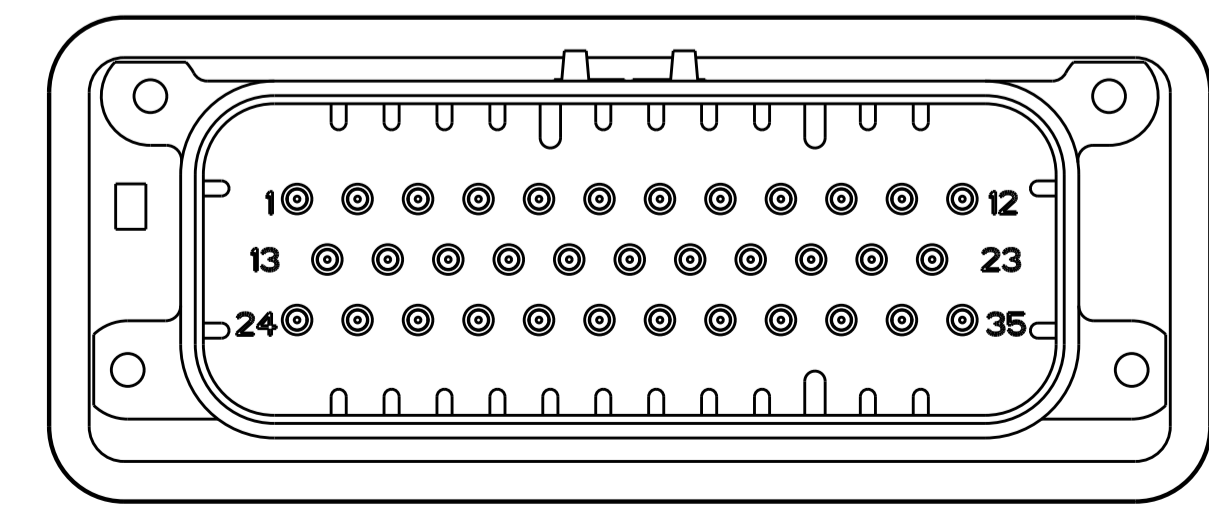
KEYING FOR 776231-2, 1-776231-2, 776231-5 AND 1-776231-5
 SCALE 2:1



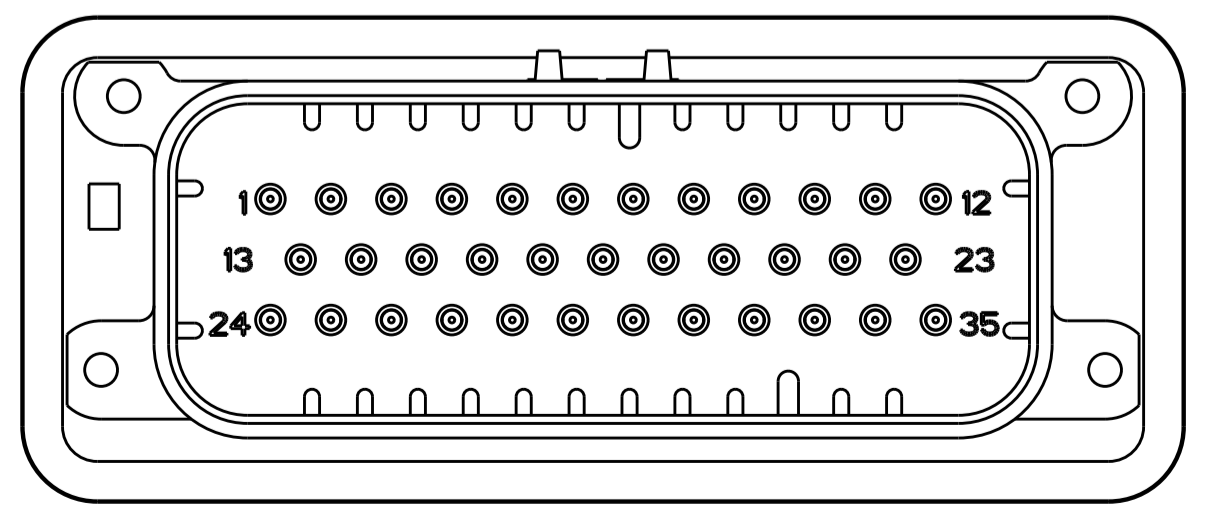
776231-2 & 1-776231-2
 KEY LOCATION
 SCALE 2:1



776231-4 & 1-776231-4
 KEY LOCATION
 SCALE 2:1



776231-5 & 1-776231-5
 KEY LOCATION
 SCALE 2:1



1-776231-6
 KEY LOCATION
 SCALE 2:1

THIS DRAWING IS A CONTROLLED DOCUMENT.		OWN: D. STRAUSSER 05MAR2010	TE Connectivity	
DIMENSIONS:		CHK: D. STRAUSSER 22MAR2010	NAME: ASSEMBLY, HEADER, 35 POSITION, VERTICAL, AMPSEAL WITH FLANGE SEAL	
mm	TOLERANCES UNLESS OTHERWISE SPECIFIED:	APVD: D. STRAUSSER 27APR2010	PRODUCT SPEC: 108-1329	RESTRICTED TO: -
	0 PLC ±	APPLICATION SPEC: 114-16016	SIZE: A1	SCALE: 1:1
	1 PLC ±0.2	WEIGHT: 40.29g	CAGE CODE: 776231	SHEET 2 OF 2
	2 PLC ±	CUSTOMER DRAWING	REV: A16	
	3 PLC ±			
	4 PLC ±			
	ANGLES ±			
	FINISH ±			

单击下面可查看定价，库存，交付和生命周期等信息

[>>TE Connectivity\(泰科\)](#)