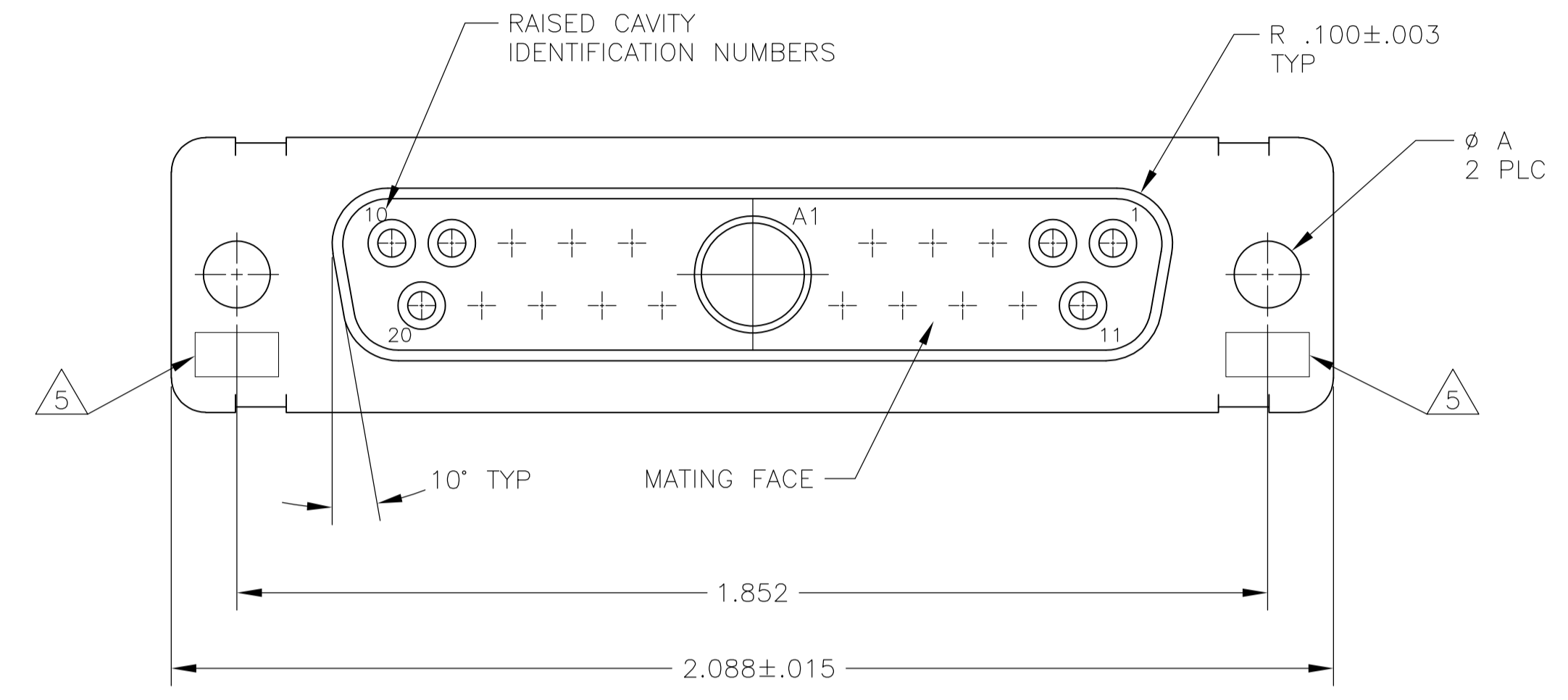
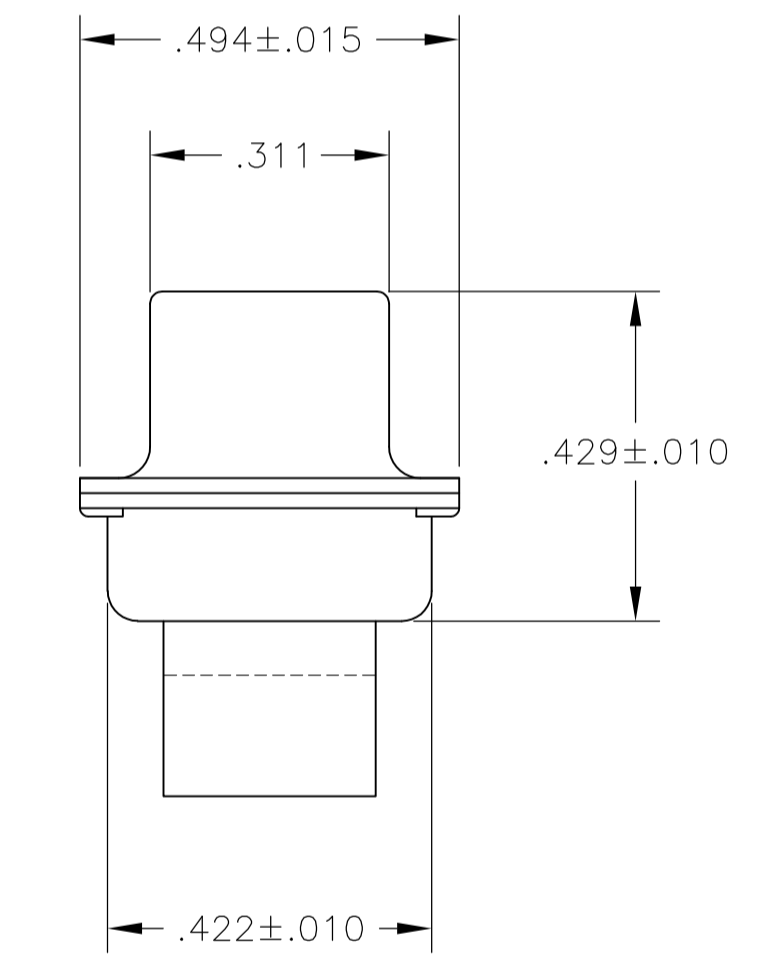
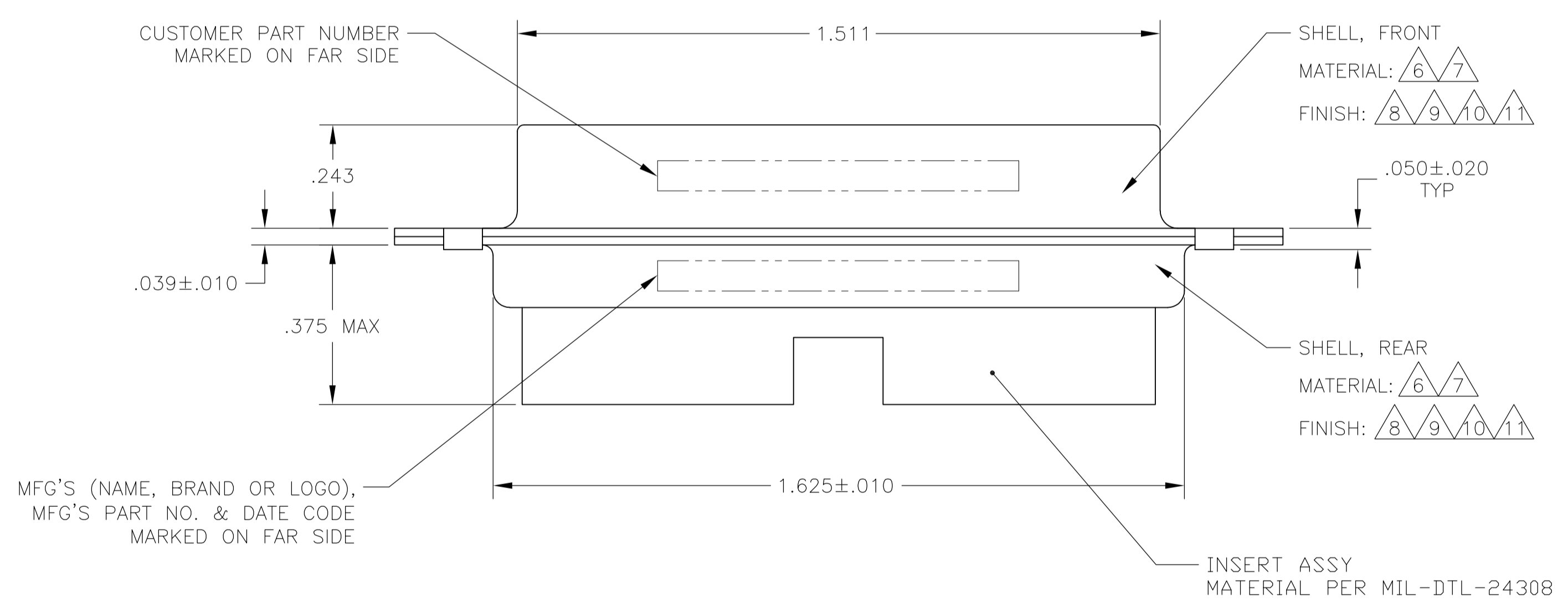


REVISONS		DATE	DNW	APVD
LOC	DIST	DESCRIPTION		
V		REV PER ECO-15-016251	13NOV15	KG CD



- THIS RECEPTACLE WILL MATE WITH ANY 21C1, SIZE 3 PLUG IN AMPLIMITE SERIES.
  - MAXIMUM WIRE INSULATION TO BE USED WITH THIS RECEPTACLE IS Ø.068.
  - THIS CONNECTOR ACCEPTS (1) SIZE 8 POWER OR COAX SOCKET CONTACT IN POSITION A1, PURCHASED SEPARATELY.
  - THIS CONNECTOR ACCEPTS SIZE 20 SOCKET SIGNAL CONTACTS IN POSITIONS 1 THRU 20, PURCHASED SEPARATELY.
- 5 UL/CSA DESIGNATION STAMPED IN THIS AREA, OPTIONAL.
  - 6 STEEL PER ASTM-A-109.
  - 7 BRASS PER MIL-C-50 AND ASTM-B-36 UNS NO. C26000.
  - 8 FINISH: CADMIUM PLATED PER QQ-P-416.
  - 9 FINISH: GOLD PLATED PER MIL-G-45204 TYPE II, GRADE C, CLASS 1 OVER COPPER PER MIL-C-14550, CLASS IV.
  - 10 FINISH: TIN PER ASTM-B-545 .000400 MIN THK OVER COPPER PER AMS2418 .000050 MIN THK.
  - 11 FINISH: ZINC PLATE PER ASTM-B-633 .000200-.000400 THK WITH SUPPLEMENTARY CHROMATE (Cr3+).



6 8	.120	T5935-0103-001	212526-7
6 10	.120	-	5-212526-2
6 11	.120	-	5-212526-1
6 10	.120	-	212526-6
7 9	.120	B010942-0040	212526-5
7 9	.154	311P405-14S-B-15	212526-4
7 9	.120	311P405-14S-B-12	212526-3
6 10	.120	-	212526-2
6 8	.120	-	212526-1
REMARKS	Ø A	CUSTOMER P/N	PART NO.

THIS DRAWING IS A CONTROLLED DOCUMENT.

DIMENSIONS: INCHES	TOLERANCES UNLESS OTHERWISE SPECIFIED:	DIN C.C.THOMAS 05FEB05	DRW A.FMADI 08FEB05	APVD A.FMADI 08FEB05	NAME
0 PLC ± -	1 PLC ± -	2 PLC ± -	3 PLC ± .005	4 PLC ± -	ANGLES ± 0° 30'
MATERIAL SEE CALLOUTS	FINISH SEE CALLOUTS	WEIGHT	SIZE A1	CAGE CODE 00779	DRAWING NO. 212526
CUSTOMER DRAWING		SCALE 4:1	SHEET 1 OF 1	REV V	RESTRICTED TO

STE TE Connectivity  
 RECEPTACLE ASSEMBLY, AMPLIMITE, 21C1  
 SIZE 3, SERIES 109, COAX MIX

单击下面可查看定价，库存，交付和生命周期等信息

[>>TE Connectivity\(泰科\)](#)