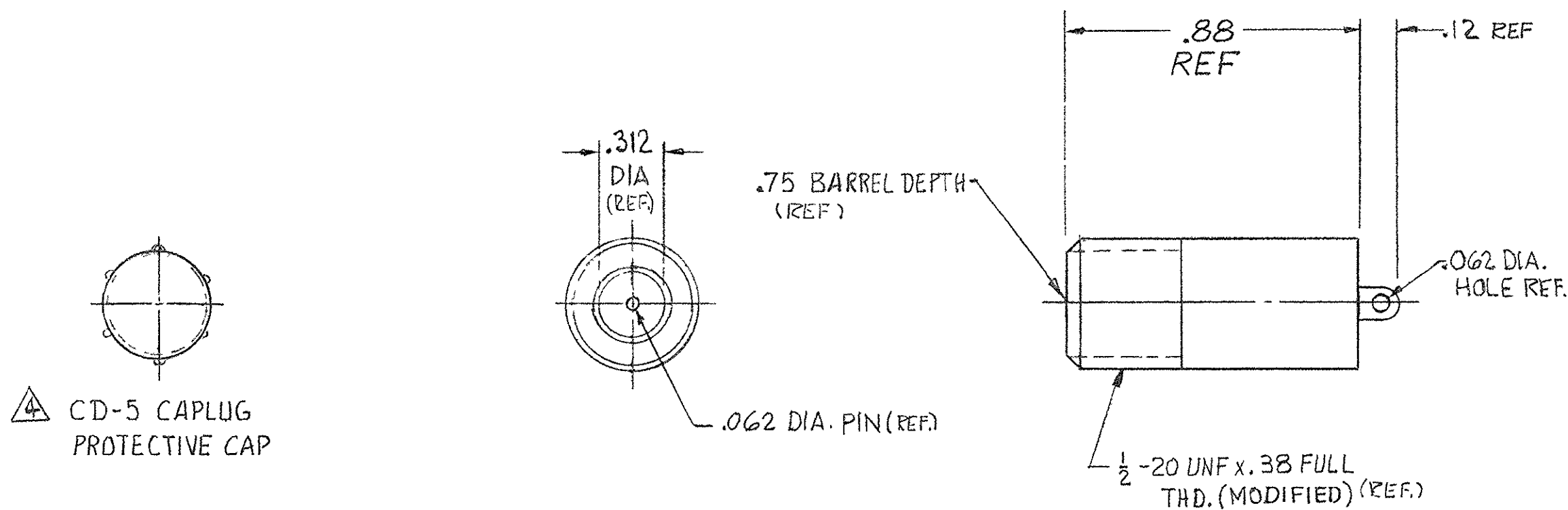


THIS DRAWING IS UNPUBLISHED. RELEASED FOR PUBLICATION . 19 .
 © COPYRIGHT 19 BY AMP INCORPORATED, HARRISBURG, PA. ALL INTERNATIONAL RIGHTS RESERVED. AMP PRODUCTS MAY BE COVERED BY U.S. AND FOREIGN PATENTS AND/OR PATENTS PENDING.

REVISIONS						
P	F	ZONE	LTR	DESCRIPTION	DATE	APPROVED
0			0	RELEASED	9-26-84	W. J. [Signature]
✓			A	REV PER ECN DF-3944	10-25-10	[Signature]
			B	REV PER OH14-0192-05	1-06	RY



△ CD-5 CAPLUG PROTECTIVE CAP

1. RECEPTACLE TO MATE WITH AMP LGH-1 LEAD ASSEMBLY, AVAILABLE SEPARATELY.

2. MARK PER MIL-STD-130

3. SPECIAL HANDLING REQUIREMENTS

MARKING: MARK EACH END ITEM WITH THE CUSTOMER PART NUMBER.

PACKAGING: MARK EACH SHIPPING CONTAINER WITH:

- A. CUSTOMER P/N
- B. AMP LOGO & P/N
- C. P.O. NUMBER.
- D. DATE CODE & NUMBER OF PIECES.

△ PROTECTIVE CAP REQ'D. ON THREADS BEFORE SHIPPING

	RECEPTACLE - TIN PLATED PIN	5-868207-1
97942-13BC327H01	RECEPTACLE - TIN LEAD PLATED PIN	868207-1
CUSTOMER PART NO	DESCRIPTION	PART NO
UNLESS OTHERWISE SPECIFIED DIMENSIONS ARE IN INCHES TOLERANCES ON: DECIMALS .06 ± .02 ANGLES ± °	CONTRACT NO	AMP INCORPORATED Harrisburg, Pa. 17105 NAME LGH-1 RECEPTACLE
	DR Kil Freeman 9-26-84	
MATERIAL GLASS EPOXY MOLDED	APPD W. J. [Signature] 9-27-84	
FINISH #	OTHER APPD	
	DSGN APPD	SIZE C FSCM NO 00779 DRAWING NO 868207
		SCALE NTS SHEET 1/1

单击下面可查看定价，库存，交付和生命周期等信息

[>>TE Connectivity\(泰科\)](#)